



MEAS | MEAS M5600

TE Internal #: 10202002-00

TE Internal Description: PRESS XDCCR M5600-000005-01KPG

Wireless Pressure Transducer

[View on TE.com >](#)

Sensors > Pressure Sensors > Pressure Transducers > Wireless Pressure Transducer



Pressure Transducer Sensor Type: **Wireless Pressure Transducer**

Pressure Range: **0 – 70 bar**

Pressure Type: **Gauge**

Pressure Transducer Supply Voltage: **2.7 V**

Output/Span: **Bluetooth**

[All Wireless Pressure Transducer \(16\)](#)

## Features

### Product Type Features

Pressure Transducer Sensor Type	Wireless Pressure Transducer
Pressure Type	Gauge

### Configuration Features

Electrical Connection	No Connector
Pressure Port/Fitting	1/4 MNPT

### Electrical Characteristics

Pressure Transducer Supply Voltage	2.7 V
------------------------------------	-------

### Dimensions

Dimensions	24 x 24 x 69 mm [.94 x .94 x 2.71 in]
------------	---------------------------------------

### Usage Conditions

Pressure	68.94 bar [1000 psi]
Operating Temperature Range	-20 – 85 °C [-4 – 185 °F]

### Operation/Application

Proof Pressure Range	2X Rated
Pressure Range	0 – 70 bar
Output/Span	Bluetooth

Pressure Accuracy

±0.25% FSO

### Other

Sensor Options

IP67 Protection

## Product Compliance

For compliance documentation, visit the product page on [TE.com](https://www.te.com)>

EU RoHS Directive 2011/65/EU

Compliant

EU ELV Directive 2000/53/EC

Out of Scope

China RoHS 2 Directive MIIT Order No 32, 2016

No Restricted Materials Above Threshold

EU REACH Regulation (EC) No. 1907/2006

Current ECHA Candidate List: JUNE 2023 (235)  
 Candidate List Declared Against: JUN 2020 (209)  
 SVHC > Threshold:  
 Dodecamethylcyclohexasiloxane (D6) (.85% in 736 RED GLUE)

**Article Safe Usage Statements:**  
 Wash thoroughly after handling. Recycle if possible and dispose of the article by following all applicable governmental regulations relevant to your geographic location.

Halogen Content

Not Yet Reviewed for halogen content

Solder Process Capability

Not reviewed for solder process capability

### Product Compliance Disclaimer

This information is provided based on reasonable inquiry of our suppliers and represents our current actual knowledge based on the information they provided. This information is subject to change. The part numbers that TE has identified as EU RoHS compliant have a maximum concentration of 0.1% by weight in homogenous materials for lead, hexavalent chromium, mercury, PBB, PBDE, DBP, BBP, DEHP, DIBP, and 0.01% for cadmium, or qualify for an exemption to these limits as defined in the Annexes of Directive 2011/65/EU (RoHS2). Finished electrical and electronic equipment products will be CE marked as required by Directive 2011/65/EU. Components may not be CE marked. Additionally, the part numbers that TE has identified as EU ELV compliant have a maximum concentration of 0.1% by weight in homogenous materials for lead, hexavalent chromium, and mercury, and 0.01% for cadmium, or qualify for an exemption to these limits as defined in the Annexes of Directive 2000/53/EC (ELV). Regarding the REACH Regulation, the information TE provides on SVHC in articles for this part number is based on the latest European Chemicals Agency (ECHA) 'Guidance on requirements for substances in articles' posted at this URL: <https://echa.europa.eu/guidance-documents/guidance-on-reach>

## Compatible Parts



## Also in the Series | MEAS M5600



Pressure Transducers(16)

## Customers Also Bought



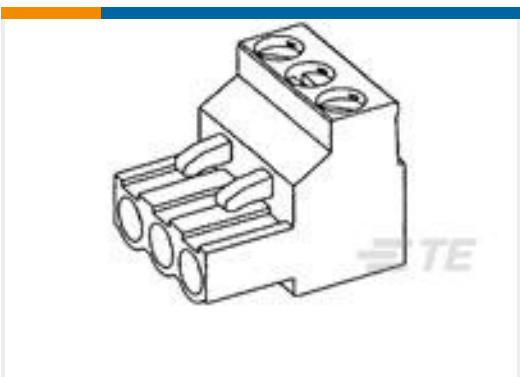
TE Part #SGD-120-3  
STRING POT, 120 INCH RANGE



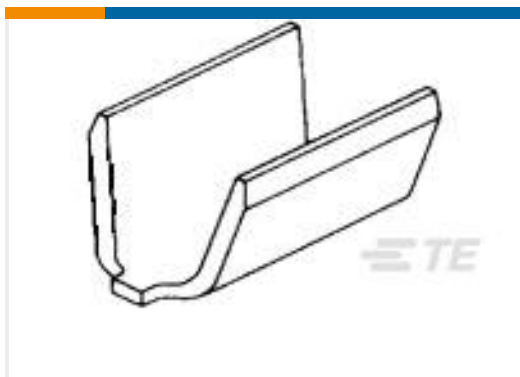
TE Part #DTM06-3S-E007  
PLG, 3P, GRY, N, XCAP



TE Part #WM-3P  
DEUTSCH DTM Wedgelocks



TE Part #796634-4  
4 POS 5.08MM R/A PLUG, TRM BLK



TE Part #60932-2  
SPLICE 2500-4700 .020 TPST



TE Part #DT06-2S-C017  
PLG, 2P, GRY, BLOCKED



TE Part #NB10132001  
ATUM-24/6-0-STK



TE Part #83-132488-000  
83-132488-000

## Documents

### CAD Files

3D PDF

3D

### Customer View Model

[ENG\\_CVM\\_CVM\\_10202002-00\\_C.2d\\_dxf.zip](#)

English

### Customer View Model

[ENG\\_CVM\\_CVM\\_10202002-00\\_C.3d\\_igs.zip](#)

English

### Customer View Model

[ENG\\_CVM\\_CVM\\_10202002-00\\_C.3d\\_stp.zip](#)

English

By downloading the CAD file I accept and agree to the [Terms and Conditions](#) of use.

## Datasheets & Catalog Pages



M5600

English

---

**Product Specifications**

**Purchase Specification**

English