

100605-7 ✓ ACTIVE

FASTON | FASTON 250

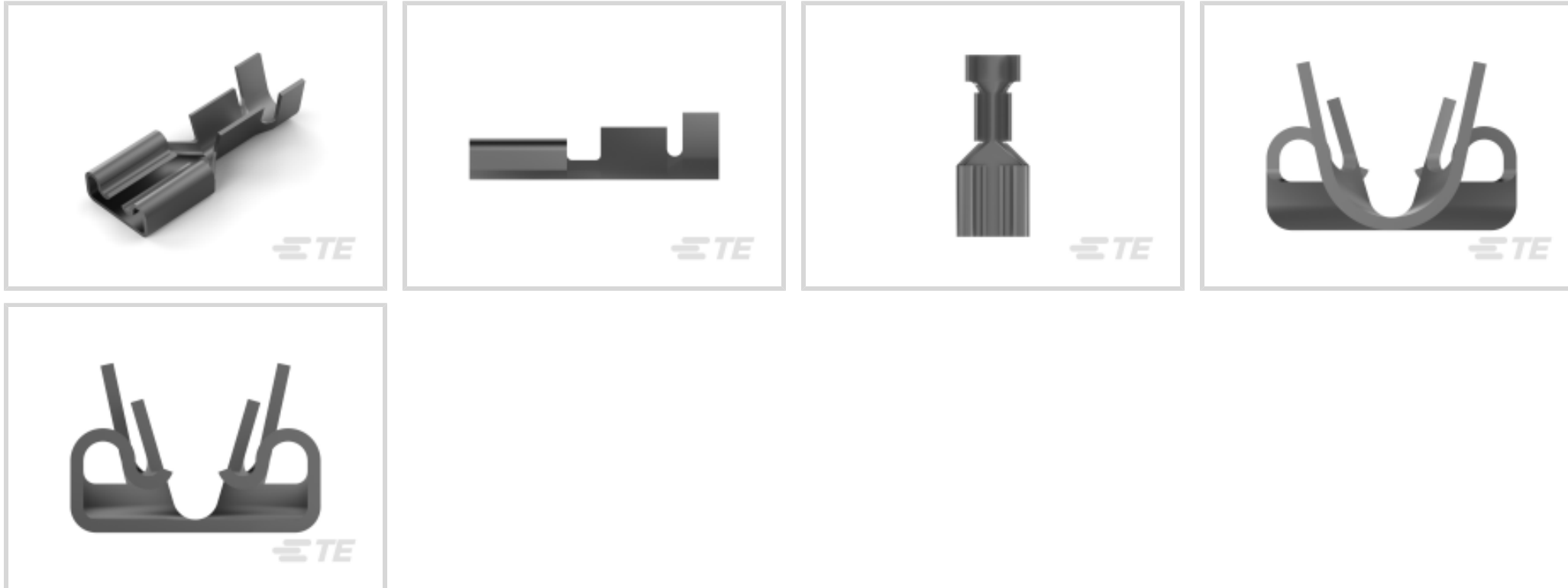
TE Internal #: 100605-7

Quick Disconnects, Receptacle, 17 – 13 AWG Wire Size, 1.03 – 2.62 mm<sup>2</sup> Wire Size, Mating Tab Width 6.35 mm [.25 in], Straight, FASTON 250

[View on TE.com >](#)



Terminals & Splices > Quick Disconnects



Quick Disconnect Terminal Type: **Receptacle**

Wire Size: 1.03 – 2.62 mm<sup>2</sup>

Mating Tab Width: 6.35 mm [.25 in]

Mating Tab Thickness: .81 mm [.032 in]

## Features

### Product Type Features

Insertion Force	Low
-----------------	-----

### Configuration Features

Connection Capacity	Single
Compatible With Wire & Cable Type	Discrete Wire

### Contact Features

Quick Disconnect Terminal Type	Receptacle
Mating Tab Width	6.35 mm [.25 in]
Mating Tab Thickness	.81 mm [.032 in]
Terminal Orientation	Straight
Contact Base Material	Phosphor Bronze
Terminal Plating Material	Tin
Crimp Type	F-Crimp
Barrel Type	Open

### Termination Features

--	--



Product Terminates To	Wire & Cable
-----------------------	--------------

### Mechanical Attachment

Wire Insulation Support	With
Mating Retention Type	Dimple

### Dimensions

Terminal Material Thickness	.41 mm[.016 in]
Product Length	21.4 mm[.843 in]
Compatible Insulation Diameter Range	3.1 – 4.3 mm[.12 – .17 in]
Wire Size	1.03 – 2.62 mm <sup>2</sup>

### Usage Conditions

Insulation Option	Uninsulated
Operating Temperature Range	-40 – 110 °C[-40 – 230 °F]

### Industry Standards

Agency/Standard	CSA, UL
-----------------	---------

### Packaging Features

Packaging Quantity	6000
Packaging Method	Strip/Reel

### Product Compliance

[For compliance documentation, visit the product page on TE.com>](#)

EU RoHS Directive 2011/65/EU	Compliant
EU ELV Directive 2000/53/EC	Compliant
China RoHS 2 Directive MIIT Order No 32, 2016	No Restricted Materials Above Threshold
EU REACH Regulation (EC) No. 1907/2006	Current ECHA Candidate List: JUNE 2023 (235) Candidate List Declared Against: JUNE 2023 (235) Does not contain REACH SVHC
Halogen Content	Low Halogen - Br, Cl, F, I < 900 ppm per homogenous material. Also BFR/CFR/PVC Free
Solder Process Capability	Not applicable for solder process capability

Product Compliance Disclaimer



This information is provided based on reasonable inquiry of our suppliers and represents our current actual knowledge based on the information they provided. This information is subject to change. The part numbers that TE has identified as EU RoHS compliant have a maximum concentration of 0.1% by weight in homogenous materials for lead, hexavalent chromium, mercury, PBB, PBDE, DBP, BBP, DEHP, DIBP, and 0.01% for cadmium, or qualify for an exemption to these limits as defined in the Annexes of Directive 2011/65/EU (RoHS2). Finished electrical and electronic equipment products will be CE marked as required by Directive 2011/65/EU. Components may not be CE marked. Additionally, the part numbers that TE has identified as EU ELV compliant have a maximum concentration of 0.1% by weight in homogenous materials for lead, hexavalent chromium, and mercury, and 0.01% for cadmium, or qualify for an exemption to these limits as defined in the Annexes of Directive 2000/53/EC (ELV). Regarding the REACH Regulation, the information TE provides on SVHC in articles for this part number is based on the latest European Chemicals Agency (ECHA) 'Guidance on requirements for substances in articles' posted at this URL: <https://echa.europa.eu/guidance-documents/guidance-on-reach>

## Compatible Parts

TE Part # 1-100645-3  
250 FASTON,REC.,14-17AWG, PHBZ

TE Part # 160862-8  
FF FAH STECKH 8,0

TE Part # 2150234-1  
OCEAN\_2.0\_APPLICATOR-E-110F180F

TE Part # 2150234-2  
OCEAN\_2.0\_APPLICATOR-E-110F180F

TE Part # 7-2150234-1  
OCEAN\_2.0\_APPLICATOR-E-110F180F

TE Part # 7-2150234-2  
OCEAN\_2.0\_APPLICATOR-E-110F180F

TE Part # 7-2150234-7  
OCEAN\_2.0\_SPARE\_PART\_KIT-110F180F

TE Part # 2-2150234-2  
OCEAN\_2.0\_APPLICATOR-E-110F180F

## Also in the Series | FASTON 250

Compression Connectors(4)

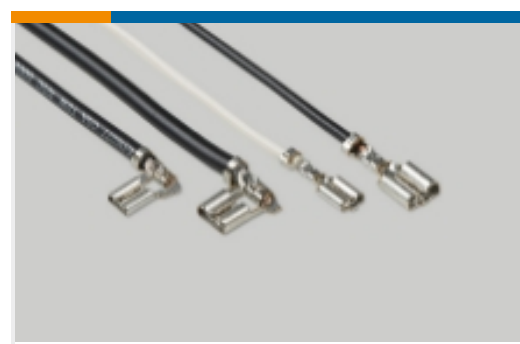
Crimp Terminal Housings(142)

Insertion & Extraction Tools(6)

Magnet Wire Terminals(1)



PCB Terminals(135)

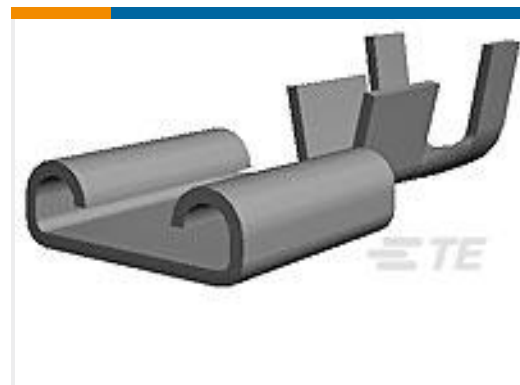
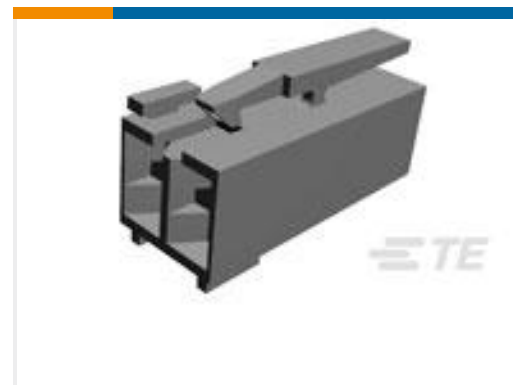


Quick Disconnects(445)



Splices(4)

## Customers Also Bought

TE Part #926868-1  
UNIV.M-N-L.PINTE Part #2-160256-2  
250 FASTON,REC.,17-14 AWG,TPBRTE Part #8-1241961-2  
STD TIM HOUSING MKII 2POSTE Part #3-1534796-4  
AMP DUOPLUG MK2 CONNECTOR  
4P STE Part #3-1534796-3  
AMP DUOPLUG MK2 CONNECTOR 3PTE Part #3-1534798-3  
AMP DUOPLUG MK2 CONNECTOR  
3P SELECTIVETE Part #1534077-3  
MULTIFIT MK2ASSY 3P,IRTE Part #926539-1  
250 FASTON HSG. REC. 1P NATURAL

## Documents

### Product Drawings

250 FASTON,REC.,14-17AWG,TPS

English

### CAD Files

Customer View Model

[ENG\\_CVM\\_CVM\\_100605-7\\_F.2d\\_dxf.zip](#)

English

3D PDF

3D

Customer View Model

[ENG\\_CVM\\_CVM\\_100605-7\\_F.3d\\_igs.zip](#)

English

Customer View Model

[ENG\\_CVM\\_CVM\\_100605-7\\_F.3d\\_stp.zip](#)

English

By downloading the CAD file I accept and agree to the [Terms and Conditions](#) of use.



---

**Datasheets & Catalog Pages**

[1654742\\_HOUSEHOLD\\_APPLIANCES\\_RAST5](#)

English

---

**Product Specifications**

[Application Specification](#)

English

---

**Product Environmental Compliance**

[Product Compliance](#)

English

[Product Compliance](#)

English