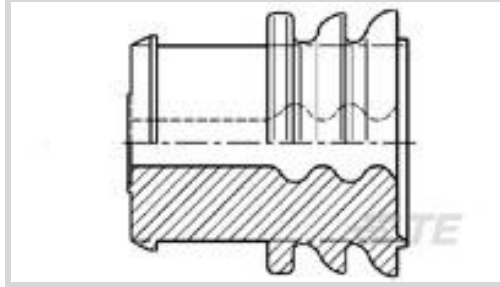




Connectors > Connector Accessories > Connector Seals & Cavity Plugs



Connector Seal & Plug Type: **Cavity Blanking Plug**

Primary Product Color: **Black**

Operating Temperature (Max): 65 °C, 70 °C, 75 °C, 80 °C, 85 °C, 90 °C, 100 °C, 105 °C, 110 °C, 120 °C, 125 °C, 130 °C [ 149 °F, 158 °F, 167 °F, 176 °F, 185 °F, 194 °F, 212 °F, 221 °F, 230 °F, 248 °F, 257 °F, 266 °F ]

Operating Temperature Range: -40 – 130 °C [-40 – 266 °F]

## Features

### Product Type Features

Connector Seal & Plug Type	Cavity Blanking Plug
----------------------------	----------------------

### Body Features

Primary Product Color	Black
-----------------------	-------

### Usage Conditions

Operating Temperature (Max)	65 °C, 70 °C, 75 °C, 80 °C, 85 °C, 90 °C, 100 °C, 105 °C, 110 °C, 120 °C, 125 °C, 130 °C [149 °F][158 °F][167 °F][176 °F][185 °F][194 °F][212 °F][221 °F][230 °F][248 °F][257 °F][266 °F]
Operating Temperature Range	-40 – 130 °C[-40 – 266 °F]

### Packaging Features

Packaging Quantity	5000
Packaging Method	Carton

## Product Compliance

[For compliance documentation, visit the product page on TE.com>](#)

EU RoHS Directive 2011/65/EU	Compliant
EU ELV Directive 2000/53/EC	Compliant
China RoHS 2 Directive MIIT Order No 32, 2016	No Restricted Materials Above Threshold
EU REACH Regulation (EC) No. 1907/2006	Current ECHA Candidate List: JUNE 2023 (235)

Candidate List Declared Against: JUNE 2023 (235)

Does not contain REACH SVHC

Halogen Content

Low Halogen - Br, Cl, F, I < 900 ppm per homogenous material. Also BFR/CFR/PVC Free

Solder Process Capability

Not applicable for solder process capability

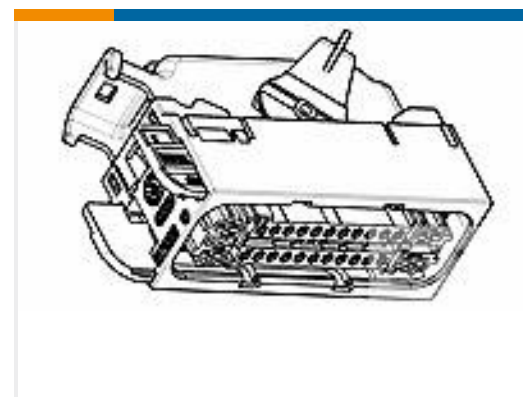
Product Compliance Disclaimer

This information is provided based on reasonable inquiry of our suppliers and represents our current actual knowledge based on the information they provided. This information is subject to change. The part numbers that TE has identified as EU RoHS compliant have a maximum concentration of 0.1% by weight in homogenous materials for lead, hexavalent chromium, mercury, PBB, PBDE, DBP, BBP, DEHP, DIBP, and 0.01% for cadmium, or qualify for an exemption to these limits as defined in the Annexes of Directive 2011/65/EU (RoHS2). Finished electrical and electronic equipment products will be CE marked as required by Directive 2011/65/EU. Components may not be CE marked. Additionally, the part numbers that TE has identified as EU ELV compliant have a maximum concentration of 0.1% by weight in homogenous materials for lead, hexavalent chromium, and mercury, and 0.01% for cadmium, or qualify for an exemption to these limits as defined in the Annexes of Directive 2000/53/EC (ELV). Regarding the REACH Regulation, the information TE provides on SVHC in articles for this part number is based on the latest European Chemicals Agency (ECHA) 'Guidance on requirements for substances in articles' posted at this URL: <https://echa.europa.eu/guidance-documents/guidance-on-reach>

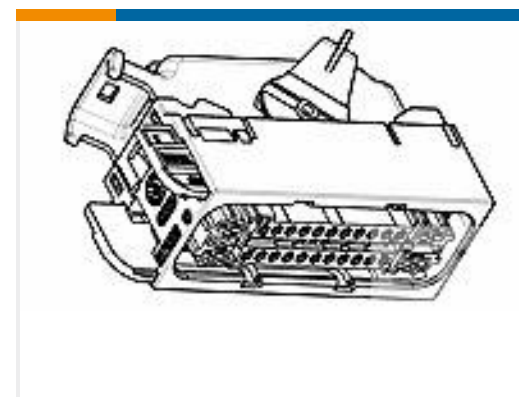
## Compatible Parts



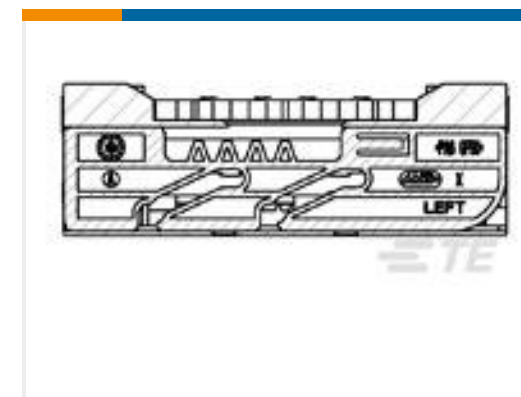
TE Part # CAT-T4827-CH8172  
Timer Connector Housing



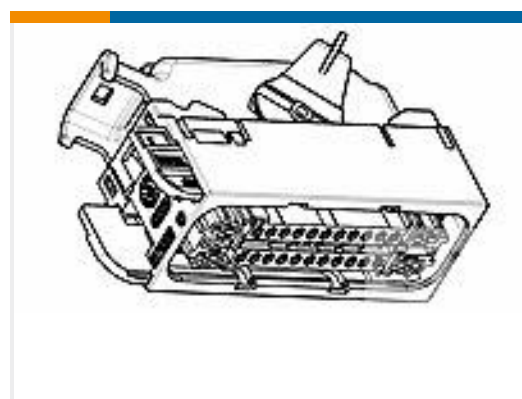
TE Part # 1-1379208-1  
26W ASSY RECEPTACLE HSG



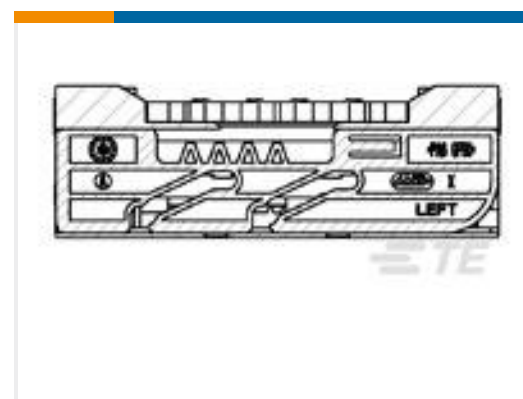
TE Part # 1379208-3  
26W ASSY RECEPTACLE HSG



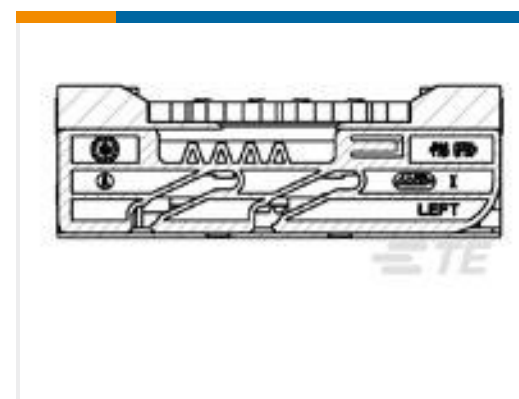
TE Part # 953756-1  
47W RCPT HSG ASSY



TE Part # 1379208-4  
26W ASSY RECEPTACLE HSG

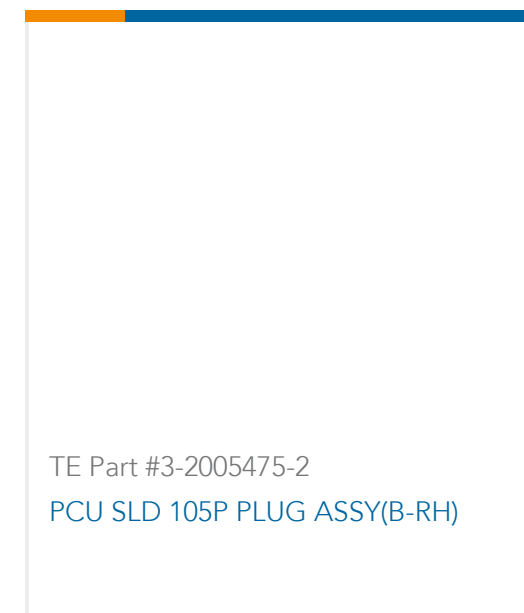


TE Part # 953756-7  
47W RCPT HSG ASSY



TE Part # 953756-9  
47W RCPT HSG ASSY

## Customers Also Bought



## Documents

### Product Drawings

#### CAVITY PLUG

English

### CAD Files

#### Customer View Model

[ENG\\_CVM\\_100132-1\\_A3.3d\\_igs.zip](#)

English

#### Customer View Model

[ENG\\_CVM\\_100132-1\\_A3.3d\\_stp.zip](#)

English

#### Customer View Model

[ENG\\_CVM\\_100132-1\\_A3.2d\\_dxf.zip](#)

English

### 3D PDF

English

By downloading the CAD file I accept and agree to the [Terms and Conditions](#) of use.

### Product Specifications

#### Application Specification

French

### Instruction Sheets

#### Instruction Sheet (non U.S.)

French