

1-967628-6 ✓ ACTIVE



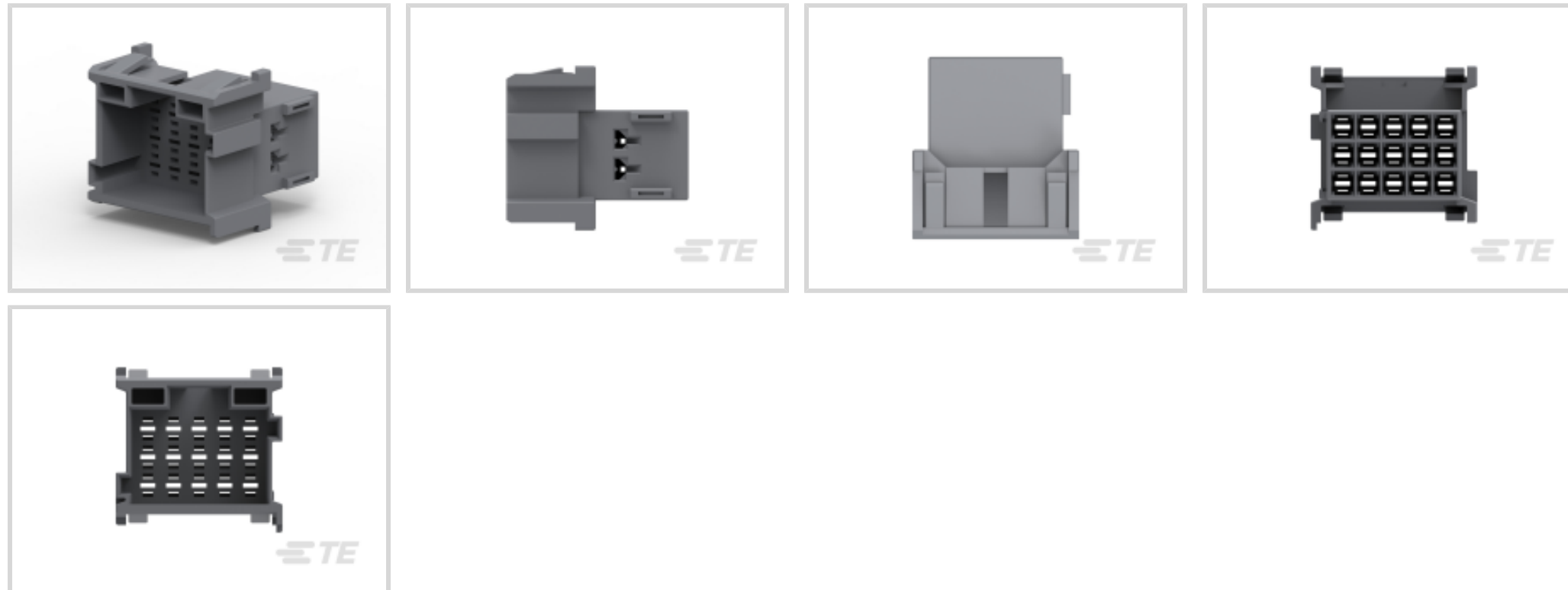
## Timer Connector System

TE Internal #: 1-967628-6

Housing for Male Terminals, Wire-to-Wire, 15 Position, .197 in [5 mm] Centerline, Gray, Signal, Panel Mount, Timer Connector System

[View on TE.com >](#)

Connectors > Automotive Connectors > Automotive Housings > Timer Connector Housing



Connector System: **Wire-to-Wire**

Number of Positions: **15**

Connector & Housing Type: **Housing for Male Terminals**

Centerline (Pitch): **5 mm [ .197 in ]**

Sealable: **No**

[All Timer Connector Housing \(585\)](#)

## Features

### Product Type Features

Mixed & Hybrid Connector	No
Connector Shape	Rectangular
Connector System	Wire-to-Wire
Connector & Housing Type	Housing for Male Terminals
Sealable	No
Primary Locking Feature	On the Terminal

### Configuration Features

Number of Positions	15
Number of Rows	3

### Electrical Characteristics

Nominal Voltage Architecture	12 V
------------------------------	------

### Body Features



Cable Exit Angle	180°
Primary Product Color	Gray
Connector & Keying Code	A

#### Contact Features

Contact Size	2.8mm
Contact Type	Tab
Mating Tab Width	2.8 mm[.11 in]

#### Mechanical Attachment

Terminal Position Assurance	Yes
Strain Relief	Without
Mating Alignment Type	Keyed
Mating Alignment	With
Connector Mounting Type	Panel Mount

#### Housing Features

Housing Material	PA GF
Centerline (Pitch)	5 mm[.197 in]

#### Dimensions

Connector Height	30.6 mm[1.2 in]
Product Width	35.5 mm[1.39 in]
Product Length	32.5 mm[1.28 in]
Row-to-Row Spacing	5.5 mm[.217 in]

#### Usage Conditions

Operating Temperature (Max)	70 °C, 75 °C, 80 °C, 85 °C, 90 °C, 100 °C, 105 °C, 110 °C, 120 °C[158 °F][167 °F][176 °F][185 °F][194 °F][212 °F][221 °F][230 °F][248 °F]
Operating Temperature Range	-40 – 120 °C[-40 – 248 °F]

#### Operation/Application

Circuit Application	Signal
---------------------	--------

#### Industry Standards

UL Flammability Rating	UL 94HB
------------------------	---------

#### Packaging Features

Packaging Quantity	800
--------------------	-----



Packaging Method

Bag & Box

**Other**

Serviceable

No

Connector Position Assurance Capable

No

**Product Compliance**

[For compliance documentation, visit the product page on TE.com>](#)

EU RoHS Directive 2011/65/EU

Compliant

EU ELV Directive 2000/53/EC

Compliant

China RoHS 2 Directive MIIT Order No 32, 2016

No Restricted Materials Above Threshold

EU REACH Regulation (EC) No. 1907/2006

Current ECHA Candidate List: JUNE 2023 (235)  
Candidate List Declared Against: JUNE 2023 (235)  
Does not contain REACH SVHC

Halogen Content

Low Halogen - Br, Cl, F, I < 900 ppm per homogenous material. Also BFR/CFR/PVC Free

Solder Process Capability

Not applicable for solder process capability

**Product Compliance Disclaimer**

This information is provided based on reasonable inquiry of our suppliers and represents our current actual knowledge based on the information they provided. This information is subject to change. The part numbers that TE has identified as EU RoHS compliant have a maximum concentration of 0.1% by weight in homogenous materials for lead, hexavalent chromium, mercury, PBB, PBDE, DBP, BBP, DEHP, DIBP, and 0.01% for cadmium, or qualify for an exemption to these limits as defined in the Annexes of Directive 2011/65/EU (RoHS2). Finished electrical and electronic equipment products will be CE marked as required by Directive 2011/65/EU. Components may not be CE marked. Additionally, the part numbers that TE has identified as EU ELV compliant have a maximum concentration of 0.1% by weight in homogenous materials for lead, hexavalent chromium, and mercury, and 0.01% for cadmium, or qualify for an exemption to these limits as defined in the Annexes of Directive 2000/53/EC (ELV). Regarding the REACH Regulation, the information TE provides on SVHC in articles for this part number is based on the latest European Chemicals Agency (ECHA) 'Guidance on requirements for substances in articles' posted at this URL: <https://echa.europa.eu/guidance-documents/guidance-on-reach>

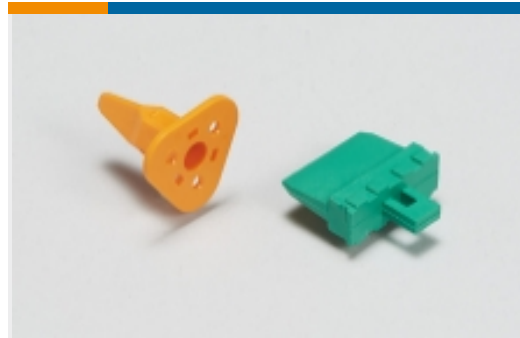
**Compatible Parts**



## Also in the Series | Timer Connector System



Automotive Connector Caps & Covers (12)



Automotive Connector Locks & Position Assurance (17)



Automotive Housings (233)



Automotive Terminals (145)



Connector Seals & Cavity Plugs (32)



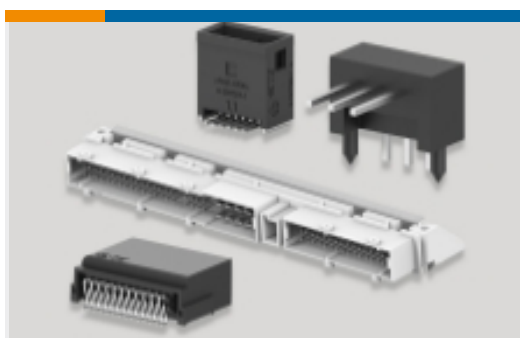
Crimp Terminal Housings (13)



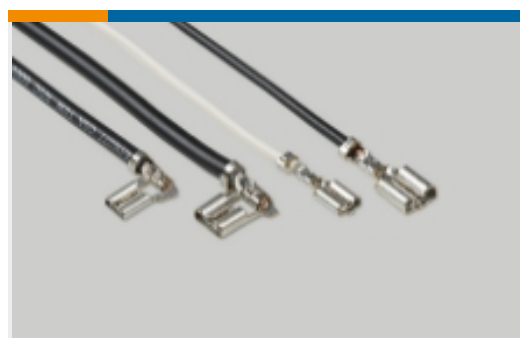
Insertion & Extraction Tools (18)



Other Automotive Connector Accessories (1)

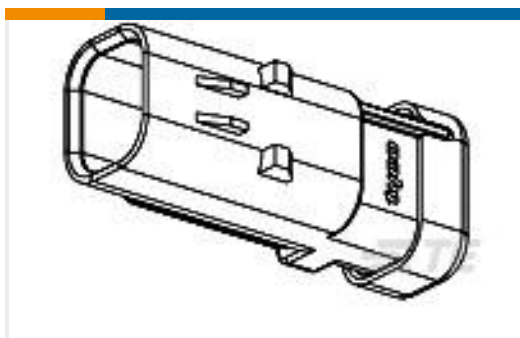


PCB Headers & Receptacles (82)



Quick Disconnects (4)

## Customers Also Bought



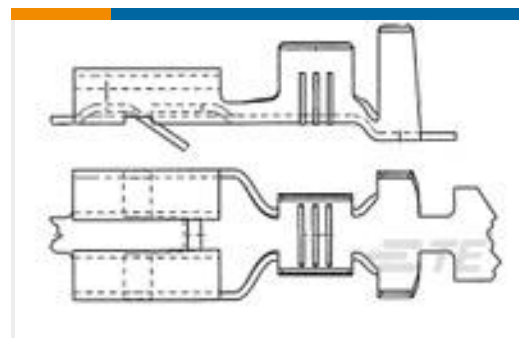
TE Part #776534-4  
AS 16, 2P CAP ASSY, RD, KEY 4



TE Part #2292797-2  
AS16 BACKSHELL, 2P PLUG, NC12, MC



TE Part #4-1564412-1  
18POS, TAB 1.6X0.6, TAB HSG, ASSY



TE Part #281197-2  
FF 187 REC 1.0-2.5MM2 PTBR



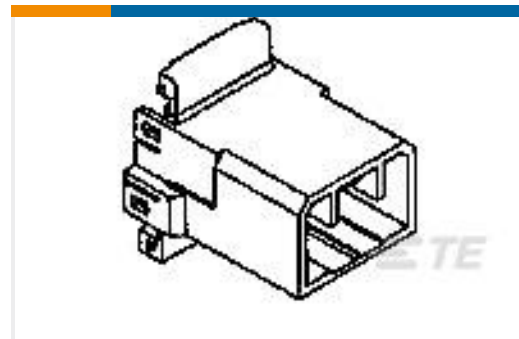
TE Part #1-965641-2  
Timer Connector Housing



TE Part #1703838-2  
SLIDE, TAB HSG GROUP A



TE Part #1534334-1  
AMP MCP 1.5K, CONTACT



TE Part #174933-1  
070 MLC W-W CAP HSG 12P





## Documents

### Product Drawings

[FLACHSTE-GEH2,8 15P](#)

English

[FLACHSTE-GEH2,8 15P](#)

English

### CAD Files

Customer View Model

[ENG\\_CVM\\_CVM\\_1-967628-6\\_E.2d\\_dxf.zip](#)

English

[3D PDF](#)

3D

Customer View Model

[ENG\\_CVM\\_CVM\\_1-967628-6\\_E.3d\\_igs.zip](#)

English

Customer View Model

[ENG\\_CVM\\_CVM\\_1-967628-6\\_E.3d\\_stp.zip](#)

English

By downloading the CAD file I accept and agree to the [Terms and Conditions](#) of use.

### Datasheets & Catalog Pages

[Timer Interconnection System](#)

English

### Product Specifications

[Application Specification](#)

English