

1-962919-1 ✓ ACTIVE

AMP | Timer Connector System

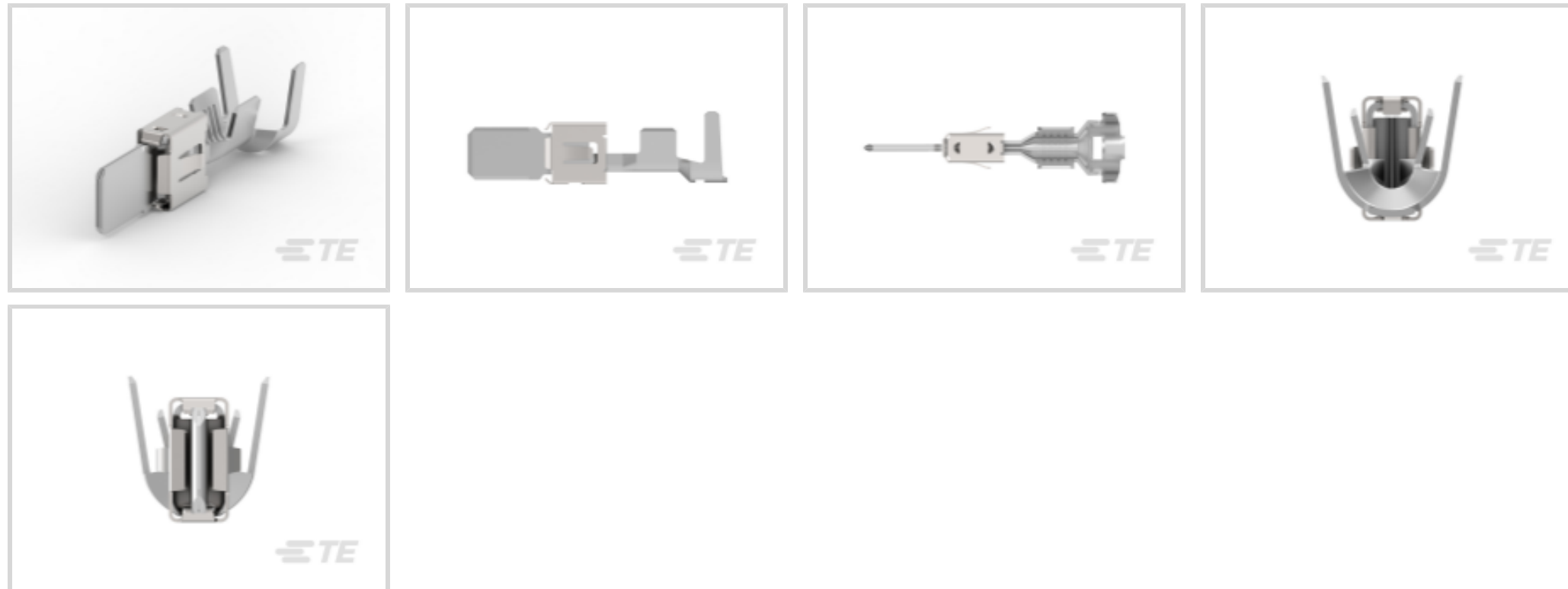
TE Internal #: 1-962919-1

Automotive Terminals, Tab, Mating Tab Width 5.8 mm [.228 in], Tab Thickness .8 mm [.031 in], 11 AWG Wire Size, 4 mm² Wire Size, Timer Connector System

[View on TE.com >](#)



Terminals & Splices > Automotive Terminals > TIMER, RECEPTACLE AND TAB



Terminal Type: **Tab**

Mating Tab Width: **5.8 mm [.228 in]**

Mating Tab Thickness: **.8 mm [.031 in]**

Terminal Transmits: **25 – 40 A (Power)**

Wire Size: **11 AWG**

[All TIMER, RECEPTACLE AND TAB \(348\)](#)

Features

Product Type Features

Sealable	Yes
Primary Locking Feature	Locking Lance

Body Features

Terminal Seal Type	Single Wire Seal (SWS)
--------------------	------------------------

Contact Features

Contact Size	5.8mm
Contact Fabrication	Stamped & Formed
Wire Contact Termination Area Plating Material	Tin
Typical Current Rating	40 A
Crimp Type	F-Crimp
Terminal Type	Tab
Mating Tab Width	5.8 mm[.228 in]



Mating Tab Thickness	.8 mm [.031 in]
----------------------	-----------------

Interface Plating	Tin (Sn)
-------------------	----------

Termination Features

Termination Method to Wire & Cable	Crimp
------------------------------------	-------

Product Terminates To	Wire
-----------------------	------

Dimensions

Compatible Insulation Diameter Range	3.4 – 3.7 mm [.236 in]
--------------------------------------	------------------------

Wire Size	4 mm ²
-----------	-------------------

Wire Size Search	11 AWG
------------------	--------

Usage Conditions

Insulation Option	Uninsulated
-------------------	-------------

Operating Temperature (Max)	80 °C, 85 °C, 90 °C, 100 °C, 105 °C, 110 °C, 120 °C, 125 °C, 130 °C [176 °F][185 °F][194 °F][212 °F][221 °F][230 °F][248 °F][257 °F][266 °F]
-----------------------------	--

Operating Temperature Range	-40 – 130 °C [-40 – 266 °F]
-----------------------------	-----------------------------

Operation/Application

Compatible With Wire Base Material	Copper
------------------------------------	--------

Packaging Features

Packaging Quantity	1500
--------------------	------

Packaging Method	Reel
------------------	------

Other

Terminal Transmits	25 – 40 A (Power)
--------------------	-------------------

Product Compliance

[For compliance documentation, visit the product page on TE.com>](#)

EU RoHS Directive 2011/65/EU	Compliant
------------------------------	-----------

EU ELV Directive 2000/53/EC	Compliant
-----------------------------	-----------

China RoHS 2 Directive MIIT Order No 32, 2016	No Restricted Materials Above Threshold
---	---

EU REACH Regulation (EC) No. 1907/2006	Current ECHA Candidate List: JUNE 2023 (235) Candidate List Declared Against: JUNE 2023 (235) Does not contain REACH SVHC
--	---

Halogen Content	Low Halogen - Br, Cl, F, I < 900 ppm per
-----------------	--

homogenous material. Also BFR/CFR/PVC Free


Solder Process Capability

Not applicable for solder process capability

Product Compliance Disclaimer

This information is provided based on reasonable inquiry of our suppliers and represents our current actual knowledge based on the information they provided. This information is subject to change. The part numbers that TE has identified as EU RoHS compliant have a maximum concentration of 0.1% by weight in homogenous materials for lead, hexavalent chromium, mercury, PBB, PBDE, DBP, BBP, DEHP, DIBP, and 0.01% for cadmium, or qualify for an exemption to these limits as defined in the Annexes of Directive 2011/65/EU (RoHS2). Finished electrical and electronic equipment products will be CE marked as required by Directive 2011/65/EU. Components may not be CE marked. Additionally, the part numbers that TE has identified as EU ELV compliant have a maximum concentration of 0.1% by weight in homogenous materials for lead, hexavalent chromium, and mercury, and 0.01% for cadmium, or qualify for an exemption to these limits as defined in the Annexes of Directive 2000/53/EC (ELV). Regarding the REACH Regulation, the information TE provides on SVHC in articles for this part number is based on the latest European Chemicals Agency (ECHA) 'Guidance on requirements for substances in articles' posted at this URL: <https://echa.europa.eu/guidance-documents/guidance-on-reach>

Compatible Parts



TE Part # CAT-L489-CH8172
LEAVYSEAL Housings



TE Part # CAT-H3399-CH8172
Heavy Duty Sealed Connector Series Housings



TE Part # 4-1579007-3
EXTRACTION TOOL KIT



TE Part # 1-1579007-6
EXTRACTION TOOL



TE Part # 2305570-1
Strip Terminal Cutter-Side Feed-No Crimp



TE Part # 1897213-2
MCP 6.3 2P CAP HSG



TE Part # 2301461-1
30POS, HYBRID, TAB HSG ASSY, SLD, COD A



TE Part # 2-1564536-1
4POS, TAB5.8X0.8, TABHSG, ASSY, COD. B



TE Part # 2-2837905-2
APPLICATOR TO MAKE LOOSE PIECE TERMINALS



TE Part # 2151782-2
OCEAN_2.0 APPLICATOR-S-130F2600



TE Part # 2301461-2
30POS, HYBRID, TAB HSG ASSY, SLD, COD B



TE Part # 2837905-2
APPLICATOR TO MAKE LOOSE PIECE TERMINALS




TE Part # 7-2151782-2
OCEAN_2.0_APPLICATOR-S-130F2600




KIT
REPRESENTATION ONLY

TE Part # 7-2151782-7
OCEAN_2.0_SPARE_PART_KIT-130F2600



TE Part # 7-2837905-2
APPLICATOR TO MAKE LOOSE PIECE TERMINALS



KIT
REPRESENTATION ONLY

TE Part # 7-2837905-7
TOOLING KIT TO MAKE LOOSE PIECE TERMINAL



TE Part # 2-2151782-2
OCEAN_2.0_APPLICATOR-S-130F2600



TE Part # 3-1564536-1
4POS,TAB5.8X0.8,TABHSG,ASSY,COD. C

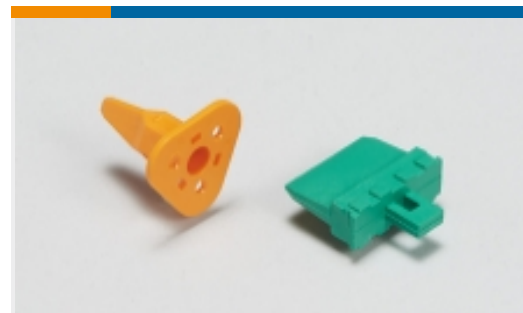


TE Part # 4-1564536-1
4POS,TAB5.8X0.8,TABHSG,ASSY,COD. D


Also in the Series | Timer Connector System




Automotive Connector Caps & Covers (12)




Automotive Connector Locks & Position Assurance (17)




Automotive Housings (233)




Automotive Terminals (145)




Connector Seals & Cavity Plugs (32)



Crimp Terminal Housings (13)



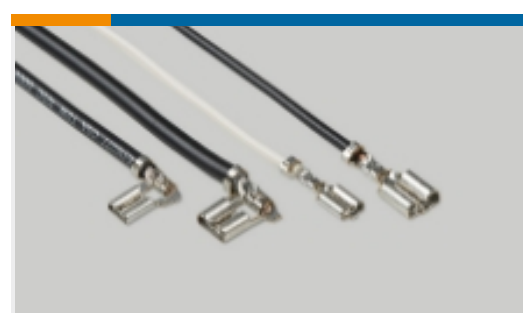
Insertion & Extraction Tools (18)



Other Automotive Connector Accessories (1)

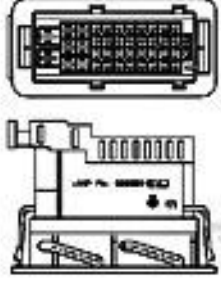


PCB Headers & Receptacles (82)



Quick Disconnects (4)

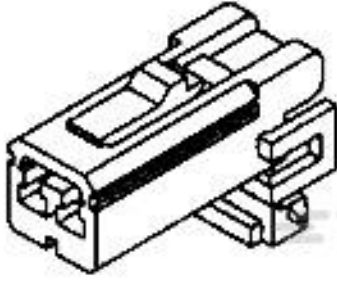
Customers Also Bought

TE Part #968393-1
T-MIX FLA-ST-GEH42P



TE Part #1897209-2
MCP HYB 4P CAP HSG



TE Part #174463-2
070 MCL 2P P B



TE Part #1456867-3
PLG ASSY,2X8,UNSEALD, 0.64,Gen



TE Part #5677672002
RNF-3000-24/8-2-STK



TE Part #EH9009-000
ES2000-NO.0-O9-0-65MM



TE Part #1924955-4
CONTACT,FEMALE0.64,18AWG,
UNSEALED



TE Part #1-1563845-3
MCON 9.5,CONTACT



TE Part #1-2208021-4
22POS,0.64 GENER. Y,REC HSG,ASSY



TE Part #2035363-7
1X6 GENERATION Y ASSY KEY E

Documents

Product Drawings

[TAB 5.8x0.8 CONTACT CS SWS Sn](#)

English

[TAB 5.8x0.8 CONTACT CS SWS Sn](#)

English

CAD Files

Customer View Model

[ENG_CVM_1-962919-1_A1.3d_igs.zip](#)

English

Customer View Model

[ENG_CVM_1-962919-1_A1.3d_stp.zip](#)

English

Customer View Model

[ENG_CVM_1-962919-1_A1.2d_dxf.zip](#)

English

[3D PDF](#)

English

By downloading the CAD file I accept and agree to the [Terms and Conditions](#) of use.



Datasheets & Catalog Pages

Timer Interconnection System

English

HDSCS Catalog

English

CONNECTOR SELECTOR

English

Product Specifications

Application Specification

German

Application Specification

English

Application Specification

English