

1-962916-2 ✓ ACTIVE

AMP | Timer Connector System

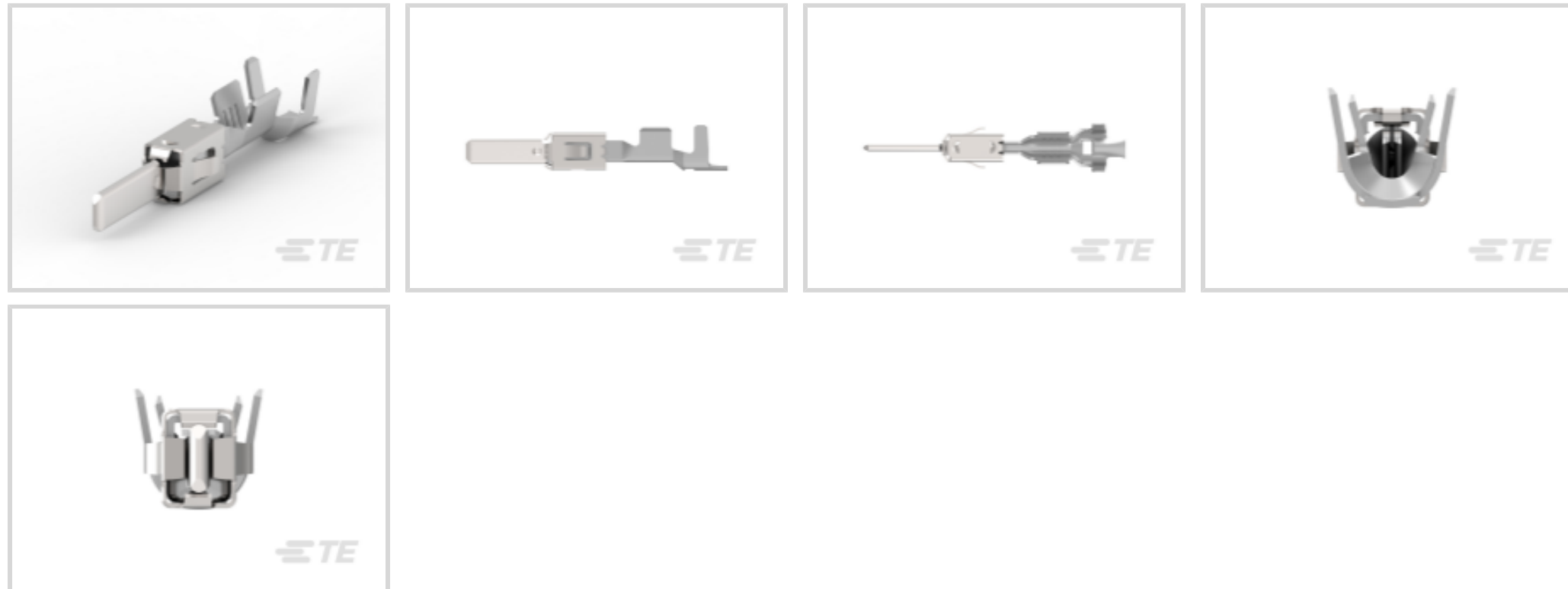
TE Internal #: 1-962916-2

Automotive Terminals, Tab, Mating Tab Width 2.8 mm [.11 in], Tab Thickness .8 mm [.031 in], 17 – 13 AWG Wire Size, Timer Connector System

[View on TE.com >](#)



Terminals & Splices > Automotive Terminals > TIMER, RECEPTACLE AND TAB



Terminal Type: **Tab**

Mating Tab Width: **2.8 mm [.11 in]**

Mating Tab Thickness: **.8 mm [.031 in]**

Terminal Transmits: **25 – 40 A (Power)**

Wire Size: **17 – 13 AWG**

[All TIMER, RECEPTACLE AND TAB \(348\)](#)

## Features

### Product Type Features

Receptacle Style	180°
Sealable	Yes
Primary Locking Feature	Locking Lance

### Body Features

Terminal Seal Type	Single Wire Seal (SWS)
--------------------	------------------------

### Contact Features

Contact Size	2.8mm
Contact Fabrication	Stamped & Formed
Wire Contact Termination Area Plating Material	Tin
Typical Current Rating	30 A
Crimp Type	F-Crimp
Terminal Type	Tab



Mating Tab Width	2.8 mm[.11 in]
Mating Tab Thickness	.8 mm[.031 in]
Interface Plating	Silver (Ag)

### Termination Features

Termination Method to Wire & Cable	Crimp
Product Terminates To	Wire

### Dimensions

Compatible Insulation Diameter Range	3.4 mm[.134 in]
Wire Size	1 – 2.5 mm <sup>2</sup>
Wire Size Search	13 AWG, 14 AWG, 15 AWG, 16 AWG, 17 AWG
Tab Length	26.8 mm[1.05 in]

### Usage Conditions

Insulation Option	Uninsulated
Operating Temperature (Max)	140 °C[284 °F]
Operating Temperature Range	-40 – 140 °C[-40 – 284 °F]

### Operation/Application

Compatible With Wire Base Material	Copper
------------------------------------	--------

### Industry Standards

Agency/Standard	LV214
-----------------	-------

### Packaging Features

Packaging Quantity	3300
Packaging Method	Box

### Other

Terminal Transmits	25 – 40 A (Power)
--------------------	-------------------

### Product Compliance

[For compliance documentation, visit the product page on TE.com>](#)

EU RoHS Directive 2011/65/EU	Compliant
EU ELV Directive 2000/53/EC	Compliant
China RoHS 2 Directive MIIT Order No 32, 2016	No Restricted Materials Above Threshold
EU REACH Regulation (EC) No. 1907/2006	Current ECHA Candidate List: JUNE 2023 (235)

Candidate List Declared Against: JUNE 2023 (235)

Does not contain REACH SVHC

Halogen Content

Low Halogen - Br, Cl, F, I < 900 ppm per homogenous material. Also BFR/CFR/PVC Free

Solder Process Capability

Not applicable for solder process capability

Product Compliance Disclaimer

This information is provided based on reasonable inquiry of our suppliers and represents our current actual knowledge based on the information they provided. This information is subject to change. The part numbers that TE has identified as EU RoHS compliant have a maximum concentration of 0.1% by weight in homogenous materials for lead, hexavalent chromium, mercury, PBB, PBDE, DBP, BBP, DEHP, DIBP, and 0.01% for cadmium, or qualify for an exemption to these limits as defined in the Annexes of Directive 2011/65/EU (RoHS2). Finished electrical and electronic equipment products will be CE marked as required by Directive 2011/65/EU. Components may not be CE marked. Additionally, the part numbers that TE has identified as EU ELV compliant have a maximum concentration of 0.1% by weight in homogenous materials for lead, hexavalent chromium, and mercury, and 0.01% for cadmium, or qualify for an exemption to these limits as defined in the Annexes of Directive 2000/53/EC (ELV). Regarding the REACH Regulation, the information TE provides on SVHC in articles for this part number is based on the latest European Chemicals Agency (ECHA) 'Guidance on requirements for substances in articles' posted at this URL: <https://echa.europa.eu/guidance-documents/guidance-on-reach>


## Compatible Parts




TE Part # CAT-H3399-CH8172  
Heavy Duty Sealed Connector Series Housings



TE Part # 1534238-1  
MESSERLEISTE 21P



TE Part # CAT-L489-CH8172  
LEAVYSEAL Housings



TE Part # CAT-AM705-CH8173  
AMP MCP Unsealed Connector Housings



TE Part # 4-1579007-3  
EXTRACTION TOOL KIT



TE Part # 1-1579007-6  
EXTRACTION TOOL



TE Part # 828905-1  
SINGLE-WIRE-SEAL(5MM HOLE)



TE Part # 2305570-1  
Strip Terminal Cutter-Side Feed-No Crimp



TE Part # CAT-T4827-CH8172  
Timer Connector Housing



TE Part # 1-967627-6  
FLACHSTE-GEH2,8 12P



TE Part # 1-2383510-1  
8POS,AMP MCP 2.8,TAB HSG ASSY,  
SLD,COD A



TE Part # 1-2383519-1  
8POS,AMP MCP 2.8,TAB HSG ASSY,  
SLD,COD A



TE Part # 1-967629-0  
TAB HOUSING, 2.8MM, 18POS.



TE Part # 1579018-5  
EXTRACTION TOOL



TE Part # 2-1823449-1  
22POS, MIXED,TAB HSG,ASSY



TE Part # 2-2383510-1  
8POS,AMP MCP 2.8,TAB HSG ASSY,  
SLD,COD B



TE Part # 2-2383519-1  
8POS,AMP MCP 2.8,TAB HSG ASSY,  
SLD,COD B



TE Part # 2151260-1  
OCEAN\_2.0\_APPLICATOR-S-  
100F1700



TE Part # 2151260-2  
OCEAN\_2.0\_APPLICATOR-S-  
100F1700

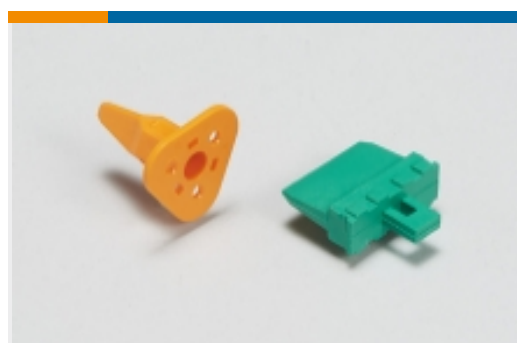


TE Part # 2301461-2  
30POS,HYBRID,TAB HSG ASSY,SLD,  
COD B

## Also in the Series | Timer Connector System



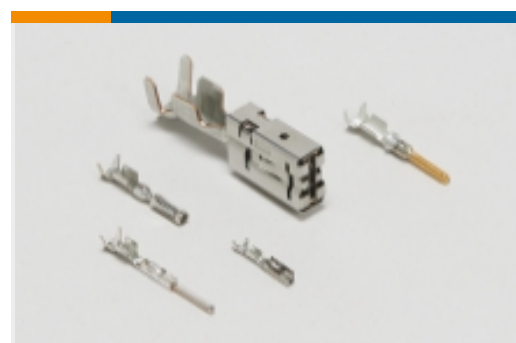
Automotive Connector Caps & Covers  
(12)



Automotive Connector Locks &  
Position Assurance(17)



Automotive Housings(233)



Automotive Terminals(145)



Connector Seals & Cavity Plugs(32)



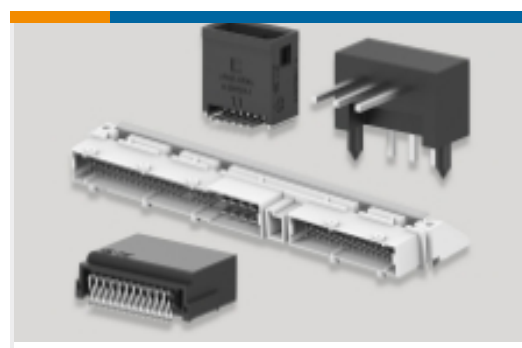
Crimp Terminal Housings(13)



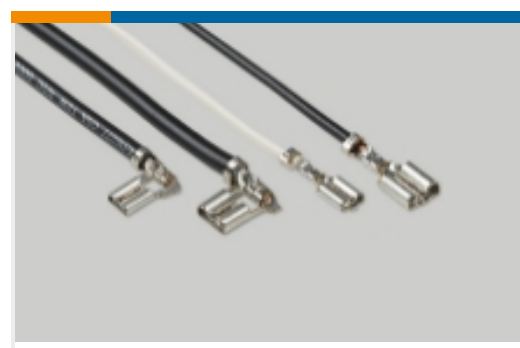
Insertion & Extraction Tools(18)



Other Automotive Connector  
Accessories(1)

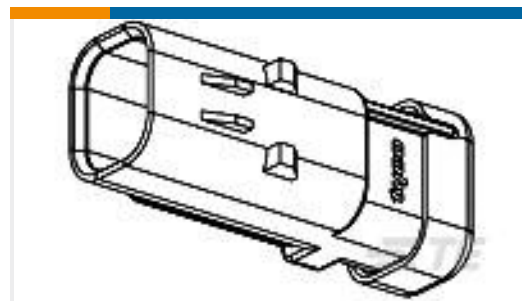
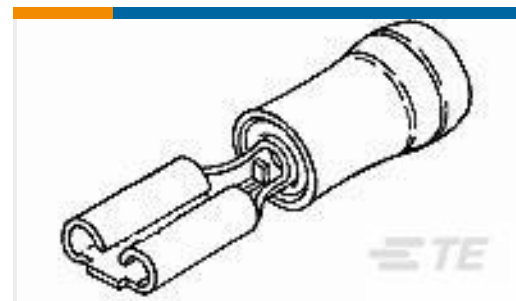
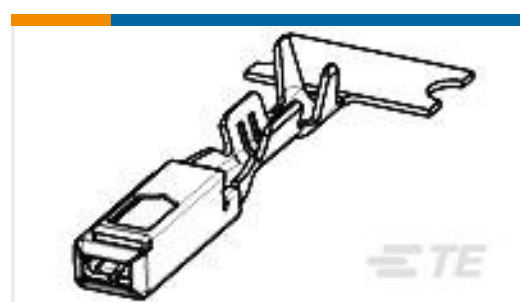
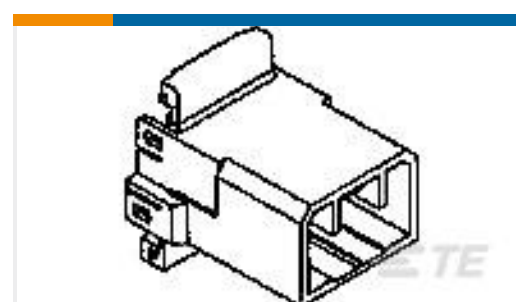
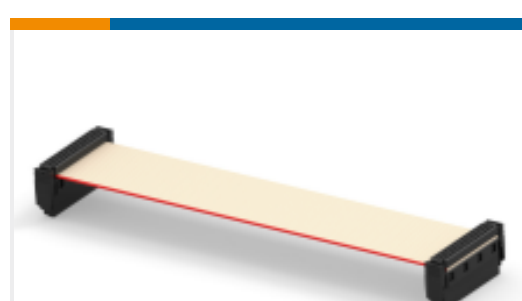


PCB Headers &amp; Receptacles(82)



Quick Disconnects(4)

## Customers Also Bought

TE Part #776534-4  
AS 16, 2P CAP ASSY, RD, KEY 4TE Part #4-1564412-1  
18POS,TAB 1.6X0.6,TAB HSG,ASSYTE Part #165563-1  
110 PIDG FASTON RECTE Part #828905-1  
SINGLE-WIRE-SEAL(5MM HOLE)TE Part #1-963735-2  
TAB 5.8x0.8 CONTACT CS SRC AgTE Part #5-1534116-2  
MQS0,63 AU REC CB UNSEAL. 0,25-0,35 2PTE Part #174933-1  
070 MLC W-W CAP HSG 12PTE Part #1-1803019-1  
CRIMPER, INSULATION OTE Part #168327-E  
IDCCS SMC 1,27 32 \* AU AUI 100 PVCTE Part #2713376002  
SASR-NR504-X-15MM

## Documents

### Product Drawings

[TAB 2.8x0.8 CONTACT CS SWS Ag](#)

English

[TAB 2.8x0.8 CONTACT CS SWS Ag](#)

English

### CAD Files

[Customer View Model](#)

[ENG\\_CVM\\_CVM\\_1-962916-2\\_E.2d\\_dxf.zip](#)



English

[3D PDF](#)

3D

Customer View Model

[ENG\\_CVM\\_CVM\\_1-962916-2\\_E.3d\\_igs.zip](#)

English

Customer View Model

[ENG\\_CVM\\_CVM\\_1-962916-2\\_E.3d\\_stp.zip](#)

English

By downloading the CAD file I accept and agree to the [Terms and Conditions](#) of use.

---

## Datasheets & Catalog Pages

[Timer Interconnection System](#)

English

[HDSCS Catalog](#)

English

[CONNECTOR SELECTOR](#)

English

---

## Product Specifications

[Application Specification](#)

German

[Application Specification](#)

English

[Application Specification](#)

English

[Application Specification](#)

English