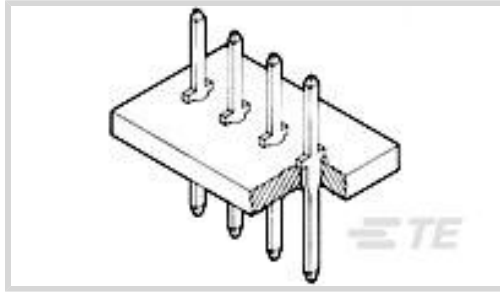




Connectors > PCB Connectors > Board-to-Board Connectors > Board-to-Board Connector Contacts



Contact Type: **Pin**

Contact Mating Area Plating Material: **Gold**

Contact Orientation: **Straight**

Connector & Contact Terminates To: **Printed Circuit Board**

Contact Current Rating (Max): **5 A**

## Features

### Product Type Features

Connector & Contact Terminates To	Printed Circuit Board
-----------------------------------	-----------------------

### Electrical Characteristics

Dielectric Withstanding Voltage (Max)	1200 VAC
Insulation Resistance	5000 MΩ
Contact Resistance	12 mΩ

### Contact Features

Contact Mating Area Length	9.65 mm[.38 in]
	30 μin
Contact Underplating Material	Nickel
PCB Contact Termination Area Plating Material	Gold
Contact Base Material	Brass
Contact Type	Pin
Contact Mating Area Plating Material	Gold
Contact Orientation	Straight
Contact Current Rating (Max)	5 A

### Termination Features

Termination Post & Tail Length	8.13 mm[.32 in]
--------------------------------	-----------------

### Mechanical Attachment

--	--



Wire Insulation Support	Without
-------------------------	---------

### Usage Conditions

Operating Temperature Range	-65 – 105 °C
-----------------------------	--------------

### Packaging Features

Packaging Quantity	1000
--------------------	------

Packaging Method	Loose Piece
------------------	-------------

### Other

Connector Contacts Comment	Minimum nominal centerline spacing between adjacent contacts is .125., Post center may vary depending on requirements., Strip form posts applied with Insertion Machine Number 3-457382-1, includes power unit and applicator.
----------------------------	--

## Product Compliance

[For compliance documentation, visit the product page on TE.com>](#)

EU RoHS Directive 2011/65/EU	Compliant
------------------------------	-----------

EU ELV Directive 2000/53/EC	Compliant
-----------------------------	-----------

China RoHS 2 Directive MIIT Order No 32, 2016	No Restricted Materials Above Threshold
---	---

EU REACH Regulation (EC) No. 1907/2006	Current ECHA Candidate List: JUNE 2023 (235) Candidate List Declared Against: JUNE 2023 (235) Does not contain REACH SVHC
--	---

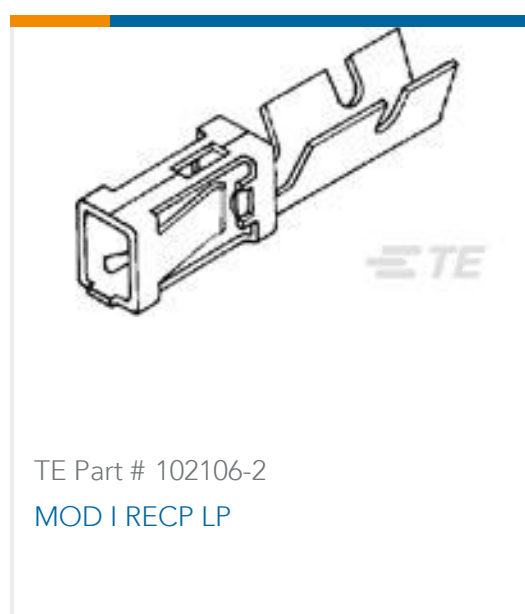
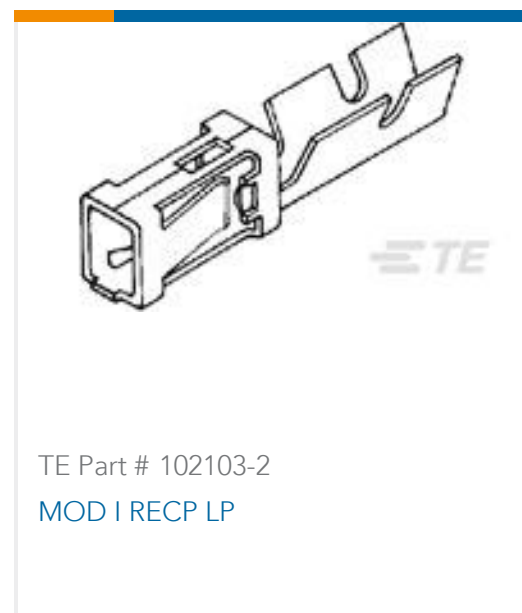
Halogen Content	Low Halogen - Br, Cl, F, I < 900 ppm per homogenous material. Also BFR/CFR/PVC Free
-----------------	---

Solder Process Capability	Wave solder capable to 265°C
---------------------------	------------------------------

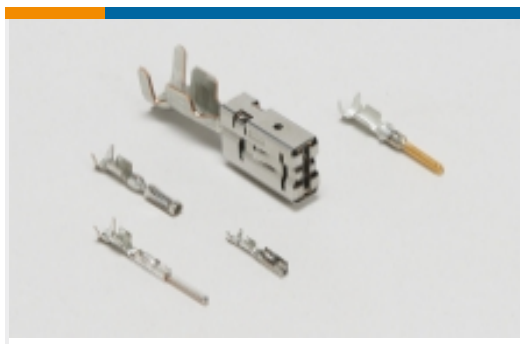
#### Product Compliance Disclaimer

This information is provided based on reasonable inquiry of our suppliers and represents our current actual knowledge based on the information they provided. This information is subject to change. The part numbers that TE has identified as EU RoHS compliant have a maximum concentration of 0.1% by weight in homogenous materials for lead, hexavalent chromium, mercury, PBB, PBDE, DBP, BBP, DEHP, DIBP, and 0.01% for cadmium, or qualify for an exemption to these limits as defined in the Annexes of Directive 2011/65/EU (RoHS2). Finished electrical and electronic equipment products will be CE marked as required by Directive 2011/65/EU. Components may not be CE marked. Additionally, the part numbers that TE has identified as EU ELV compliant have a maximum concentration of 0.1% by weight in homogenous materials for lead, hexavalent chromium, and mercury, and 0.01% for cadmium, or qualify for an exemption to these limits as defined in the Annexes of Directive 2000/53/EC (ELV). Regarding the REACH Regulation, the information TE provides on SVHC in articles for this part number is based on the latest European Chemicals Agency (ECHA) 'Guidance on requirements for substances in articles' posted at this URL: <https://echa.europa.eu/guidance-documents/guidance-on-reach>

## Compatible Parts



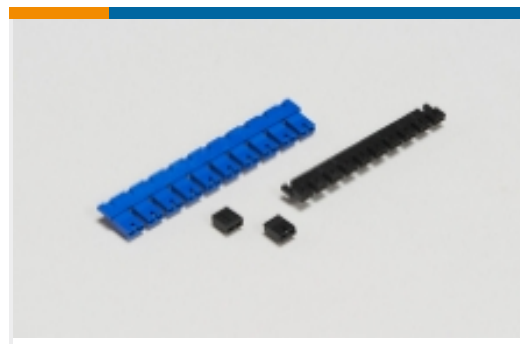
## Also in the Series | AMPMODU MOD 1



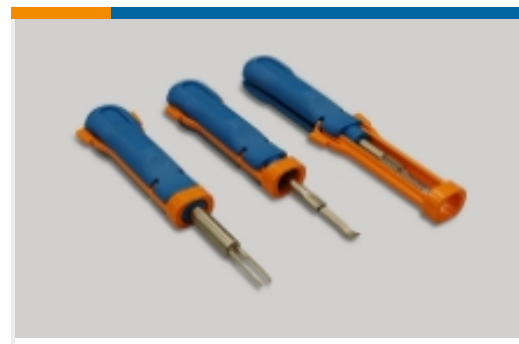
Automotive Terminals(6)



Board-to-Board Connector Contacts (107)



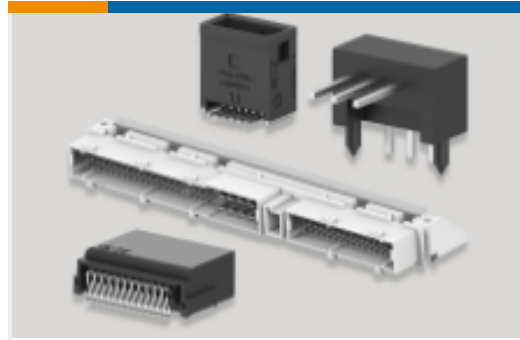
Board-to-Board Jumpers & Shunts(5)



Insertion & Extraction Tools(1)



PCB Connector Keying(2)



PCB Headers & Receptacles(358)

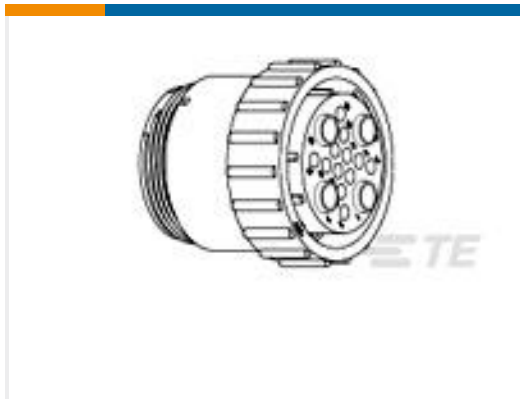


Wire-to-Board Connector Assemblies & Housings(44)



Wire-to-Board Connector Contacts(2)

## Customers Also Bought



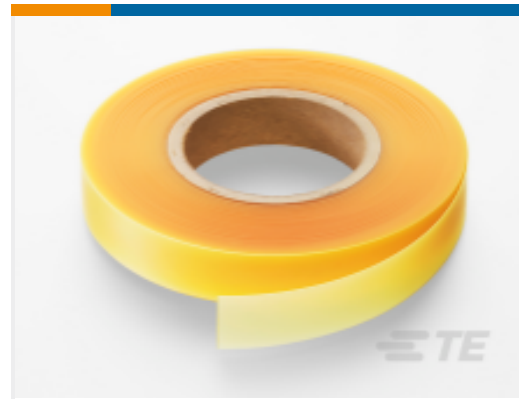
TE Part #796203-1  
SLD CPC PLUG ASSY,23-16,STD SX



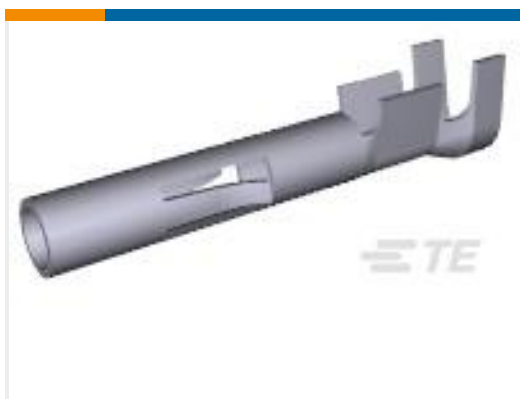
TE Part #DT06-3S-E003  
PLG, 3P, GRY, N, CAP



TE Part #90546-1  
ASSY PRO-CRIMPER UNIV M-N-L



TE Part #890113-000  
S1048-TAPE-1X100-FT



TE Part #350550-6  
UMNL SOK 20-14 AU/PHBZ L/P



TE Part #172170-1  
12 CIR UNIV M-N-L PLUG



TE Part #51864-2  
TERMINAL,PIDG R 16-14 10



TE Part #324044  
TERMINAL,T-N R 8 5/16



TE Part #K1013636  
Relay 26-05-52



TE Part #K1012918  
Relay 26-70-04

## Documents



### Product Drawings

[MOD I POST LP](#)

English

---

### Datasheets & Catalog Pages

[AMPMODU\\_INTERCONNECTION\\_SYSTEM\\_SECTION\\_6\\_7AND8](#)

English

---

### Product Specifications

[Product Specification](#)

English