

1-796638-0 ✓ ACTIVE

Buchanan

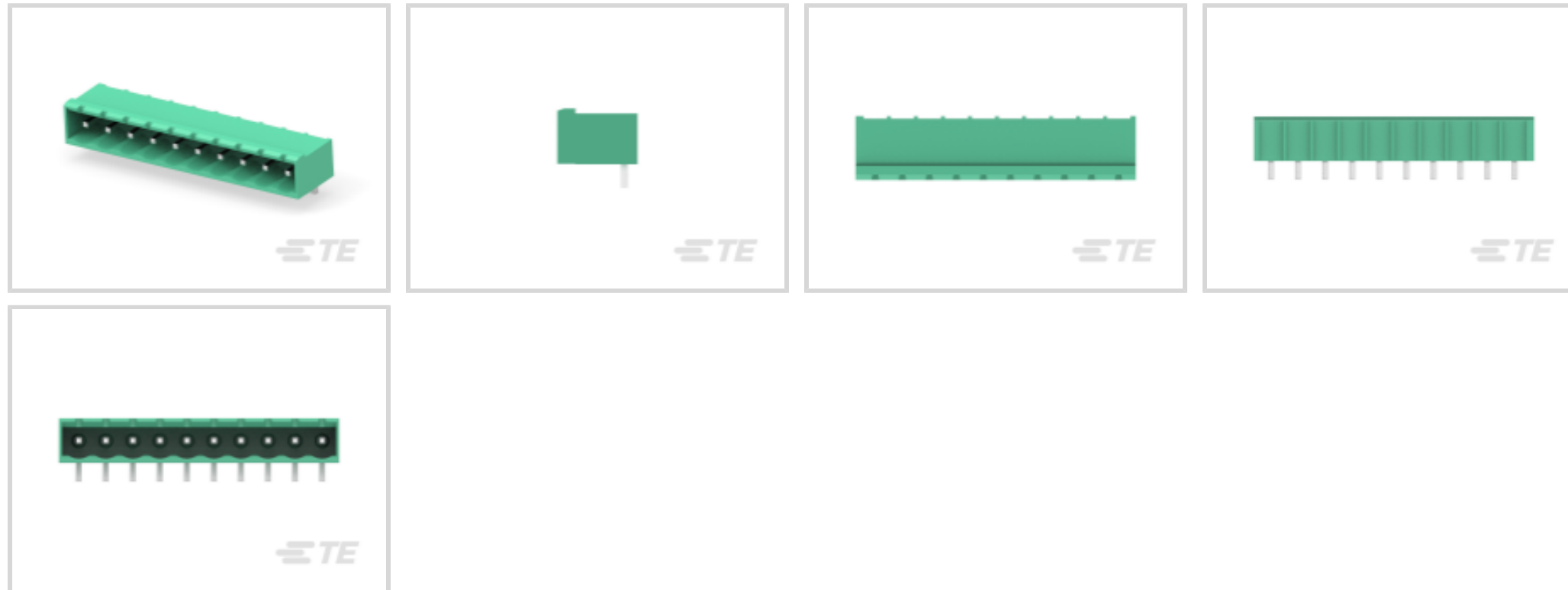
TE Internal #: 1-796638-0

PCB Terminal Blocks, Header, Wire-to-Board, 10 Position, .2 in [5.08 mm] Centerline, 1 Row, 30 – 12 AWG Wire Size, .05 – 3 mm² Wire Size

[View on TE.com >](#)



Connectors > Terminal Blocks & Strips > PCB Terminal Blocks



Terminal Block Connector Type: **Header**

Connector System: **Wire-to-Board**

Number of Positions: **10**

Centerline (Pitch): **5.08 mm [.2 in]**

Number of Rows: **1**

Features

Product Type Features

Header Type	Fully Shrouded
Terminal Block Connector Type	Header
Connector System	Wire-to-Board
Connector & Contact Terminates To	Printed Circuit Board

Configuration Features

Stacking Configuration	Side Stackable
Number of Positions	10
Number of Rows	1

Electrical Characteristics

Operating Voltage	300 VAC
-------------------	---------

Body Features

Primary Product Color	Green
Product Orientation	Right Angle



Contact Features

Contact Mating Area Plating Material	Tin
Contact Base Material	Phosphor Bronze
Contact Current Rating (Max)	15 A

Termination Features

Termination Post & Tail Length	3.5 mm[.138 in]
Termination Method to Printed Circuit Board	Through Hole - Solder

Mechanical Attachment

Connector Mounting Type	Board Mount
-------------------------	-------------

Housing Features

Housing Material	PA 66
Centerline (Pitch)	5.08 mm[.2 in]

Dimensions

Wire Size	.05 – 3 mm ²
-----------	-------------------------

Usage Conditions

Operating Temperature Range	-40 – 105 °C[-40 – 221 °F]
-----------------------------	----------------------------

Operation/Application

Circuit Application	Power & Signal
---------------------	----------------

Packaging Features

Packaging Quantity	100
Packaging Method	Box

Product Compliance

[For compliance documentation, visit the product page on TE.com>](#)

EU RoHS Directive 2011/65/EU	Compliant
EU ELV Directive 2000/53/EC	Compliant
China RoHS 2 Directive MIIT Order No 32, 2016	No Restricted Materials Above Threshold
EU REACH Regulation (EC) No. 1907/2006	Current ECHA Candidate List: JUNE 2023 (235) Candidate List Declared Against: JUNE 2023 (235) Does not contain REACH SVHC
Halogen Content	Low Halogen - Br, Cl, F, I < 900 ppm per homogenous material. Also BFR/CFR/PVC

Free

Solder Process Capability

Wave solder capable to 265°C

Product Compliance Disclaimer

This information is provided based on reasonable inquiry of our suppliers and represents our current actual knowledge based on the information they provided. This information is subject to change. The part numbers that TE has identified as EU RoHS compliant have a maximum concentration of 0.1% by weight in homogenous materials for lead, hexavalent chromium, mercury, PBB, PBDE, DBP, BBP, DEHP, DIBP, and 0.01% for cadmium, or qualify for an exemption to these limits as defined in the Annexes of Directive 2011/65/EU (RoHS2). Finished electrical and electronic equipment products will be CE marked as required by Directive 2011/65/EU. Components may not be CE marked. Additionally, the part numbers that TE has identified as EU ELV compliant have a maximum concentration of 0.1% by weight in homogenous materials for lead, hexavalent chromium, and mercury, and 0.01% for cadmium, or qualify for an exemption to these limits as defined in the Annexes of Directive 2000/53/EC (ELV). Regarding the REACH Regulation, the information TE provides on SVHC in articles for this part number is based on the latest European Chemicals Agency (ECHA) 'Guidance on requirements for substances in articles' posted at this URL: <https://echa.europa.eu/guidance-documents/guidance-on-reach>

Compatible Parts



TE Part # 1-284041-0
TERMINAL BLOCK VERTICAL PLUG S



TE Part # 1-796634-0
10 POS 5.08MM R/A PLUG,TRM BLK



TE Part # 1-284047-0
TERMI-BLOK VERTICAL PLUG STACK



TE Part # 1-1776038-0
10P 5.08 R/A HDR,CLOSED END



TE Part # 1-1986262-0
Female Spring Connector, Green, 5.08, 10



TE Part # 1-796635-0
10 POS 5.08MM R/A PLUG,TRM BLK



TE Part # 2-796634-8
TERMI-BLOK PLUG STACKING, 5.08

Customers Also Bought



TE Part #208714-1
Circular Plastic Connector, CMC Series 1



TE Part #2-6609129-3
5EFM1S=F8107



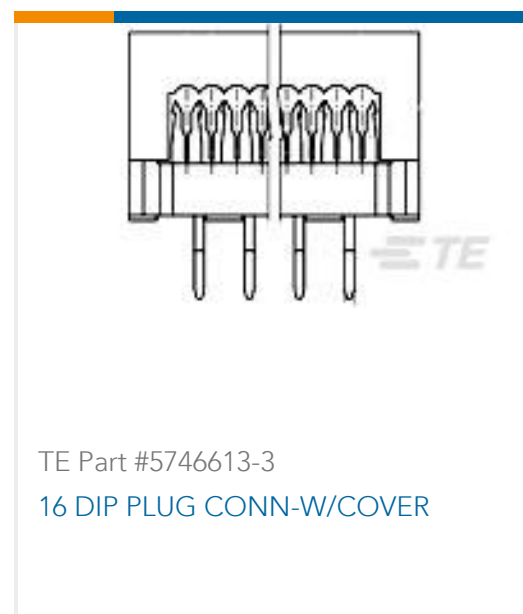
TE Part #5554434-1
EMI RCPT ASSY,24 POSN,SHLD



TE Part #5745392-2
HD-20 RCPT 25P RA 318 THD INS



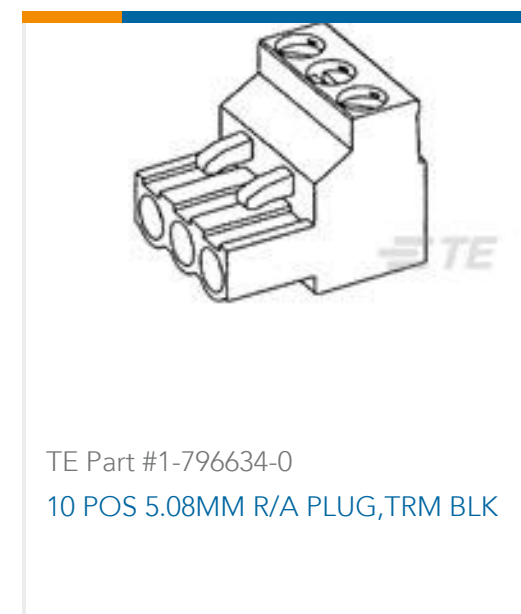
TE Part #5103310-3
A/L LOW PRO HDR 16P RA BLACK



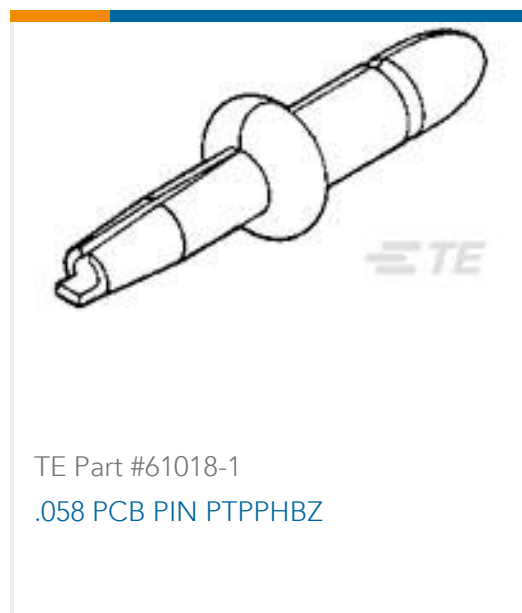
TE Part #5746613-3
16 DIP PLUG CONN-W/COVER



TE Part #1825008-4
DRD16RAE04=Rot Dip,R/A



TE Part #1-796634-0
10 POS 5.08MM R/A PLUG,TRM BLK



TE Part #61018-1
.058 PCB PIN PTPPHBZ

Documents

Product Drawings

10POS 5.08MM CE R/A HDR,TRM BK

English

CAD Files

Customer View Model

[ENG_CVM_1-796638-0_C3.3d_igs.zip](#)

English

Customer View Model

[ENG_CVM_1-796638-0_C3.3d_stp.zip](#)

English

Customer View Model

[ENG_CVM_1-796638-0_C3.2d_dxf.zip](#)

English

3D PDF

English

3D PDF

3D

Customer View Model

[ENG_CVM_CVM_1-796638-0_C.2d_dxf.zip](#)

English

Customer View Model

[ENG_CVM_CVM_1-796638-0_C.3d_igs.zip](#)

English

Customer View Model

[ENG_CVM_CVM_1-796638-0_C.3d_stp.zip](#)

English



By downloading the CAD file I accept and agree to the [Terms and Conditions](#) of use.

Datasheets & Catalog Pages

[Eurostyle Terminal Blocks Focus Product Stock List](#)

English

[BUCHANAN TERMINAL BLOCKS CATALOG - EUROSTYLE TERMINAL BLOCKS](#)

English

[BUCHANAN PCB TERMINAL BLOCKS](#)

English

[1-1773458-1_EURO_STYLE_TERMINAL_BLOCKS_QRG](#)

English

Product Specifications

[Application Specification](#)

English

Agency Approvals

[UL](#)

English