

1-796636-2 ✓ ACTIVE

Buchanan

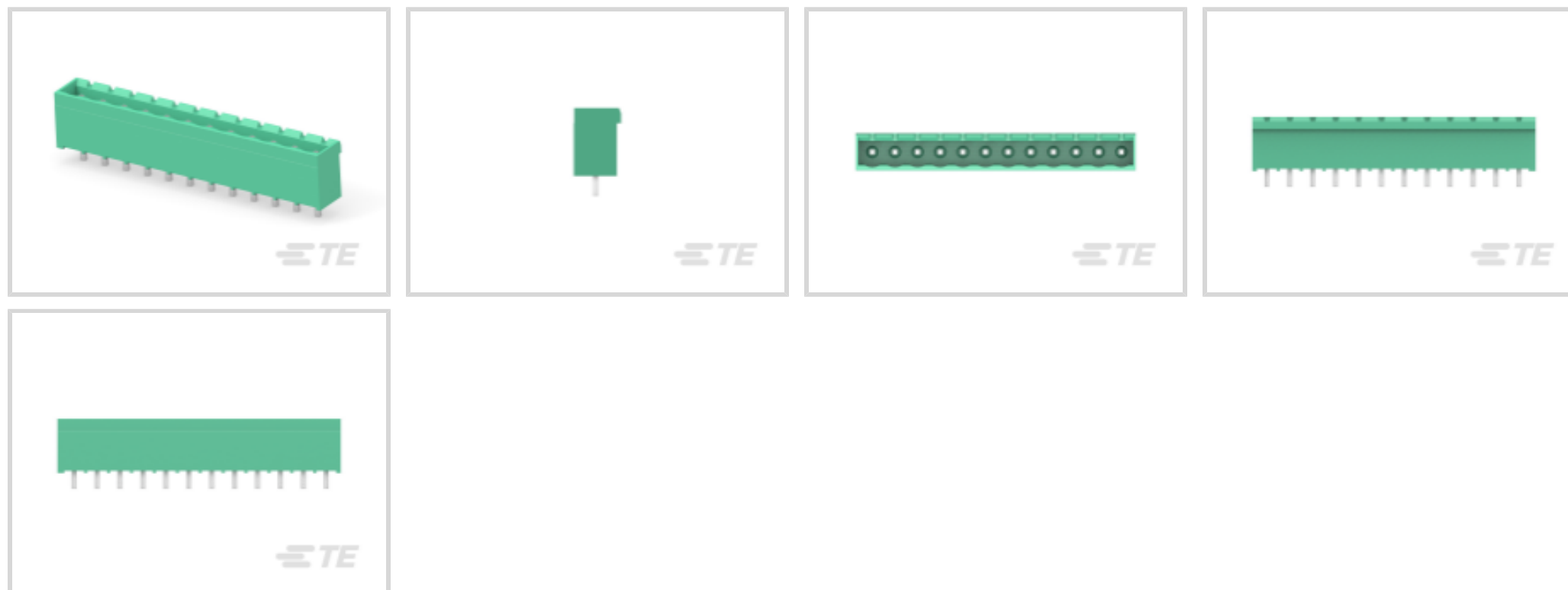
TE Internal #: 1-796636-2

PCB Terminal Blocks, Header, Wire-to-Board, 12 Position, .2 in [5.08 mm] Centerline, 1 Row, 30 – 12 AWG Wire Size, .05 – 3 mm² Wire Size

[View on TE.com >](#)



Connectors > Terminal Blocks & Strips > PCB Terminal Blocks



Terminal Block Connector Type: **Header**

Connector System: **Wire-to-Board**

Number of Positions: **12**

Centerline (Pitch): **5.08 mm [.2 in]**

Number of Rows: **1**

Features

Product Type Features

Header Type	Fully Shrouded
Terminal Block Connector Type	Header
Connector System	Wire-to-Board
Connector & Contact Terminates To	Printed Circuit Board

Configuration Features

Stacking Configuration	Side Stackable
Number of Positions	12
Number of Rows	1

Electrical Characteristics

Operating Voltage	300 VAC
-------------------	---------

Body Features

Primary Product Color	Green
Product Orientation	Vertical



Contact Features

Contact Mating Area Plating Material	Tin
Contact Base Material	Copper Magnesium
Contact Current Rating (Max)	15 A

Termination Features

Termination Post & Tail Length	3.5 mm[.138 in]
Termination Method to Printed Circuit Board	Through Hole - Solder

Mechanical Attachment

Connector Mounting Type	Board Mount
-------------------------	-------------

Housing Features

Housing Material	PA 66
Centerline (Pitch)	5.08 mm[.2 in]

Dimensions

Wire Size	.05 – 3 mm ²
-----------	-------------------------

Usage Conditions

Operating Temperature Range	-40 – 105 °C[-40 – 221 °F]
-----------------------------	----------------------------

Operation/Application

Circuit Application	Power & Signal
---------------------	----------------

Packaging Features

Packaging Quantity	100
Packaging Method	Box

Product Compliance

[For compliance documentation, visit the product page on TE.com>](#)

EU RoHS Directive 2011/65/EU	Compliant
EU ELV Directive 2000/53/EC	Compliant
China RoHS 2 Directive MIIT Order No 32, 2016	No Restricted Materials Above Threshold
EU REACH Regulation (EC) No. 1907/2006	Current ECHA Candidate List: JUNE 2023 (235) Candidate List Declared Against: JUNE 2022 (224) Does not contain REACH SVHC
Halogen Content	Not Yet Reviewed for halogen content

Solder Process Capability

Wave solder capable to 265°C

Product Compliance Disclaimer

This information is provided based on reasonable inquiry of our suppliers and represents our current actual knowledge based on the information they provided. This information is subject to change. The part numbers that TE has identified as EU RoHS compliant have a maximum concentration of 0.1% by weight in homogenous materials for lead, hexavalent chromium, mercury, PBB, PBDE, DBP, BBP, DEHP, DIBP, and 0.01% for cadmium, or qualify for an exemption to these limits as defined in the Annexes of Directive 2011/65/EU (RoHS2). Finished electrical and electronic equipment products will be CE marked as required by Directive 2011/65/EU. Components may not be CE marked. Additionally, the part numbers that TE has identified as EU ELV compliant have a maximum concentration of 0.1% by weight in homogenous materials for lead, hexavalent chromium, and mercury, and 0.01% for cadmium, or qualify for an exemption to these limits as defined in the Annexes of Directive 2000/53/EC (ELV). Regarding the REACH Regulation, the information TE provides on SVHC in articles for this part number is based on the latest European Chemicals Agency (ECHA) 'Guidance on requirements for substances in articles' posted at this URL: <https://echa.europa.eu/guidance-documents/guidance-on-reach>

Compatible Parts

 <p>TE Part # 1-284041-2 TERMINAL BLOCK VERTICAL PLUG S</p>	 <p>TE Part # 1-796634-2 12 POS 5.08MM R/A PLUG, TRM BLK</p>	 <p>TE Part # 1-1546111-2 EUROSTYLE TB, HEADER, GREY, 12POS</p>	 <p>TE Part # 1-284047-2 TERMI-BLOK VERTICAL PLUG STACK</p>
 <p>TE Part # 1-796635-2 12 POS 5.08MM R/A PLUG, TRM BLK</p>	 <p>TE Part # 1-1986262-2 Female Spring Connector, Green, 5.08, 12</p>	 <p>TE Part # 4-796635-0 12 POS 5.08MM R/A PLUG, TRM BLK</p>	

Customers Also Bought

 <p>TE Part #1609989-1 7BCF10=F8232</p>	 <p>TE Part #8-1971793-2 NEW GI CONN2.5 PLUG HSG 8P BLUA</p>	 <p>TE Part #1-1393243-5 RTE24524</p>	 <p>TE Part #1892302-1 MBXL R/A HDR DB 11P+12S</p>
--	--	--	---



TE Part #5645522-1
MSS, SER 4, W/SEAL,SN-SN,STRIP



TE Part #4-1437651-1
6DBL-04-006=6 SERIES



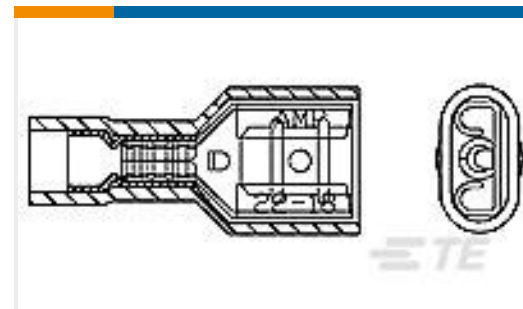
TE Part #5-1879353-0
RR02 5% 470K AMMO



TE Part #2-1879354-1
RR03 5% 2R2 AMMO



TE Part #4-1971793-3
NEW GI CONN2.5 PLUG HSG 4P RED



TE Part #735279
REC FASTON SERIES 635 PIDG

Documents

Product Drawings

[12POS 5.08MM CE VRT HDR,TRM BK](#)

English

CAD Files

Customer View Model

[ENG_CVM_CVM_1-796636-2_B.2d_dxf.zip](#)

English

[3D PDF](#)

3D

Customer View Model

[ENG_CVM_CVM_1-796636-2_B.3d_igs.zip](#)

English

Customer View Model

[ENG_CVM_CVM_1-796636-2_B.3d_stp.zip](#)

English

By downloading the CAD file I accept and agree to the [Terms and Conditions](#) of use.

Datasheets & Catalog Pages

[Eurostyle Terminal Blocks Focus Product Stock List](#)

English

[BUCHANAN TERMINAL BLOCKS CATALOG - EUROSTYLE TERMINAL BLOCKS](#)

English

[BUCHANAN PCB TERMINAL BLOCKS](#)

English

[1-1773458-1_EURO_STYLE_TERMINAL_BLOCKS_QRG](#)

English



Product Specifications

Application Specification

English

Agency Approvals

UL

English