

1-770985-0 ✓ ACTIVE

MATE-N-LOK | Mini-Universal MATE-N-LOK

TE Internal #: 1-770985-0

Power Contacts, Contact, 600 VAC, 600 VDC, Gold, 26 – 22 AWG

Wire Size, .12 – .4 mm² Wire Size, Wire & Cable, Crimp, Power, Mini-

Universal MATE-N-LOK

[View on TE.com >](#)



Connectors > Power Connectors > Power Contacts



Power Contact Type: **Contact**

Operating Voltage: **600 VDC**

Contact Mating Area Plating Material: **Gold**

Wire Size: **26 – 22 AWG**

Features

Product Type Features

| | |
|------------------------------------|--------------|
| Compatible With Discrete Wire Type | Stranded |
| Power Contact Type | Contact |
| Connector & Contact Terminates To | Wire & Cable |

Electrical Characteristics

| | |
|-------------------|---------|
| Operating Voltage | 600 VDC |
|-------------------|---------|

Contact Features

| | |
|---|-------------------|
| Contact Mating Area Plating Material | Gold |
| Contact Current Rating (Max) | 9.5 A |
| Contact Type | Pin |
| Contact Retention Within Housing | With |
| Mating Pin Diameter | 1 mm [.039 in] |
| Contact Base Material | Brass |
| Contact Mating Area Plating Material Thickness | .76 µm [30 µin] |
| Wire Contact Termination Area Plating Thickness | 2.54 µm [100 µin] |
| Wire Contact Termination Area Plating Material | Tin |



| | |
|---|-----------------|
| Wire Contact Termination Area Plating Material Finish | Bright |
| Contact Orientation | Straight |
| Contact Underplating Material | Nickel |
| Contact Underplating Material Thickness | 1.27 µm[50 µin] |

Termination Features

| | |
|------------------------------------|-------|
| Termination Method to Wire & Cable | Crimp |
|------------------------------------|-------|

Mechanical Attachment

| | |
|-------------------------|---------|
| Wire Insulation Support | Without |
|-------------------------|---------|

Dimensions

| | |
|--------------------------------------|--------------------------------|
| Wire Size | .12 – .4 mm ² |
| Compatible Insulation Diameter Range | 1.19 – 1.75 mm[.047 – .069 in] |

Usage Conditions

| | |
|-----------------------------|----------------------------|
| Operating Temperature Range | -55 – 105 °C[-67 – 221 °F] |
|-----------------------------|----------------------------|

Operation/Application

| | |
|---------------------|-------|
| Circuit Application | Power |
|---------------------|-------|

Industry Standards

| | |
|------------------------|--------------------|
| CSA Rating | Certified, LR 7189 |
| UL Rating | Recognized |
| Agency/Standard | CSA, UL |
| UL Flammability Rating | UL 94V-0 |

Packaging Features

| | |
|--------------------|-----------|
| Packaging Quantity | 1000 |
| Packaging Method | Bag & Box |

Product Compliance

[For compliance documentation, visit the product page on TE.com>](#)

| | |
|---|--|
| EU RoHS Directive 2011/65/EU | Compliant |
| EU ELV Directive 2000/53/EC | Compliant |
| China RoHS 2 Directive MIIT Order No 32, 2016 | No Restricted Materials Above Threshold |
| EU REACH Regulation (EC) No. 1907/2006 | Current ECHA Candidate List: JUNE 2023 (235) Candidate List Declared Against: JUNE 2023 (235) |



Does not contain REACH SVHC

Halogen Content

Low Halogen - Br, Cl, F, I < 900 ppm per homogenous material. Also BFR/CFR/PVC Free

Solder Process Capability

Not applicable for solder process capability

Product Compliance Disclaimer

This information is provided based on reasonable inquiry of our suppliers and represents our current actual knowledge based on the information they provided. This information is subject to change. The part numbers that TE has identified as EU RoHS compliant have a maximum concentration of 0.1% by weight in homogenous materials for lead, hexavalent chromium, mercury, PBB, PBDE, DBP, BBP, DEHP, DIBP, and 0.01% for cadmium, or qualify for an exemption to these limits as defined in the Annexes of Directive 2011/65/EU (RoHS2). Finished electrical and electronic equipment products will be CE marked as required by Directive 2011/65/EU. Components may not be CE marked. Additionally, the part numbers that TE has identified as EU ELV compliant have a maximum concentration of 0.1% by weight in homogenous materials for lead, hexavalent chromium, and mercury, and 0.01% for cadmium, or qualify for an exemption to these limits as defined in the Annexes of Directive 2000/53/EC (ELV). Regarding the REACH Regulation, the information TE provides on SVHC in articles for this part number is based on the latest European Chemicals Agency (ECHA) 'Guidance on requirements for substances in articles' posted at this URL: <https://echa.europa.eu/guidance-documents/guidance-on-reach>

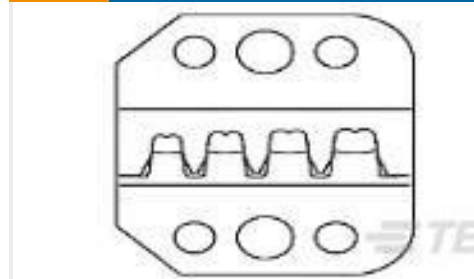
Compatible Parts



TE Part # CAT-AM71-C83998EE
Mini Circular Plastic Connectors (CPC)



TE Part # 91529-1
CCII MINI-UMNL PIN 26-22 ASSY



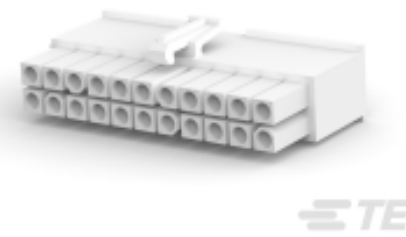
TE Part # 90758-2
PROCRIMP DIE MINI UNIV MNL



TE Part # 189727-1
EXTRACTION TOOL



TE Part # 455830-1
INSERTION TOOL



TE Part # 770586-1
22P MINI UMNL PLUG HSG



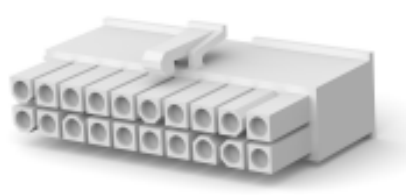
TE Part # 794942-1
10P MINI UMNL CAP HSG



TE Part # 770587-1
24P MINI UMNL PLUG HSG



TE Part # 770582-1
14P MINI UMNL PLUG HSG



TE Part # 770585-1
20P MINI UMNL PLUG HSG



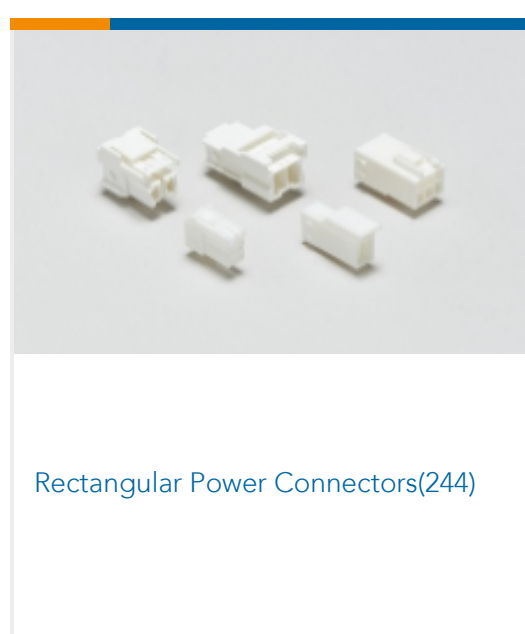
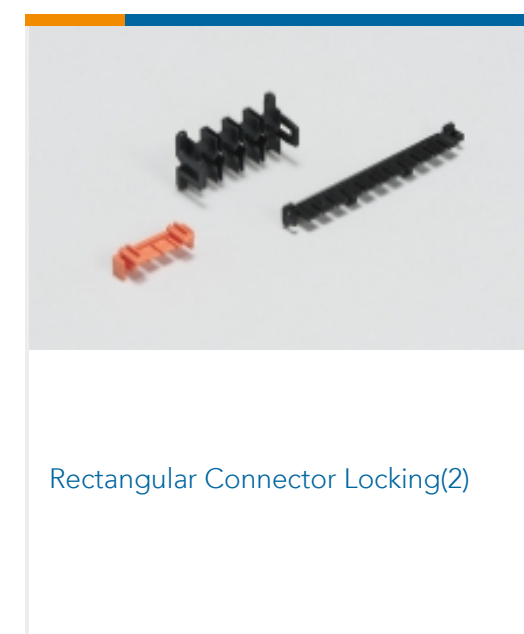
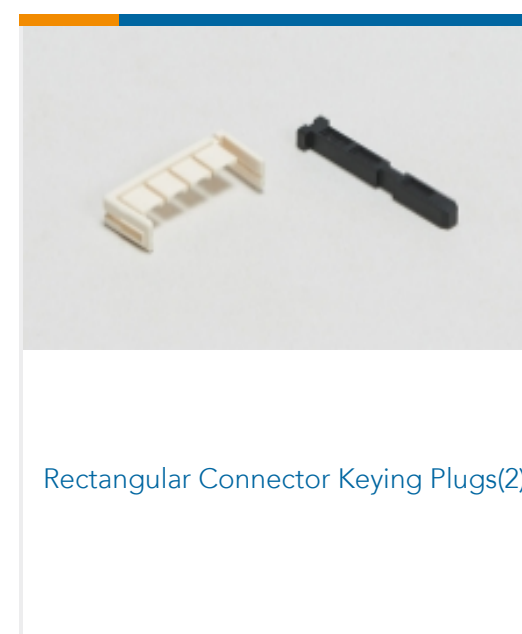
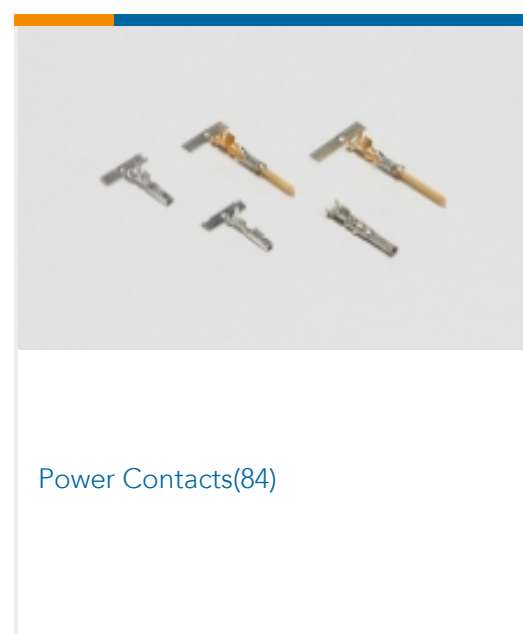
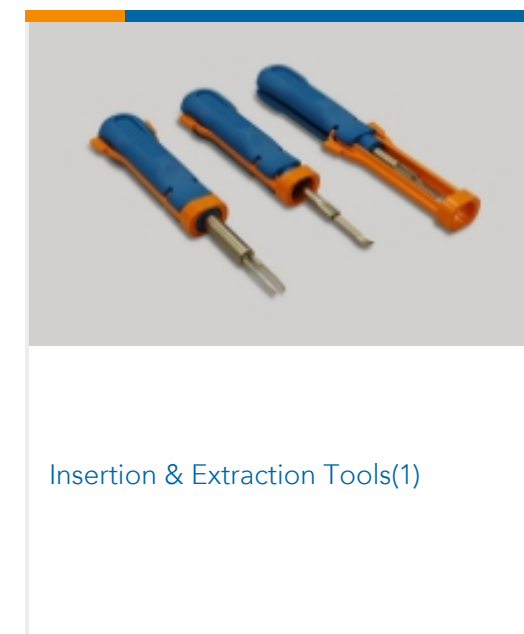
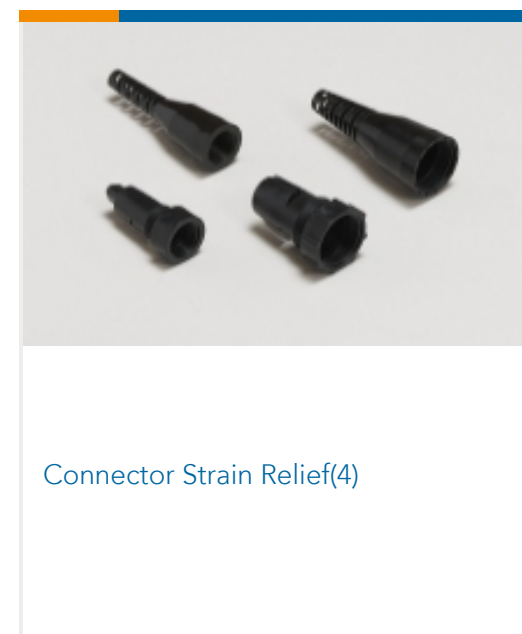
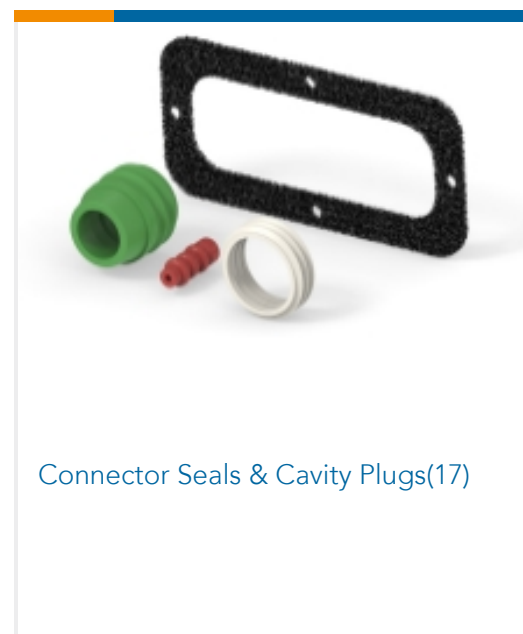
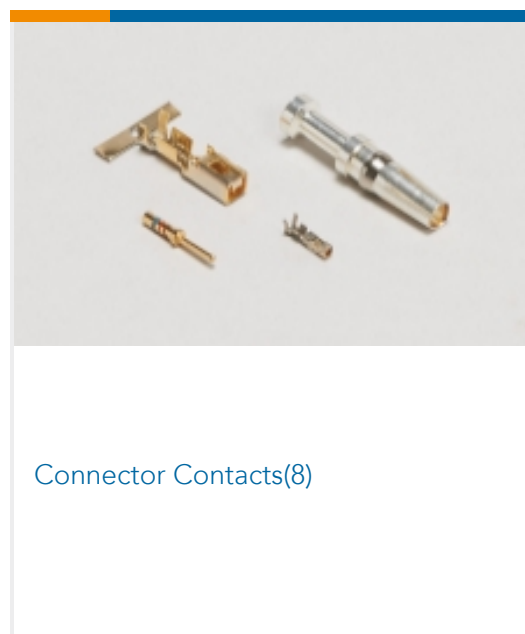
TE Part # 172333-1
MINI UNIVERSAL M-N-L HOUSING



TE Part # 794781-1
10P MINI UMNL PLUG HSG



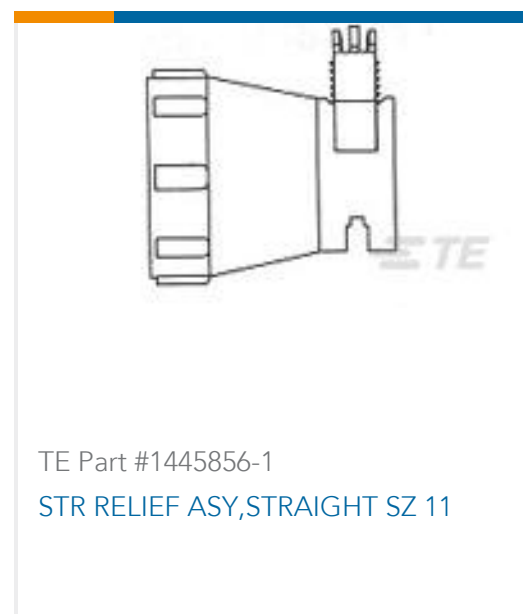
Also in the Series | Mini-Universal MATE-N-LOK



Customers Also Bought



TE Part #1445816-1
RECEPT, 11-9, FLNG MT, STD KEY



TE Part #1445856-1
STR RELIEF ASY, STRAIGHT SZ 11



TE Part #1-172168-2
MINI UNIVERSAL M-N-L PLUG 6P



TE Part #222163-1
BUSHING INSULATING



TE Part #859526-4
4 CAV FLANGED RECEPT KIT



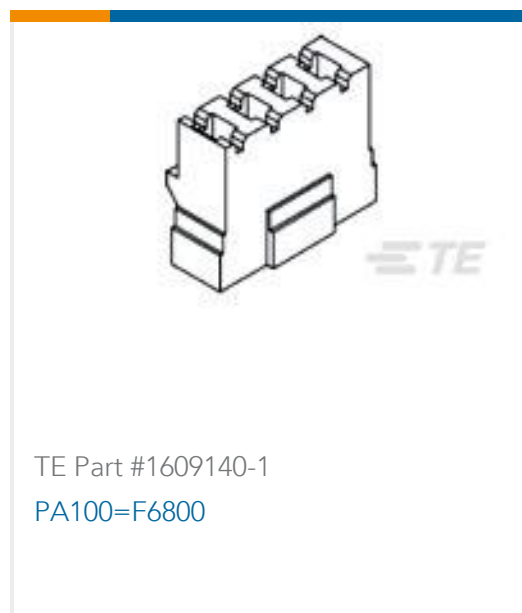
TE Part #2273005-4
M8 x 1.0 straight socket Pigtail Shld



TE Part #G-MRCO-050
AMR Position Sensors



TE Part #NB12834001
RNF-100-1/2-CL-SP



TE Part #1609140-1
PA100=F6800

Documents

Product Drawings

[MINI UMNL PIN 26-22AWG AU LP](#)

English

CAD Files

[3D PDF](#)

English

[Customer View Model](#)

[ENG_CVM_1-770985-0_G.2d_dxf.zip](#)

English

[Customer View Model](#)

[ENG_CVM_1-770985-0_G.3d_igs.zip](#)

English

[Customer View Model](#)

[ENG_CVM_1-770985-0_G.3d_stp.zip](#)

English

[3D PDF](#)

3D



Customer View Model

[ENG_CVM_CVM_1-770985-0_D.2d_dxf.zip](#)

English

Customer View Model

[ENG_CVM_CVM_1-770985-0_D.3d_igs.zip](#)

English

Customer View Model

[ENG_CVM_CVM_1-770985-0_D.3d_stp.zip](#)

English

By downloading the CAD file I accept and agree to the [Terms and Conditions](#) of use.

Datasheets & Catalog Pages

[AMP Circular Connectors for Commercial Signal & Power Applications Continued](#)

English

[SOFT_SHELL_PIN_AND_SOCKET_CONNECTORS_CATALOG](#)

English

Product Specifications

[Application Specification](#)

English

Product Environmental Compliance

[MD_1-770985-0_04042014231_dmtec](#)

English

[MD_1-770985-0_04042014231_dmtec](#)

English

Instruction Sheets

[Instruction Sheet \(U.S.\)](#)

English