



Connectors > D-Shaped Connectors > D-Sub Connectors > IDC D-Sub Connectors > IDC D-Sub: Plug Assembly, Wire to Wire, Signal, 2.77 mm



Connector & Housing Type: **Plug**

Solid Wire Size: **22 – 20 AWG**

Shielded: **No**

Connector System: **Wire-to-Wire**

Number of Positions: **9**

[All IDC D-Sub: Plug Assembly, Wire to Wire, Signal, 2.77 mm \(21\)](#)

Features

Product Type Features

Shell Material Configuration	Full Metal Shell
Ground Feature Type	Grounding Indents
Connector & Housing Type	Plug
Connector System	Wire-to-Wire
Connector Product Type	Connector Assembly
Connector Shell Size	1
Connector & Contact Terminates To	Wire & Cable

Configuration Features

Number of Positions	9
Number of Rows	2
Compatible With Wire & Cable Type	Discrete Wire, Round Jacketed Cable

Body Features

Insert Material	Thermoplastic
Cable Exit Angle	180°
Shell Plating Material	Tin

Contact Features

Contact Type	Pin
--------------	-----



Wire Contact Termination Area Plating Material Finish	Matte
---	-------

	30 µin
--	--------

Contact Size	Size 20
--------------	---------

Contact Current Rating (Max)	2.4 A
------------------------------	-------

Mechanical Attachment

Mating Retention	With
------------------	------

Mating Retention Type	Mounting Holes
-----------------------	----------------

Connector Mounting Type	Cable Mount (Free-Hanging)
-------------------------	----------------------------

Housing Features

Shell Material	Steel
----------------	-------

Centerline (Pitch)	2.77 mm [.054 in]
--------------------	-------------------

Dimensions

Solid Wire Size	22 – 20 AWG
-----------------	-------------

Wire Size	.4 – .6 mm ²
-----------	-------------------------

Operation/Application

Shielded	No
----------	----

Circuit Application	Signal
---------------------	--------

Industry Standards

UL Flammability Rating	UL 94V-0
------------------------	----------

Packaging Features

Packaging Quantity	140
--------------------	-----

Packaging Method	Package
------------------	---------

Other

D-Shaped Connectors Comment	Connectors can be made available with clinch nuts, contact AMP Incorporated
-----------------------------	---

Product Compliance

[For compliance documentation, visit the product page on TE.com>](#)

EU RoHS Directive 2011/65/EU	Compliant
------------------------------	-----------

EU ELV Directive 2000/53/EC	Compliant
-----------------------------	-----------

China RoHS 2 Directive MIIT Order No 32, 2016	No Restricted Materials Above Threshold
---	---

EU REACH Regulation (EC) No. 1907/2006	
--	--



Current ECHA Candidate List: JUNE 2023 (235)
 Candidate List Declared Against: JUNE 2023 (235)
 Does not contain REACH SVHC

Halogen Content	Not Low Halogen - contains Br or Cl > 900 ppm.
-----------------	--

Solder Process Capability	Not applicable for solder process capability
---------------------------	--

Product Compliance Disclaimer

This information is provided based on reasonable inquiry of our suppliers and represents our current actual knowledge based on the information they provided. This information is subject to change. The part numbers that TE has identified as EU RoHS compliant have a maximum concentration of 0.1% by weight in homogenous materials for lead, hexavalent chromium, mercury, PBB, PBDE, DBP, BBP, DEHP, DIBP, and 0.01% for cadmium, or qualify for an exemption to these limits as defined in the Annexes of Directive 2011/65/EU (RoHS2). Finished electrical and electronic equipment products will be CE marked as required by Directive 2011/65/EU. Components may not be CE marked. Additionally, the part numbers that TE has identified as EU ELV compliant have a maximum concentration of 0.1% by weight in homogenous materials for lead, hexavalent chromium, and mercury, and 0.01% for cadmium, or qualify for an exemption to these limits as defined in the Annexes of Directive 2000/53/EC (ELV). Regarding the REACH Regulation, the information TE provides on SVHC in articles for this part number is based on the latest European Chemicals Agency (ECHA) 'Guidance on requirements for substances in articles' posted at this URL: <https://echa.europa.eu/guidance-documents/guidance-on-reach>

Compatible Parts

 <p>TE Part # CAT-AM7-248H6 IDC D-Sub: Receptacle Kit, Wire to Wire, Signal, 2.74 mm</p>	 <p>TE Part # CAT-023-DRARS1274 D-Sub Receptacle Assembly: Right Angle, Shell Size 1, 2.74mm</p>	 <p>TE Part # CAT-AM7-253 IDC D-Sub: Receptacle Assembly, Low Profile, Signal, 2.77 mm</p>	 <p>TE Part # CAT-025-DRAVS1274 D-Sub Receptacle Assembly: Vertical, Shell Size 1, 2.74mm</p>
 <p>TE Part # CAT-AM7-248H8 IDC D-Sub: Receptacle Assembly, Wire to Wire, Signal, 2.74 mm</p>	 <p>TE Part # CAT-026-RAVSAP1274 D-Sub Receptacle Assembly: Vertical, Action Pin, Shell Size 1, 2.74mm</p>	 <p>TE Part # CAT-979-DRARE274 D-Sub Receptacle Assembly: Eurostyle, Right Angle, 2.74mm</p>	 <p>TE Part # 747516-7 09 HDE PMOLD RCPT, LEAD FREE</p>




TE Part # 58074-1
MTA 50/100/156 MANUAL TOOL FRAME



TE Part # 5748677-1
PLTD PLST CBL CLMP KIT, SZ 1



TE Part # 5745854-3
CABLE CLAMP KIT, SZ 1



TE Part # 5745171-5
AMPL CBL CLMP KIT SZ 1



TE Part # 5748676-1
DIE CAST CBL CLMP KIT, SZ 1



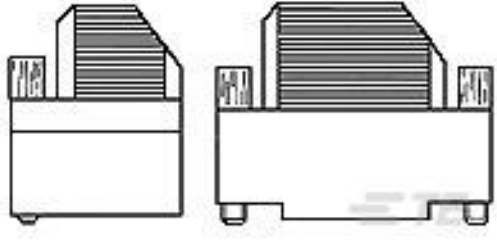
TE Part # 2198617-9
Ni Plated Plastic Backshell, 9 Way, Str



TE Part # 5745183-1
09 RCPT SP/MS STD



TE Part # 5745854-1
CABLE CLAMP KIT, SZ 1



TE Part # 1393738-2
V42254A6000G115=SUB D GEHAEUSE



TE Part # 3-1393483-8
V42254A1115B209=SUB D FEDERLEI




TE Part # 5745183-3
09 RCPT SP/MS STD




TE Part # 5745854-5
CABLE CLAMP KIT, SZ 1

Also in the Series | **AMPLIMITE HDE**




Crimp D-Sub Connectors(1)



D-Sub Connector Contacts(13)



IDC D-Sub Connectors(75)



Insertion & Extraction Tools(2)

Customers Also Bought



TE Part #1-745495-8
25 HDE MS RCPT, 22-26, LEAD FREE



TE Part #1658608-4
09 POS HDF PLUG, MS, LEAD FREE



TE Part #1658539-4
PIN CONT DUPL PLT LP HD-20 AMP



TE Part #2-2176231-2
3522 75R 1% 3W



TE Part #5745171-5
AMPL CBL CLMP KIT SZ 1



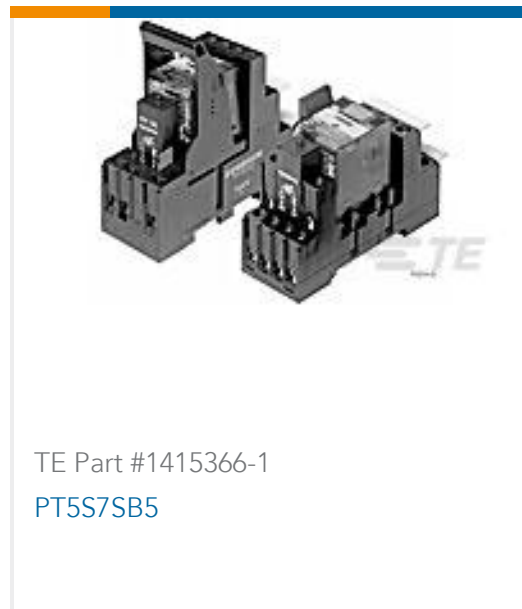
TE Part #1658684-1
HDP-22,RCPT,SIZE 4,62 POSN



TE Part #5746881-1
MALE SCREW RETAINER KIT



TE Part #5207953-3
FEMALE SCREWLOCK, SHORT, ZN



TE Part #1415366-1
PT5S7SB5



TE Part #1-320551-1
PIDG R 22-16 COMM 22-18 MIL 8

Documents

Product Drawings

[PLUG ASSY,9P,HDE,MS](#)

English

CAD Files

Customer View Model

[ENG_CVM_1-745492-9_R.2d_dxf.zip](#)

English

Customer View Model

[ENG_CVM_1-745492-9_R.3d_igs.zip](#)

English

Customer View Model

[ENG_CVM_1-745492-9_R.3d_stp.zip](#)

English

3D PDF

English

By downloading the CAD file I accept and agree to the [Terms and Conditions](#) of use.

Datasheets & Catalog Pages

[AMPLIMITE Subminiature D Connectors - Cable Connectors](#)

English

[AMPLIMITE Cable Connectors and Shielding Hardware Kits QRG](#)

English

Product Specifications

[Application Specification](#)

English



Product Environmental Compliance

Product Compliance

English

Product Compliance

English

Instruction Sheets

Instruction Sheet (U.S.)

English

Agency Approvals

UL Report

English