



AMP | AMP Type III+

TE Internal #: 1-66359-7

Power Contacts, Contact, Tin, 18 – 14 AWG Wire Size, .8 – 2 mm²

Wire Size, Wire & Cable, Crimp, Power & Signal, Pin, AMP Type III+

[View on TE.com >](#)

Connectors > Power Connectors > Power Contacts



Power Contact Type: **Contact**

Contact Mating Area Plating Material: **Tin**

Wire Size: **.8 – 2 mm²**

Connector & Contact Terminates To: **Wire & Cable**

Features

Product Type Features

Power Contact Type	Contact
Connector & Contact Terminates To	Wire & Cable

Contact Features

Contact Size	Size 16
Contact Mating Area Plating Material	Tin
Contact Current Rating (Max)	25 A
Contact Type	Pin
Contact Retention Within Housing	With
Mating Pin Diameter	1.57 mm[.062 in]
Contact Base Material	Copper Nickel Alloy
Contact Mating Area Plating Material Thickness	2.54 μm[100 μin]
Wire Contact Termination Area Plating Thickness	2.54 μm[100 μin]
Wire Contact Termination Area Plating Material	Tin-Lead
Wire Contact Termination Area Plating Material Finish	Matte
Contact Orientation	Straight



Contact Underplating Material	Nickel
Contact Underplating Material Thickness	1.27 µm[50 µin]

Termination Features

Termination Method to Wire & Cable	Crimp
------------------------------------	-------

Mechanical Attachment

Wire Insulation Support	With
-------------------------	------

Dimensions

Wire Size	.8 – 2 mm ²
Compatible Insulation Diameter Range	2.03 – 2.54 mm[.08 – .1 in]

Usage Conditions

Operating Temperature Range	-55 – 150 °C[-67 – 302 °F]
-----------------------------	----------------------------

Operation/Application

Circuit Application	Power & Signal
---------------------	----------------

Packaging Features

Packaging Quantity	4000
Packaging Method	Reel

Other

Power Connectors Comment	Overall insulation crimp diameter, including crimp barrel, must not exceed 3.18 [.125]., Reverse Reeled For Mini Applicator
--------------------------	---

Product Compliance

For compliance documentation, visit the product page on [TE.com](https://www.te.com)>

EU RoHS Directive 2011/65/EU	Not Compliant
EU ELV Directive 2000/53/EC	Compliant with Exemptions
China RoHS 2 Directive MIIT Order No 32, 2016	Restricted Materials Above Threshold
EU REACH Regulation (EC) No. 1907/2006	Current ECHA Candidate List: JUNE 2023 (235) Candidate List Declared Against: JUNE 2023 (235) SVHC > Threshold: Pb (13% in Component Part) Article Safe Usage Statements: Do not eat, drink or smoke when using this product. Wash thoroughly after handling. Recycle if possible and dispose of the article by following all applicable governmental regulations relevant to your geographic location.

Halogen Content

Low Halogen - Br, Cl, F, I < 900 ppm per homogenous material. Also BFR/CFR/PVC Free

Solder Process Capability

Not applicable for solder process capability

Product Compliance Disclaimer

This information is provided based on reasonable inquiry of our suppliers and represents our current actual knowledge based on the information they provided. This information is subject to change. The part numbers that TE has identified as EU RoHS compliant have a maximum concentration of 0.1% by weight in homogenous materials for lead, hexavalent chromium, mercury, PBB, PBDE, DBP, BBP, DEHP, DIBP, and 0.01% for cadmium, or qualify for an exemption to these limits as defined in the Annexes of Directive 2011/65/EU (RoHS2). Finished electrical and electronic equipment products will be CE marked as required by Directive 2011/65/EU. Components may not be CE marked. Additionally, the part numbers that TE has identified as EU ELV compliant have a maximum concentration of 0.1% by weight in homogenous materials for lead, hexavalent chromium, and mercury, and 0.01% for cadmium, or qualify for an exemption to these limits as defined in the Annexes of Directive 2000/53/EC (ELV). Regarding the REACH Regulation, the information TE provides on SVHC in articles for this part number is based on the latest European Chemicals Agency (ECHA) 'Guidance on requirements for substances in articles' posted at this URL: <https://echa.europa.eu/guidance-documents/guidance-on-reach>

Compatible Parts



TE Part # 200893-2
INSERTION TOOL CONT



TE Part # 305183
EXTRACT TOOL TYPE 2 20-16



TE Part # 2305570-1
Strip Terminal Cutter-Side Feed-No Crimp



TE Part # 91519-1
CCII TYPE III+ PIN SKT 18-14 ASSY



TE Part # 539972-1
EXTRACTION TOOL



TE Part # 2151101-1
OCEAN_2.0_APPLICATOR-S-090F120O



TE Part # 2151101-2
OCEAN_2.0_APPLICATOR-S-090F120O



TE Part # 7-2151101-1
OCEAN_2.0_APPLICATOR-S-090F120O



KIT
TE Part # 7-2151101-7
OCEAN_2.0_SPARE_PART_KIT-090F120O

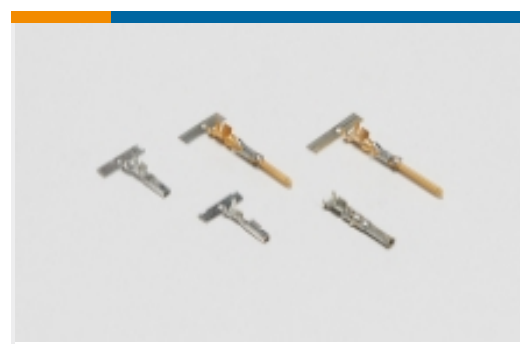


TE Part # 2-2151101-1
OCEAN_2.0_APPLICATOR-S-090F120O

Also in the Series | **AMP Type III+**

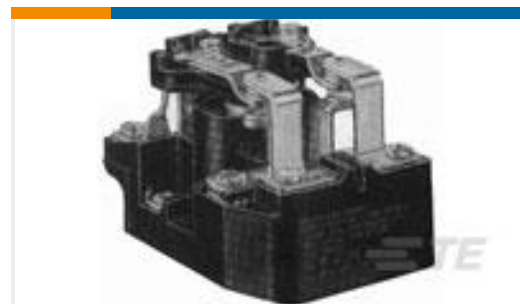
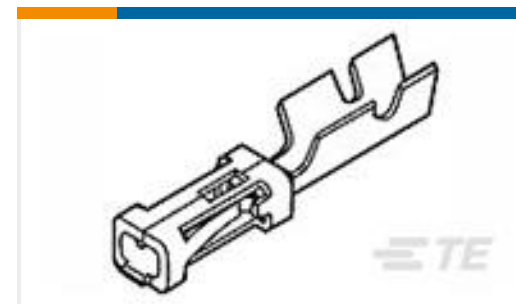
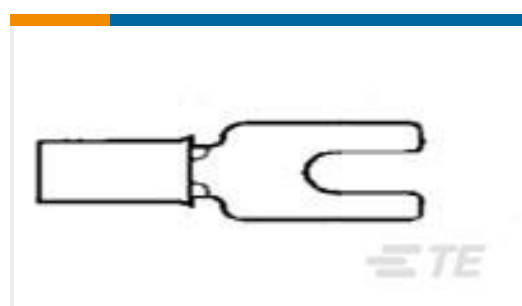


Insertion & Extraction Tools(4)



Power Contacts(409)

Customers Also Bought

TE Part #1-487526-9
020 HOUSING FFC RCPT 100CL SRTE Part #3-1393127-8
PRD-11DG0-24=PRDTE Part #87499-3
02 MODIV HSG SR MRKD .100CLTE Part #102128-2
MOD V RECP LPTE Part #2834076-1
5.0MM TOP ENTRY MSC 2P_GYTE Part #6-2176306-1
RP 1E 0.1W 4K87 0.1% 25PPM 5K RLTE Part #323011
TERMINAL,PIDG R SLTD 26-22 6TE Part #2-66101-0
III+ SKT,18-16,TIN,SMPACKTE Part #40891
SPADE TERMINAL 12-10 AWG BRTE Part #EM7793-000
S01-6-R

Documents

Product Drawings

III+ PIN,18-14,TIN-LEAD,STRIP

English

CAD Files

Customer View Model

ENG_CVM_CVM_1-66359-7_AG.2d_dxf.zip

English

3D PDF



3D

Customer View Model

[ENG_CVM_CVM_1-66359-7_AG.3d_igs.zip](#)

English

Customer View Model

[ENG_CVM_CVM_1-66359-7_AG.3d_stp.zip](#)

English

By downloading the CAD file I accept and agree to the [Terms and Conditions](#) of use.

Product Specifications

[Product Specification](#)

English