



EMI & EMC Solutions > EMI Filters > Power Line Filters > 3-Phase Filters > Corcom 3-Phase Filters, FCD Series



Current Rating: **180 A**

Input Termination Type: **Terminal Block**

Output Termination Type: **Terminal Block**

Wiring Configuration: **DELTA (3 wire + ground)**

Operating Voltage: **480 VAC**

[All Corcom 3-Phase Filters, FCD Series \(24\)](#)

Features

Product Type Features

Filtering Requirements	Filtered
Input Termination Type	Terminal Block
Output Termination Type	Terminal Block

Configuration Features

Wiring Configuration	DELTA (3 wire + ground)
----------------------	-------------------------

Electrical Characteristics

Leakage Current (Max) (250VAC, 50Hz)	.92 mA
Current Rating	180 A
Operating Voltage	480 VAC

Mechanical Attachment

Product Mount Type	Chassis
--------------------	---------

Usage Conditions

Operating Temperature Range	-10 – 40 °C
-----------------------------	-------------

Product Compliance

[For compliance documentation, visit the product page on TE.com>](#)



EU RoHS Directive 2011/65/EU	Compliant
EU ELV Directive 2000/53/EC	Compliant
China RoHS 2 Directive MIIT Order No 32, 2016	No Restricted Materials Above Threshold
EU REACH Regulation (EC) No. 1907/2006	Current ECHA Candidate List: JUNE 2023 (235) Candidate List Declared Against: JAN 2023 (233) Does not contain REACH SVHC
Halogen Content	Not Low Halogen - contains Br or Cl > 900 ppm.
Solder Process Capability	Not applicable for solder process capability

Product Compliance Disclaimer

This information is provided based on reasonable inquiry of our suppliers and represents our current actual knowledge based on the information they provided. This information is subject to change. The part numbers that TE has identified as EU RoHS compliant have a maximum concentration of 0.1% by weight in homogenous materials for lead, hexavalent chromium, mercury, PBB, PBDE, DBP, BBP, DEHP, DIBP, and 0.01% for cadmium, or qualify for an exemption to these limits as defined in the Annexes of Directive 2011/65/EU (RoHS2). Finished electrical and electronic equipment products will be CE marked as required by Directive 2011/65/EU. Components may not be CE marked. Additionally, the part numbers that TE has identified as EU ELV compliant have a maximum concentration of 0.1% by weight in homogenous materials for lead, hexavalent chromium, and mercury, and 0.01% for cadmium, or qualify for an exemption to these limits as defined in the Annexes of Directive 2000/53/EC (ELV). Regarding the REACH Regulation, the information TE provides on SVHC in articles for this part number is based on the latest European Chemicals Agency (ECHA) 'Guidance on requirements for substances in articles' posted at this URL: <https://echa.europa.eu/guidance-documents/guidance-on-reach>

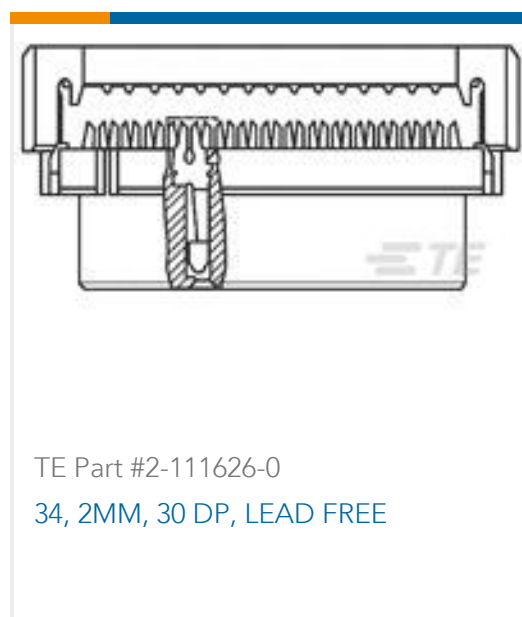
Compatible Parts



Also in the Series | Corcom FCD



Customers Also Bought



Documents

CAD Files

3D PDF

3D

Customer View Model

[ENG_CVM_CVM_1-6609070-0_A.2d_dxf.zip](#)

English

Customer View Model

[ENG_CVM_CVM_1-6609070-0_A.3d_igs.zip](#)

English

Customer View Model

[ENG_CVM_CVM_1-6609070-0_A.3d_stp.zip](#)

English

By downloading the CAD file I accept and agree to the [Terms and Conditions](#) of use.

Datasheets & Catalog Pages

[1654001_CORCOM_PRODUCT_GUIDE](#)

English

[1654001_CORCOM_PRODUCT_GUIDE_FCD_SERIES](#)

English

Corcom Combined Selector Charts

English

[1-1654250-1_CORCOM_EMI_RFI_QRG](#)

English

[1773449-2_CORCOM_HIGH_CURRENT](#)

1-6609070-0

3-Phase Filters, 180A Current Rating, Terminal Block Input, Terminal Block Output,
DELTA (3 wire + ground), Operating Voltage 480 VAC, Corcom FCD



English