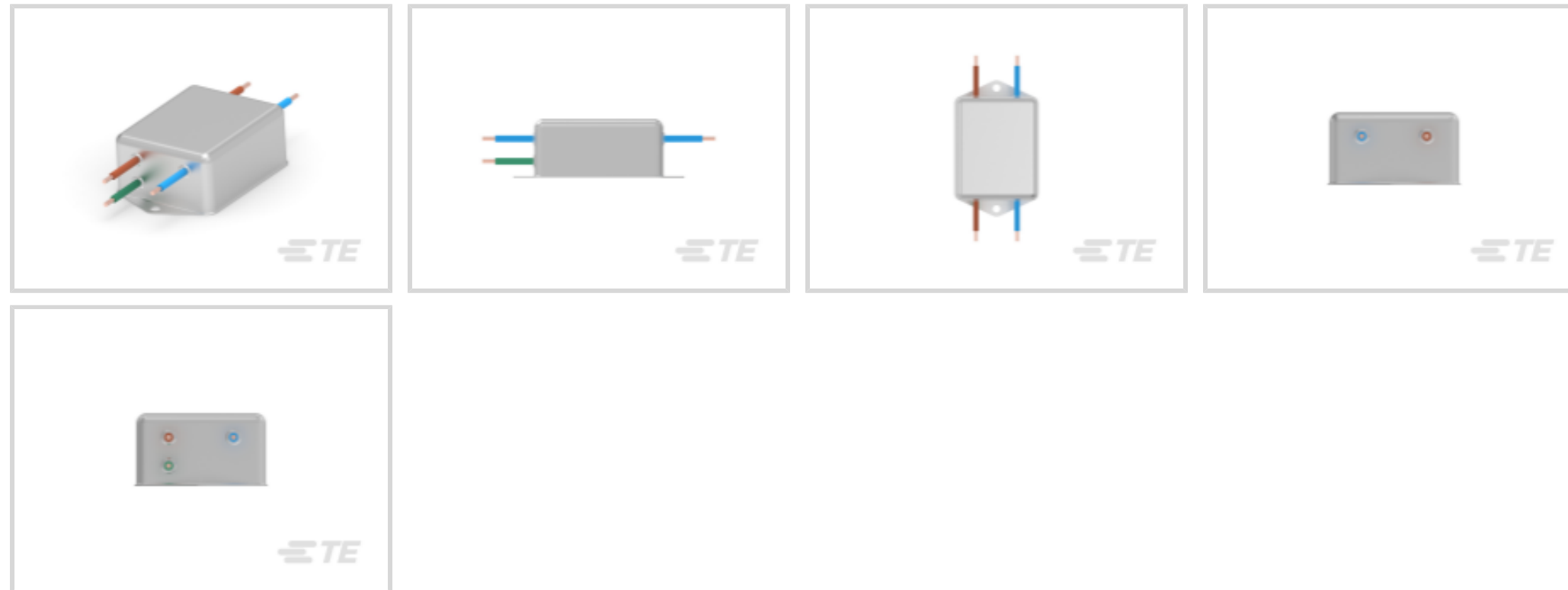




EMI & EMC Solutions > EMI Filters > Power Line Filters > Single Phase Filters > Single Phase Filters, Corcom EMC Series



Current Rating: **6 A**

Input Termination Type: **Wire Lead**

Output Termination Type: **Wire Lead**

Leakage Current (Max) (120VAC, 60Hz): **.21 mA**

Leakage Current (Max) (250VAC, 50Hz): **.36 mA**

[All Single Phase Filters, Corcom EMC Series \(13\)](#)

## Features

### Product Type Features

Ground Choke Option	No
Filtering Requirements	Filtered
Input Termination Type	Wire Lead
Output Termination Type	Wire Lead

### Electrical Characteristics

Operating Voltage	250 VAC
Current Rating	6 A
Leakage Current (Max) (120VAC, 60Hz)	.21 mA
Leakage Current (Max) (250VAC, 50Hz)	.36 mA

### Mechanical Attachment

Panel Mount Feature Type	Flanged
--------------------------	---------

### Usage Conditions

Operating Temperature Range	-10 – 40 °C
-----------------------------	-------------

## Product Compliance

[For compliance documentation, visit the product page on TE.com>](#)

EU RoHS Directive 2011/65/EU	Compliant
EU ELV Directive 2000/53/EC	Compliant
China RoHS 2 Directive MIIT Order No 32, 2016	No Restricted Materials Above Threshold
EU REACH Regulation (EC) No. 1907/2006	Current ECHA Candidate List: JUNE 2023 (235) Candidate List Declared Against: JUNE 2023 (235) Does not contain REACH SVHC
Halogen Content	Not Low Halogen - contains Br or Cl > 900 ppm.
Solder Process Capability	Not applicable for solder process capability

### Product Compliance Disclaimer

This information is provided based on reasonable inquiry of our suppliers and represents our current actual knowledge based on the information they provided. This information is subject to change. The part numbers that TE has identified as EU RoHS compliant have a maximum concentration of 0.1% by weight in homogenous materials for lead, hexavalent chromium, mercury, PBB, PBDE, DBP, BBP, DEHP, DIBP, and 0.01% for cadmium, or qualify for an exemption to these limits as defined in the Annexes of Directive 2011/65/EU (RoHS2). Finished electrical and electronic equipment products will be CE marked as required by Directive 2011/65/EU. Components may not be CE marked. Additionally, the part numbers that TE has identified as EU ELV compliant have a maximum concentration of 0.1% by weight in homogenous materials for lead, hexavalent chromium, and mercury, and 0.01% for cadmium, or qualify for an exemption to these limits as defined in the Annexes of Directive 2000/53/EC (ELV). Regarding the REACH Regulation, the information TE provides on SVHC in articles for this part number is based on the latest European Chemicals Agency (ECHA) 'Guidance on requirements for substances in articles' posted at this URL: <https://echa.europa.eu/guidance-documents/guidance-on-reach>

## Compatible Parts



Also in the Series | [Corcom EMC](#)



Single Phase Filters(13)

### Customers Also Bought



TE Part #206044-1  
Circular Connector, Environmentally Sealed, CPC Series 6



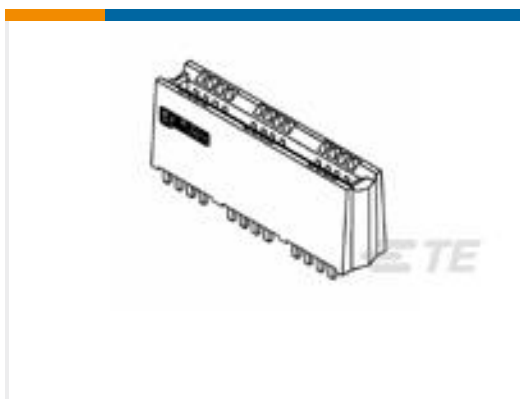
TE Part #1-206062-4  
CABLE CLAMP KIT #11



TE Part #66101-4  
Pin and Socket Contacts, Type III, LP



TE Part #6650384-3  
286-0052-12301A=TA CONN,SKT



TE Part #6651214-1  
286-0022-12100=CONN,SKT, CRNEDGE



TE Part #4-1437567-3  
MPE106F=SWITCH PUSH BUTTON WAT



TE Part #1825069-2  
C23204 CAP RED

### Documents

#### Product Drawings

[6EMC3=F8147](#)

English

#### CAD Files

Customer View Model

[ENG\\_CVM\\_CVM\\_1-6609037-9\\_C.3d\\_igs.zip](#)

English

Customer View Model

[ENG\\_CVM\\_CVM\\_1-6609037-9\\_C.3d\\_stp.zip](#)

English

Customer View Model

[ENG\\_CVM\\_CVM\\_1-6609037-9\\_C.2d\\_dxf.zip](#)

English

#### 3D PDF

3D

Customer View Model



[ENG\\_CVM\\_1-6609037-9\\_A.3d\\_igs.zip](#)

English

**Customer View Model**

[ENG\\_CVM\\_1-6609037-9\\_A.3d\\_stp.zip](#)

English

**Customer View Model**

[ENG\\_CVM\\_1-6609037-9\\_A.2d\\_dxf.zip](#)

English

**3D PDF**

English

By downloading the CAD file I accept and agree to the [Terms and Conditions](#) of use.

### Datasheets & Catalog Pages

[1654001\\_CORCOM\\_PRODUCT\\_GUIDE](#)

English

[1654001\\_CORCOM\\_PRODUCT\\_GUIDE EMC\\_SERIES](#)

English

**Corcom Combined Selector Charts**

English

[1-1654250-1\\_CORCOM\\_EMI\\_RFI\\_QRG](#)

English