

# 15EMC1 ✓ ACTIVE

Corcom | Corcom EMC

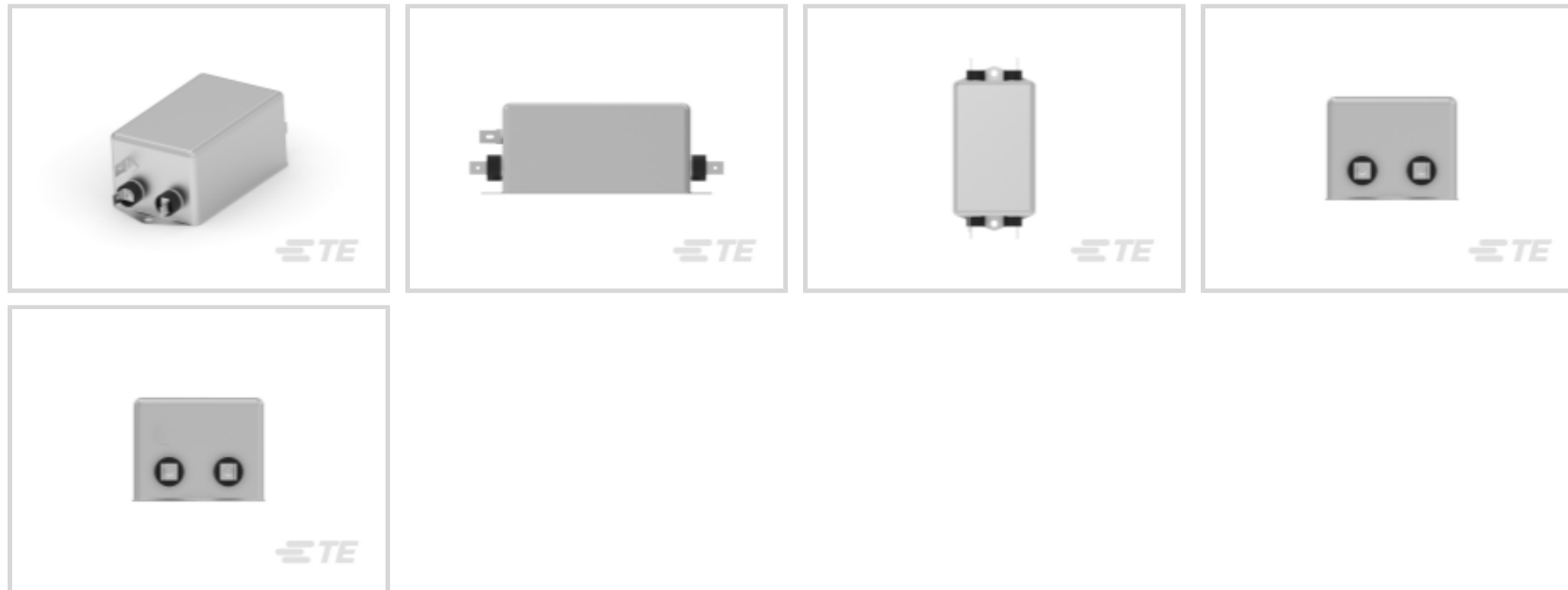
TE Internal #: 1-6609037-4

Single Phase Filters, 15A Current Rating, .250" FASTON Input, .250" FASTON Output, Corcom EMC

[View on TE.com >](#)



EMI & EMC Solutions > EMI Filters > Power Line Filters > Single Phase Filters > Single Phase Filters, Corcom EMC Series



Current Rating: 15 A

Input Termination Type: .250" FASTON

Output Termination Type: .250" FASTON

Leakage Current (Max) (120VAC, 60Hz): .21 mA

Leakage Current (Max) (250VAC, 50Hz): .36 mA

[All Single Phase Filters, Corcom EMC Series \(13\)](#)

## Features

### Product Type Features

Ground Choke Option	No
Filtering Requirements	Filtered
Input Termination Type	.250" FASTON
Output Termination Type	.250" FASTON

### Electrical Characteristics

Operating Voltage	250 VAC
Current Rating	15 A
Leakage Current (Max) (120VAC, 60Hz)	.21 mA
Leakage Current (Max) (250VAC, 50Hz)	.36 mA

### Mechanical Attachment

Panel Mount Feature Type	Flanged
--------------------------	---------

### Usage Conditions

Operating Temperature Range	-10 – 40 °C
-----------------------------	-------------



## Product Compliance

[For compliance documentation, visit the product page on TE.com>](#)

EU RoHS Directive 2011/65/EU	Compliant
EU ELV Directive 2000/53/EC	Compliant
China RoHS 2 Directive MIIT Order No 32, 2016	No Restricted Materials Above Threshold
EU REACH Regulation (EC) No. 1907/2006	Current ECHA Candidate List: JUNE 2023 (235) Candidate List Declared Against: JUNE 2023 (235) Does not contain REACH SVHC
Halogen Content	Not Low Halogen - contains Br or Cl > 900 ppm.
Solder Process Capability	Not applicable for solder process capability

### Product Compliance Disclaimer

This information is provided based on reasonable inquiry of our suppliers and represents our current actual knowledge based on the information they provided. This information is subject to change. The part numbers that TE has identified as EU RoHS compliant have a maximum concentration of 0.1% by weight in homogenous materials for lead, hexavalent chromium, mercury, PBB, PBDE, DBP, BBP, DEHP, DIBP, and 0.01% for cadmium, or qualify for an exemption to these limits as defined in the Annexes of Directive 2011/65/EU (RoHS2). Finished electrical and electronic equipment products will be CE marked as required by Directive 2011/65/EU. Components may not be CE marked. Additionally, the part numbers that TE has identified as EU ELV compliant have a maximum concentration of 0.1% by weight in homogenous materials for lead, hexavalent chromium, and mercury, and 0.01% for cadmium, or qualify for an exemption to these limits as defined in the Annexes of Directive 2000/53/EC (ELV). Regarding the REACH Regulation, the information TE provides on SVHC in articles for this part number is based on the latest European Chemicals Agency (ECHA) 'Guidance on requirements for substances in articles' posted at this URL: <https://echa.europa.eu/guidance-documents/guidance-on-reach>

## Compatible Parts



Also in the Series | [Corcom EMC](#)



Single Phase Filters(13)

## Customers Also Bought



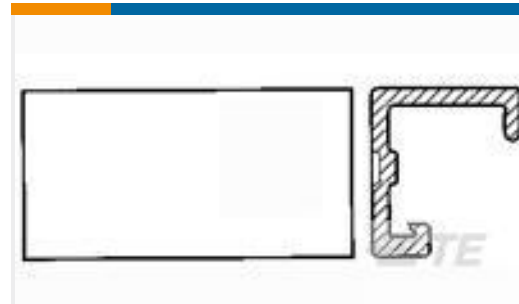
TE Part #640903-1  
RECEPT,PIDG FASTON 22-18 250



TE Part #3-643816-2  
02P MTA100 CONN ASSY POL RIB



TE Part #3-640442-2  
02P MTA100 CONN ASSY BLU



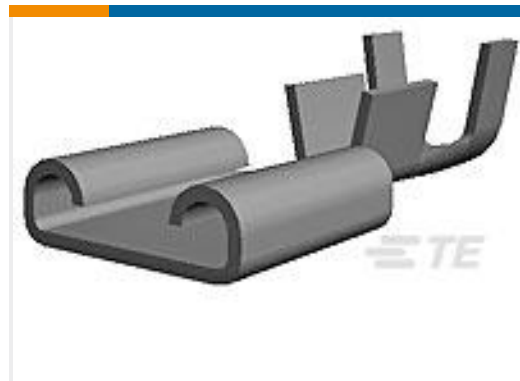
TE Part #640550-2  
02P MTA100 COVER



TE Part #66400-4  
Pin and Socket Contacts, Type III, LP



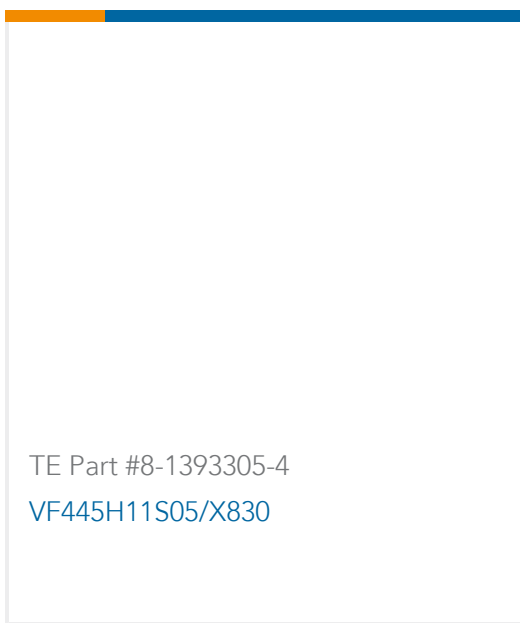
TE Part #3-644465-4  
04P MTA156 CONN ASSY 18AWG  
ORA



TE Part #1-160301-9  
250 FASTON,REC.,10-12 AWG,PHBZ



TE Part #543382-7  
INSERT/EXTRACT TIP 25-KIT



TE Part #8-1393305-4  
VF445H11S05/X830

## Documents

### Product Drawings

15EMC1=F8129

English

### CAD Files

Customer View Model

ENG\_CVM\_CVM\_1-6609037-4\_D.3d\_igs.zip

English

Customer View Model



[ENG\\_CVM\\_CVM\\_1-6609037-4\\_D.3d\\_stp.zip](#)

English

**Customer View Model**

[ENG\\_CVM\\_CVM\\_1-6609037-4\\_D.2d\\_dxf.zip](#)

English

**3D PDF**

3D

**Customer View Model**

[ENG\\_CVM\\_1-6609037-4\\_B.3d\\_igs.zip](#)

English

**Customer View Model**

[ENG\\_CVM\\_1-6609037-4\\_B.3d\\_stp.zip](#)

English

**Customer View Model**

[ENG\\_CVM\\_1-6609037-4\\_B.2d\\_dxf.zip](#)

English

**3D PDF**

English

By downloading the CAD file I accept and agree to the [Terms and Conditions](#) of use.

---

### Datasheets & Catalog Pages

[1654001\\_CORCOM\\_PRODUCT\\_GUIDE](#)

English

[1654001\\_CORCOM\\_PRODUCT\\_GUIDE EMC SERIES](#)

English

[Corcom Combined Selector Charts](#)

English

[1-1654250-1\\_CORCOM\\_EMI\\_RFI\\_QRG](#)

English

---

### Product Environmental Compliance

[Product Compliance](#)

English

[Product Compliance](#)

English