

1-640551-3 ✓ ACTIVE



## MTA 156

TE Internal #: 1-640551-3

PCB Connector Covers, 13 Position, .156 in [3.96 mm] Centerline, Polyester, Standard Product Profile, Dust Cap, -55 – 105 °C [-67 – 221 °F], MTA 156

[View on TE.com >](#)

Connectors > PCB Connectors > PCB Connector Accessories > PCB Protection & Strain Relief > PCB Connector Covers



Number of Positions: **13**

Centerline (Pitch): **3.96 mm [ .156 in ]**

Primary Product Material: **Polyester**

Product Profile: **Standard**

Connector Cover Type: **Dust Cap**

### Features

#### Product Type Features

Product Profile	Standard
Connector Cover Type	Dust Cap

#### Configuration Features

Number of Positions	13
---------------------	----

#### Body Features

Primary Product Color	Natural
Primary Product Material	Polyester

#### Housing Features

Centerline (Pitch)	3.96 mm[.156 in]
--------------------	------------------

#### Usage Conditions

Compatible With IDC Installation Type Connector	Closed End
Operating Temperature Range	-55 – 105 °C[-67 – 221 °F]

#### Industry Standards



UL Flammability Rating	UL 94V-0
------------------------	----------

### Product Compliance



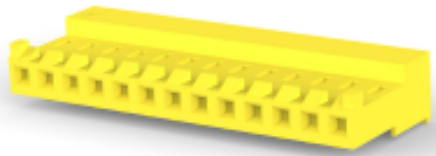
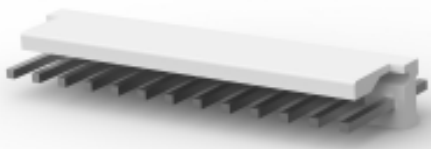
[For compliance documentation, visit the product page on TE.com>](#)

EU RoHS Directive 2011/65/EU	Compliant
EU ELV Directive 2000/53/EC	Compliant
China RoHS 2 Directive MIIT Order No 32, 2016	No Restricted Materials Above Threshold
EU REACH Regulation (EC) No. 1907/2006	Current ECHA Candidate List: JUNE 2023 (235) Candidate List Declared Against: JUNE 2023 (235) Does not contain REACH SVHC
Halogen Content	Not Low Halogen - contains Br or Cl > 900 ppm.
Solder Process Capability	Not applicable for solder process capability

#### Product Compliance Disclaimer

This information is provided based on reasonable inquiry of our suppliers and represents our current actual knowledge based on the information they provided. This information is subject to change. The part numbers that TE has identified as EU RoHS compliant have a maximum concentration of 0.1% by weight in homogenous materials for lead, hexavalent chromium, mercury, PBB, PBDE, DBP, BBP, DEHP, DIBP, and 0.01% for cadmium, or qualify for an exemption to these limits as defined in the Annexes of Directive 2011/65/EU (RoHS2). Finished electrical and electronic equipment products will be CE marked as required by Directive 2011/65/EU. Components may not be CE marked. Additionally, the part numbers that TE has identified as EU ELV compliant have a maximum concentration of 0.1% by weight in homogenous materials for lead, hexavalent chromium, and mercury, and 0.01% for cadmium, or qualify for an exemption to these limits as defined in the Annexes of Directive 2000/53/EC (ELV). Regarding the REACH Regulation, the information TE provides on SVHC in articles for this part number is based on the latest European Chemicals Agency (ECHA) 'Guidance on requirements for substances in articles' posted at this URL: <https://echa.europa.eu/guidance-documents/guidance-on-reach>

### Compatible Parts

 <p>TE Part # 1-640251-3 13P SL156 HSG W/O LCK RAMP</p>	 <p>TE Part # CAT-103156-WBHSM Receptacle Housing: Wire-to-Board, with Mating Alignment, SL156</p>	 <p>TE Part # 4-643818-3 13P MTA156 CONN ASSY 20AWG YEL</p>	 <p>TE Part # 1-644752-3 13P MTA156 HDR ASSY SQ STR F/L</p>
--	---	--	--



 <p>TE Part # 1-640445-3 13P MTA156 HDR ASSY FL/STR SN</p>	 <p>TE Part # 4-640428-3 13P MTA156 CONN ASSY 22AWG RED</p>	 <p>TE Part # 641623-1 MTA156 KEYING PLUG (10/STRIP)</p>	 <p>TE Part # 1-640389-3 13P MTA156 HDR ASSY SQ R/A F/L</p>
 <p>TE Part # 1-770996-3 13P SL 156 HSG W/TABS W/O LR</p>	 <p>TE Part # 4-643817-3 13P MTA156 CONN ASSY 18AWG ORA</p>	 <p>TE Part # 4-643819-3 13P MTA156 CONN ASSY 22AWG LF</p>	 <p>TE Part # 1-640388-3 13P MTA156 HDR ASSY RN STR F/L</p>
 <p>TE Part # 1-640383-3 13P MTA156 HDR ASSY STR SQ SN</p>	 <p>TE Part # 4-640426-3 13P MTA156 CONN ASSY 18AWG ORA</p>	 <p>TE Part # 4-640427-3 13P MTA156 CONN ASSY 20AWG YEL</p>	 <p>TE Part # 4-641208-3 13P MTA156 HDR ASSY FL ST LF</p>
 <p>TE Part # 1-640384-3 13P MTA156 HDR ASSY STR RND SN</p>	 <p>TE Part # 1-640385-3 13P MTA156 HDR ASSY SQ R/A</p>	 <p>TE Part # 1-640387-3 13P MTA156 HDR ASSY SQ R/A</p>	 <p>TE Part # 1-641119-3 13P MTA156 HDR ASSY FL/ST 15AU</p>

Also in the Series | **MTA 156**

 <p>Insertion &amp; Extraction Tools(1)</p>	 <p>PCB Connector Covers(88)</p>	 <p>PCB Connector Keying(2)</p>	 <p>PCB Connector Mounting(1)</p>
--	---	--	--



PCB Headers & Receptacles(314)



Power Contacts(2)



Rectangular Power Connectors(698)



Standard Rectangular Connectors(337)



Wire-to-Board Connector Contacts(2)

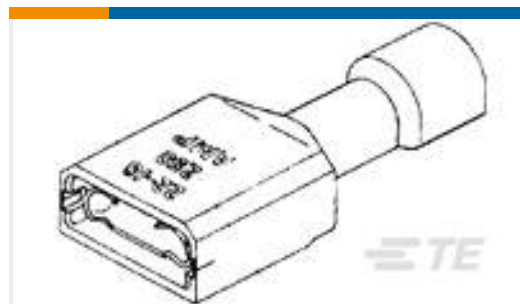
## Customers Also Bought



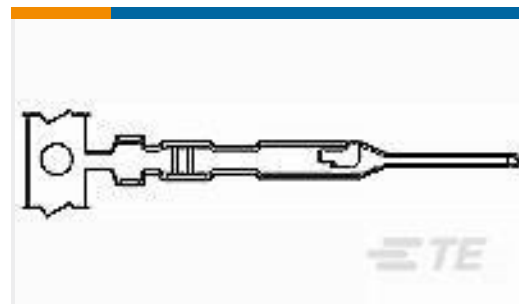
TE Part #2-644861-7  
07P MTA100 SHRD HDR,W/O PEG SN



TE Part #5748676-1  
DIE CAST CBL CLMP KIT,SZ 1



TE Part #2-520407-2  
ULTRA-FAST 250 ASY REC 22-18 TPBR



TE Part #5-104505-6  
MTE PIN 22-26 AWG PLTD



TE Part #1-770008-0  
UMNLII SOK SN/AU/PHBZ LF



TE Part #1879252-8  
RP 2B 4R99 0.1% 15PPM 1K RL



TE Part #DTF13-12PA  
HDR, 12P, GRY, RA, SN/NI/CU, A



TE Part #102320-1  
UNIVERSAL HEADER LATCH



TE Part #58246-1  
MTA 100 CRIMP HEAD REPAIR  
DISCRETE



TE Part #324054  
TERMINAL,T-N R 2 3/8

## Documents



## Product Drawings

### 13P MTA156 COVER

English

## CAD Files

### 3D PDF

3D

#### Customer View Model

[ENG\\_CVM\\_CVM\\_1-640551-3\\_G.2d\\_dxf.zip](#)

English

#### Customer View Model

[ENG\\_CVM\\_CVM\\_1-640551-3\\_G.3d\\_igs.zip](#)

English

#### Customer View Model

[ENG\\_CVM\\_CVM\\_1-640551-3\\_G.3d\\_stp.zip](#)

English

#### Customer View Model

[ENG\\_CVM\\_1-640551-3\\_L.3d\\_igs.zip](#)

English

#### Customer View Model

[ENG\\_CVM\\_1-640551-3\\_L.3d\\_stp.zip](#)

English

#### Customer View Model

[ENG\\_CVM\\_1-640551-3\\_L.2d\\_dxf.zip](#)

English

### 3D PDF

English

By downloading the CAD file I accept and agree to the [Terms and Conditions](#) of use.

## Product Specifications

### Application Specification

Japanese

### Application Specification

English

### MTA 156 Ribbon Cable Connector Assemblies (English And Spanish)

English

### MTA 156 Ribbon Cable Connector Assemblies (English And Spanish)

Japanese

## Product Environmental Compliance

### TE Material Declaration

English