



MTA 100

TE Internal #: 1-640550-8

PCB Connector Covers, 18 Position, .1 in [2.54 mm] Centerline, Polyester, Standard Product Profile, Dust Cap, -40 – 85 °C [-40 – 185 °F], MTA 100

[View on TE.com >](#)

Connectors > PCB Connectors > PCB Connector Accessories > PCB Protection & Strain Relief > PCB Connector Covers >

Polyester PCB Connector Covers: 2.54mm, MTA 100



Number of Positions: **18**

Centerline (Pitch): **2.54 mm [.1 in]**

Primary Product Material: **Polyester**

Product Profile: **Standard**

Connector Cover Type: **Dust Cap**

[All Polyester PCB Connector Covers: 2.54mm, MTA 100 \(29\)](#)

Features

Product Type Features

Product Profile	Standard
Connector Cover Type	Dust Cap

Configuration Features

Number of Positions	18
---------------------	----

Body Features

Primary Product Color	Natural
Primary Product Material	Polyester

Housing Features

Centerline (Pitch)	2.54 mm[.1 in]
--------------------	----------------

Usage Conditions

Compatible With IDC Installation Type Connector	Closed End
---	------------



Operating Temperature Range -40 – 85 °C[-40 – 185 °F]

Industry Standards

UL Flammability Rating UL 94V-0

Product Compliance

[For compliance documentation, visit the product page on TE.com>](#)

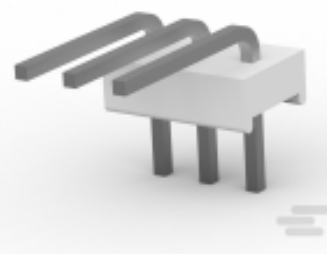
EU RoHS Directive 2011/65/EU	Compliant
EU ELV Directive 2000/53/EC	Compliant
China RoHS 2 Directive MIIT Order No 32, 2016	No Restricted Materials Above Threshold
EU REACH Regulation (EC) No. 1907/2006	Current ECHA Candidate List: JUNE 2023 (235) Candidate List Declared Against: JUNE 2023 (235) Does not contain REACH SVHC
Halogen Content	Not Low Halogen - contains Br or Cl > 900 ppm.
Solder Process Capability	Not applicable for solder process capability

Product Compliance Disclaimer

This information is provided based on reasonable inquiry of our suppliers and represents our current actual knowledge based on the information they provided. This information is subject to change. The part numbers that TE has identified as EU RoHS compliant have a maximum concentration of 0.1% by weight in homogenous materials for lead, hexavalent chromium, mercury, PBB, PBDE, DBP, BBP, DEHP, DIBP, and 0.01% for cadmium, or qualify for an exemption to these limits as defined in the Annexes of Directive 2011/65/EU (RoHS2). Finished electrical and electronic equipment products will be CE marked as required by Directive 2011/65/EU. Components may not be CE marked. Additionally, the part numbers that TE has identified as EU ELV compliant have a maximum concentration of 0.1% by weight in homogenous materials for lead, hexavalent chromium, and mercury, and 0.01% for cadmium, or qualify for an exemption to these limits as defined in the Annexes of Directive 2000/53/EC (ELV). Regarding the REACH Regulation, the information TE provides on SVHC in articles for this part number is based on the latest European Chemicals Agency (ECHA) 'Guidance on requirements for substances in articles' posted at this URL: <https://echa.europa.eu/guidance-documents/guidance-on-reach>

Compatible Parts

 <p>TE Part # CAT-104MTA-PLSCC Polyester PCB Connector Covers: 2.54 mm, MTA 100</p>	 <p>TE Part # CAT-104MTA-PVUNH PCB Header: Polyester, Vertical, Unshrouded, No Mating Alignment</p>	 <p>TE Part # CAT-104MTA-NTPNR MTA Receptacle: Nylon, Tin Plated, 2.54 mm</p>	 <p>TE Part # 1-640454-8 18P MTA100 HDR ASSY SQ STR POL</p>
--	--	--	--

TE Part # CAT-104MTA-PRUSH
PCB Header: Polyester, Right Angle, Unshrouded



TE Part # CAT-104MTA-NTPMR
Nylon Tin Plated Receptacle: 2.54 mm, with Mating Alignment, MTA 100



TE Part # CAT-104CST-RCPHS
Receptacle Housing: 2.54mm, 1 Row, CST-100 II




TE Part # 1-640455-8
18P MTA100 HDR ASSY SQ R/A POL CST-100 II



TE Part # 641994-1
MTA100 KEYING PLUG W/CARRIER

Also in the Series | MTA 100



Insertion & Extraction Tools(2)




PCB Connector Covers(69)




PCB Connector Keying(1)




PCB Headers & Receptacles(440)



Standard Rectangular Connectors(495)



Wire-to-Board Connector Assemblies & Housings(1)



Wire-to-Board Connector Contacts(8)

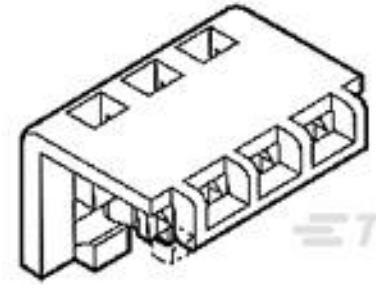
Customers Also Bought



TE Part #3-647001-4
04P MTA100 PSTD CONN ASSY SN



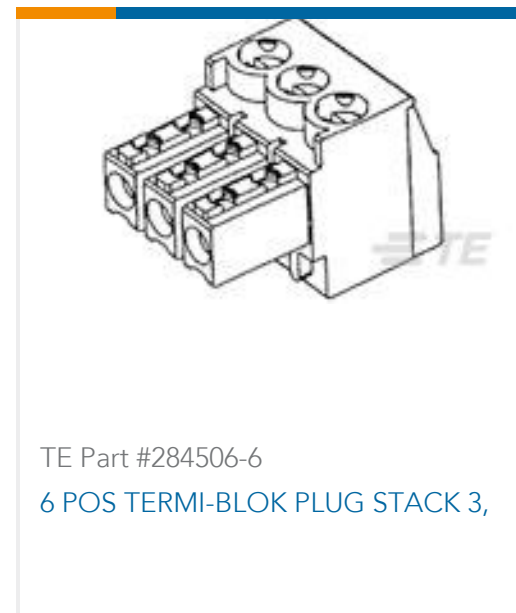
TE Part #747275-2
025 LP HDF STRAIN RELIEF



TE Part #643067-6
06P MTA156 MOLDED COVER



TE Part #1-111196-9
30 RCPT SYSTEM 50, LEAD FREE



Documents

Product Drawings

18P MTA100 COVER

English

CAD Files

Customer View Model

[ENG_CVM_1-640550-8_L.3d_igs.zip](#)

English

Customer View Model

[ENG_CVM_1-640550-8_L.3d_stp.zip](#)

English

Customer View Model

[ENG_CVM_1-640550-8_L.2d_dxf.zip](#)

English

3D PDF

English

3D PDF

3D

Customer View Model

[ENG_CVM_CVM_1-640550-8_G.2d_dxf.zip](#)

English

Customer View Model

[ENG_CVM_CVM_1-640550-8_G.3d_igs.zip](#)

English

Customer View Model

[ENG_CVM_CVM_1-640550-8_G.3d_stp.zip](#)

English



By downloading the CAD file I accept and agree to the [Terms and Conditions](#) of use.

Product Specifications

Application Specification

English

Product Environmental Compliance

Product Compliance

English

Product Compliance

English