

1-55323-0 ✓ ACTIVE

## AMP POWER TAP

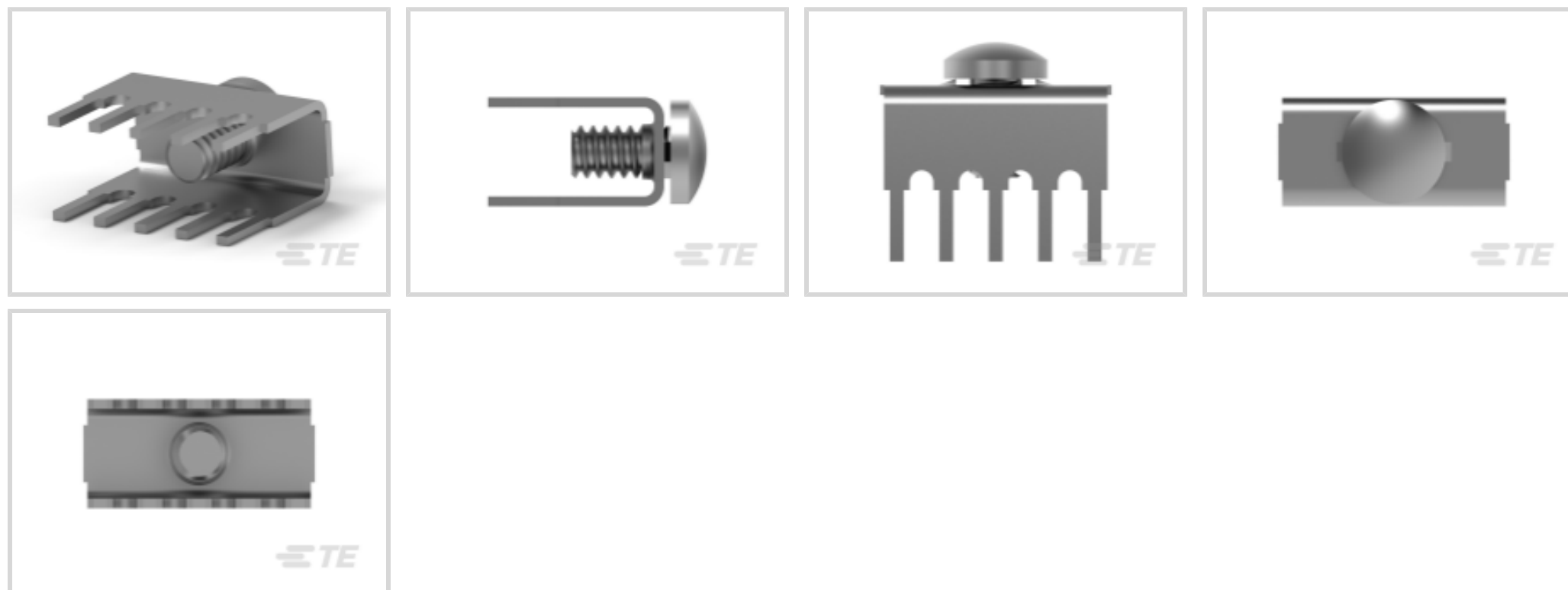
TE Internal #: 1-55323-0

Power Terminals, Power Tap, Terminates To Printed Circuit Board,  
10 Position, 3.18 mm [.125 in] Centerline, Vertical, Stamped &  
Formed, Tin-Lead

[View on TE.com >](#)



Terminals & Splices > Power Terminals



Power Terminal Type: **Power Tap**

Product Terminates To: **Printed Circuit Board**

Number of Positions: **10**

Contact Current Rating (Max): **25 A**

Centerline (Pitch): **3.18 mm [.125 in]**

### Features

#### Product Type Features

Footprint	6.35 x 3.18 mm [.25 x .125 in]
Power Terminal Type	Power Tap

#### Configuration Features

Number of Positions	10
PCB Mount Orientation	Vertical

#### Body Features

Terminal Profile	Standard
------------------	----------

#### Contact Features

PCB Contact Termination Area Plating Material Finish	Bright
Contact Mating Area Plating Material Finish	Bright
Contact Current Rating (Max)	25 A
Contact Fabrication	Stamped & Formed
Contact Mating Area Plating Material	Tin-Lead
Contact Mating Area Plating Material Thickness	3.81 $\mu$ m [150 $\mu$ in]



PCB Contact Termination Area Plating Material	Tin-Lead
PCB Contact Termination Area Plating Material Thickness	3.81 – 8.89 $\mu\text{m}$ [150 – 350 $\mu\text{in}$ ]
Contact Base Material	Copper Alloy

### Termination Features

Termination Method to Printed Circuit Board	Through Hole - Press-Fit
Termination Method to Wire & Cable	Tap Screw
Product Terminates To	Printed Circuit Board

### Mechanical Attachment

Thread Size	6-32
-------------	------

### Housing Features

Centerline (Pitch)	3.18 mm[.125 in]
--------------------	------------------

### Dimensions

PCB Thickness (Recommended)	1.57 – 3.18 mm[.062 – .125 in]
Product Length	8.63 mm[.34 in]

### Usage Conditions

Insulation Option	Uninsulated
Operating Temperature Range	-55 – 85 $^{\circ}\text{C}$ [-67 – 185 $^{\circ}\text{F}$ ]

### Packaging Features

Packaging Method	Carton
------------------	--------

## Product Compliance

[For compliance documentation, visit the product page on TE.com>](#)

EU RoHS Directive 2011/65/EU	Not Compliant
EU ELV Directive 2000/53/EC	Compliant with Exemptions
China RoHS 2 Directive MIIT Order No 32, 2016	Restricted Materials Above Threshold
EU REACH Regulation (EC) No. 1907/2006	Current ECHA Candidate List: JUNE 2023 (235) Candidate List Declared Against: JUNE 2023 (235) SVHC > Threshold: Pb (13% in Component Part) <b>Article Safe Usage Statements:</b> Do not eat, drink or smoke when using this product. Wash thoroughly after handling. Recycle if possible and dispose of the article by following all applicable governmental regulations relevant to your geographic location.
Halogen Content	Low Halogen - Br, Cl, F, I < 900 ppm per homogenous material. Also BFR/CFR/PVC

Free

Solder Process Capability

Wave solder capable to 265°C

Product Compliance Disclaimer

This information is provided based on reasonable inquiry of our suppliers and represents our current actual knowledge based on the information they provided. This information is subject to change. The part numbers that TE has identified as EU RoHS compliant have a maximum concentration of 0.1% by weight in homogenous materials for lead, hexavalent chromium, mercury, PBB, PBDE, DBP, BBP, DEHP, DIBP, and 0.01% for cadmium, or qualify for an exemption to these limits as defined in the Annexes of Directive 2011/65/EU (RoHS2). Finished electrical and electronic equipment products will be CE marked as required by Directive 2011/65/EU. Components may not be CE marked. Additionally, the part numbers that TE has identified as EU ELV compliant have a maximum concentration of 0.1% by weight in homogenous materials for lead, hexavalent chromium, and mercury, and 0.01% for cadmium, or qualify for an exemption to these limits as defined in the Annexes of Directive 2000/53/EC (ELV). Regarding the REACH Regulation, the information TE provides on SVHC in articles for this part number is based on the latest European Chemicals Agency (ECHA) 'Guidance on requirements for substances in articles' posted at this URL: <https://echa.europa.eu/guidance-documents/guidance-on-reach>

### Customers Also Bought



TE Part #487406-2  
FFC RCPT CONT SP 30AU RL



TE Part #2102737-1  
BP, Right End, MULTIGIG RT 2R



TE Part #1410140-1  
MULTIGIG RT T2 .8" BP FULL CNT



TE Part #1-770972-1  
12P MINI UMNL R/A HDR ASSY LF



TE Part #2000676-3  
Keyed Guide Pin, Machined, Vita 46



TE Part #1218124-5  
50 POS,ASSY,PLUG,LOW PROF,109



TE Part #2000676-4  
Keyed Guide Pin, Machined, Vita 46

TE Part #1214-202-1578  
R SNAP

TE Part #6304-206-1502  
INS PIN ASSY



TE Part #8-1437514-0  
M8134-HC-5P2=HOLTITE CONTACT 3

### Documents

**Product Drawings**  
10 POWER TAP ASSY .125



English

---

**CAD Files**

Customer View Model

[ENG\\_CVM\\_CVM\\_1-55323-0\\_AA.2d\\_dxf.zip](#)

English

**3D PDF**

3D

Customer View Model

[ENG\\_CVM\\_CVM\\_1-55323-0\\_AA.3d\\_igs.zip](#)

English

Customer View Model

[ENG\\_CVM\\_CVM\\_1-55323-0\\_AA.3d\\_stp.zip](#)

English

By downloading the CAD file I accept and agree to the [Terms and Conditions](#) of use.

---

**Datasheets & Catalog Pages**

[POWER\\_CONNECTORS\\_CATALOG\\_SEC02\\_CABLE\\_MOUNTED](#)

English

[PRINTED CIRCUIT BOARD TERMINALS AND DISCONNECTS](#)

English

---

**Product Specifications**

[Application Specification](#)

English

---

**Product Environmental Compliance**

[Product Compliance](#)

English

[Product Compliance](#)

English

---

**Instruction Sheets**

[Instruction Sheet \(U.S.\)](#)

English