



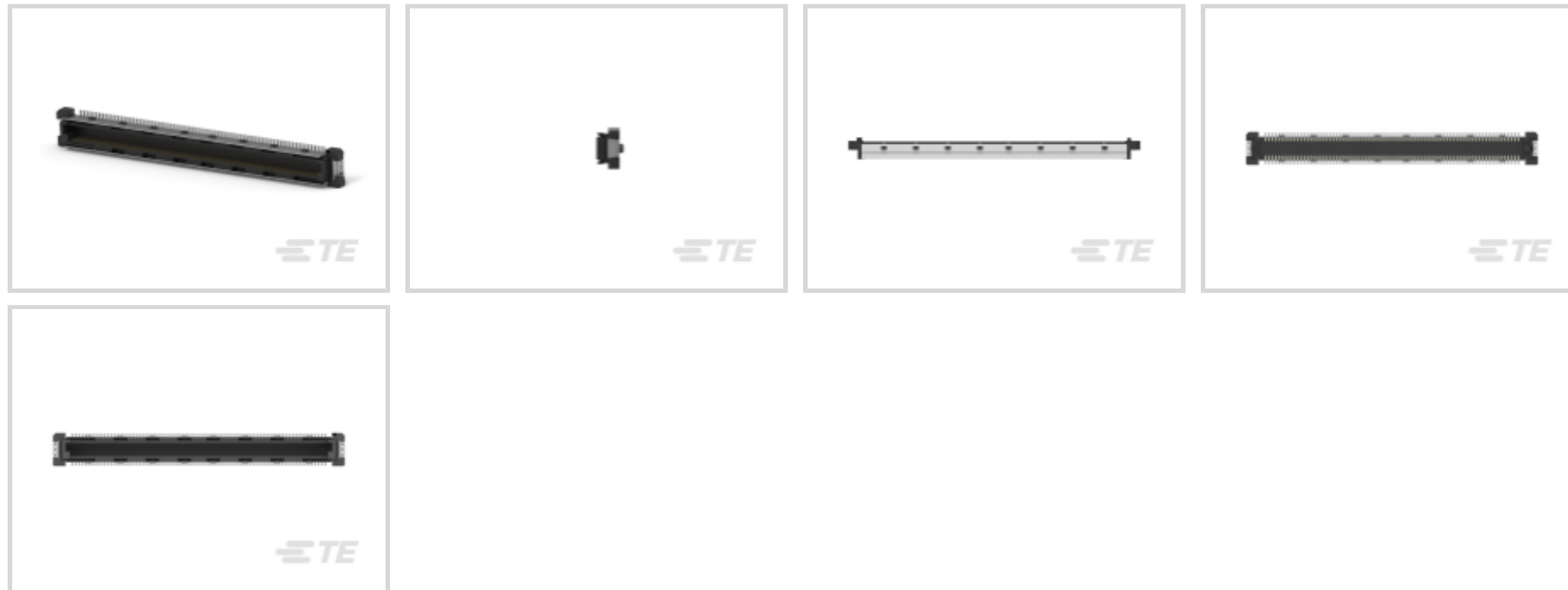
Free Height

TE Internal #: 1-5316559-1

PCB Mount Header, Vertical, Board-to-Board, 160 Position, .6 mm [.024 in] Centerline, Gold, Surface Mount, Signal, Black, Free Height

[View on TE.com >](#)

Connectors > PCB Connectors > PCB Headers & Receptacles



PCB Connector Assembly Type: **PCB Mount Header**

PCB Mount Orientation: **Vertical**

Connector System: **Board-to-Board**

Number of Positions: **160**

Centerline (Pitch): **.6 mm [.024 in]**

Features

Product Type Features

| | |
|-----------------------------------|------------------------------------|
| Ground Feature Type | Grounding Contact, Grounding Plate |
| PCB Connector Assembly Type | PCB Mount Header |
| Connector System | Board-to-Board |
| Connector & Contact Terminates To | Printed Circuit Board |

Configuration Features

| | |
|------------------------------|----------|
| Stackable | Yes |
| PCB Mount Orientation | Vertical |
| Number of Positions | 160 |
| Board-to-Board Configuration | Parallel |

Electrical Characteristics

| | |
|---------------------------------------|---------|
| Dielectric Withstanding Voltage (Max) | 200 VAC |
| Insulation Resistance | 2 MΩ |
| Operating Voltage | 50 VAC |

Body Features

| | |
|--|--|
| | |
|--|--|



| | |
|-----------------------|-------|
| Primary Product Color | Black |
|-----------------------|-------|

Contact Features

| | |
|---|----------------------------|
| Contact Mating Area Length | 1 mm, 1.3 mm |
| PCB Contact Termination Area Plating Material Thickness | 1 μ m[39.37 μ in] |
| Contact Layout | Inline |
| Mating Tab Width | .3 mm[.012 in] |
| Mating Tab Thickness | .2 mm[.008 in] |
| PCB Contact Termination Area Plating Material | Tin |
| Contact Base Material | Copper Alloy |
| Contact Mating Area Plating Material | Gold |
| Contact Mating Area Plating Material Thickness | .2 μ m[7.874 μ in] |
| Contact Type | Pin |
| Contact Current Rating (Max) | .5 A |

Termination Features

| | |
|---|----------------|
| Rectangular Termination Post & Tail Thickness | .2 mm[.008 in] |
| Rectangular Termination Post & Tail Width | .25 mm[.01 in] |
| Termination Method to Printed Circuit Board | Surface Mount |

Mechanical Attachment

| | |
|--------------------------|----------------|
| PCB Mount Alignment Type | Locating Posts |
| PCB Mount Retention Type | Solder Peg |
| Mating Alignment | With |
| Mating Alignment Type | Polarization |
| PCB Mount Retention | With |
| PCB Mount Alignment | With |
| Connector Mounting Type | Board Mount |

Housing Features

| | |
|--------------------|--------------------------------|
| Centerline (Pitch) | .6 mm[.024 in] |
| Housing Material | High Temperature Thermoplastic |

Dimensions

| | |
|------------------|----------------------|
| Connector Height | 4 mm[.157 in] |
| Stack Height | 4 mm, 12 mm[.472 in] |
| | .2 in |



Usage Conditions

| | |
|-----------------------------|---------------------------|
| Operating Temperature Range | -40 – 85 °C[-40 – 185 °F] |
|-----------------------------|---------------------------|

Operation/Application

| | |
|---------------------|--------|
| Circuit Application | Signal |
|---------------------|--------|

Industry Standards

| | |
|------------------------|----------|
| UL Flammability Rating | UL 94V-0 |
|------------------------|----------|

Packaging Features

| | |
|--------------------|------|
| Packaging Quantity | 30 |
| Packaging Type | Tray |

Product Compliance

[For compliance documentation, visit the product page on TE.com>](#)

| | |
|---|---|
| EU RoHS Directive 2011/65/EU | Compliant |
| EU ELV Directive 2000/53/EC | Compliant |
| China RoHS 2 Directive MIIT Order No 32, 2016 | No Restricted Materials Above Threshold |
| EU REACH Regulation (EC) No. 1907/2006 | Current ECHA Candidate List: JUNE 2023 (235) Candidate List Declared Against: JUNE 2023 (235) Does not contain REACH SVHC |
| Halogen Content | Low Halogen - Br, Cl, F, I < 900 ppm per homogenous material. Also BFR/CFR/PVC Free |
| Solder Process Capability | Reflow solder capable to 245°C |

Product Compliance Disclaimer

This information is provided based on reasonable inquiry of our suppliers and represents our current actual knowledge based on the information they provided. This information is subject to change. The part numbers that TE has identified as EU RoHS compliant have a maximum concentration of 0.1% by weight in homogenous materials for lead, hexavalent chromium, mercury, PBB, PBDE, DBP, BBP, DEHP, DIBP, and 0.01% for cadmium, or qualify for an exemption to these limits as defined in the Annexes of Directive 2011/65/EU (RoHS2). Finished electrical and electronic equipment products will be CE marked as required by Directive 2011/65/EU. Components may not be CE marked. Additionally, the part numbers that TE has identified as EU ELV compliant have a maximum concentration of 0.1% by weight in homogenous materials for lead, hexavalent chromium, and mercury, and 0.01% for cadmium, or qualify for an exemption to these limits as defined in the Annexes of Directive 2000/53/EC (ELV). Regarding the REACH Regulation, the information TE provides on SVHC in articles for this part number is based on the latest European Chemicals Agency (ECHA) 'Guidance on requirements for substances in articles' posted at this URL: <https://echa.europa.eu/guidance-documents/guidance-on-reach>

Compatible Parts




TE Part # 1-5316318-1
.6FHR12H,160,S,GIG,08/Sn,HT,SEYes



TE Part # 1-5316560-1
.6FHR04H,160,S,GIG,08/Sn,HT,SEYes



TE Part # 1-5353190-1
.6FHR04H,160,S,GIG,08/Sn,TR,NSNo



TE Part # 1-5316136-1
.6FHR04H,160,S,STD,08/SP,ST,NSYes



TE Part # 1-5316564-1
.6FHR12H,160,S,GIG,08/Sn,ST,NSYes



TE Part # 1-5353189-1
.6FHR04H,160,S,STD,08/SP,TR,NSNo



TE Part # 6-5316136-1
.6FHR04H,160,S,STD,08/SP,ST,SENo



TE Part # 6-5316563-1
.6FHR08H,160,S,GIG,08/Sn,ST,SENo



TE Part # 6-5353189-1
.6FHR04H,160,S,STD,08/SP,TR,SENo

Also in the Series | **Free Height**



PCB Headers & Receptacles(759)

Customers Also Bought



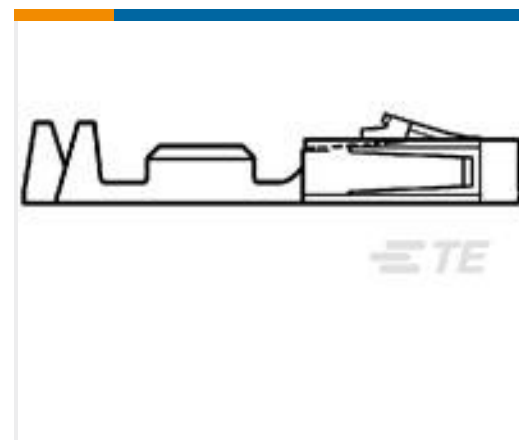
TE Part #5406552-1
INV MJ,1X4,PNL GRD, LED (G/Y)



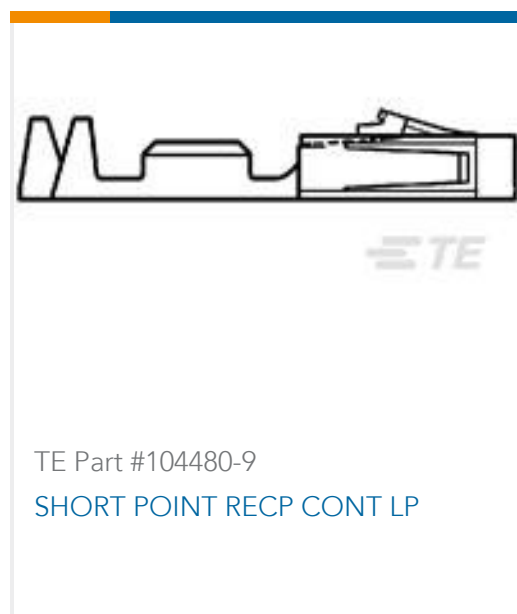
TE Part #1-5316318-1
.6FHR12H,160,S,GIG,08/Sn,HT,SEYes



TE Part #5-5223955-2
TE UPM Ver Rec 3P HC Power Connector



TE Part #1-104481-3
SHORT POINT RECP CONT LP



Documents

Product Drawings

[.6FHP04H,160,S,GIG,08/Sn,HT,SEYes](#)

Japanese

CAD Files

3D PDF

English

Customer View Model

[ENG_CVM_1-5316559-1_O.2d_dxf.zip](#)

English

Customer View Model

[ENG_CVM_1-5316559-1_O.3d_igs.zip](#)

English

Customer View Model

[ENG_CVM_1-5316559-1_O.3d_stp.zip](#)

English

By downloading the CAD file I accept and agree to the [Terms and Conditions](#) of use.

Datasheets & Catalog Pages

[Fine Pitch Stacking Connectors - 0.6mm Free Height \(FH\) and GIGA Connectors](#)

English

Product Specifications

[Application Specification](#)

English