



AMP BNC

TE Internal #: 1-5227079-6

BNC RF Interface, Plug, 50 Ω, RG 174 / RG 188, Bayonet, 4 GHz Operating Frequency, Cable-to-Cable, 1 Position, Sealable, Wire & Cable, AMP BNC

[View on TE.com >](#)

Connectors > RF Connectors > Coax Connectors



RF Interface: **BNC**

RF Connector Style: **Plug**

RF Connector Mated Outer Diameter (Approximate): **14.53 mm [.572 in]**

Impedance: **50 Ω**

Compatible With RF Cable Type: **RG 174, RG 188**

Features

Product Type Features

Connector Shape	Circular
Connector Seal & Plug Type	Gasket
RF Interface	BNC
RF Connector Style	Plug
Compatible With RF Cable Type	RG 174, RG 188
Connector System	Cable-to-Cable
Sealable	Yes
Connector & Contact Terminates To	Wire & Cable

Configuration Features

Number of Positions	1
Number of Coaxial Contacts	1

Electrical Characteristics

Impedance	50 Ω
-----------	------

Body Features



Cable Connector Orientation	Straight
Body Material	Brass
Body Plating Material	Nickel

Contact Features

RF Connector Center Contact Underplating Material	Nickel
	762 μ m
Crimp Type	Dual
RF Connector Center Contact Plating Material	Gold
RF Connector Center Contact Material	Brass

Termination Features

Termination Method to Wire & Cable	Crimp
------------------------------------	-------

Mechanical Attachment

RF Connector Coupling Mechanism	Bayonet
Connector Mounting Type	Cable Mount (Free-Hanging)
RF Contact Captivation Method	Mechanical
Detent	With

Dimensions

RF Connector Mated Outer Diameter (Approximate)	14.53 mm[.572 in]
---	-------------------

Usage Conditions

Insulation Option	Uninsulated
Operating Temperature Range	-55 – 85 $^{\circ}$ C[-67 – 185 $^{\circ}$ F]

Operation/Application

Operating Frequency	4 GHz
---------------------	-------

Packaging Features

Packaging Method	Carton
------------------	--------

Other

Coupling Nut Base Material	Brass
Grade	Commercial
Dielectric Material	Polyethylene

Product Compliance

[For compliance documentation, visit the product page on TE.com>](#)



EU RoHS Directive 2011/65/EU	Compliant with Exemptions
EU ELV Directive 2000/53/EC	Compliant with Exemptions
China RoHS 2 Directive MIIT Order No 32, 2016	Restricted Materials Above Threshold
EU REACH Regulation (EC) No. 1907/2006	Current ECHA Candidate List: JUNE 2023 (235) Candidate List Declared Against: JUNE 2023 (235) SVHC > Threshold: Pb (3.7% in Component Part) Article Safe Usage Statements: Do not eat, drink or smoke when using this product. Wash thoroughly after handling. Recycle if possible and dispose of the article by following all applicable governmental regulations relevant to your geographic location.
Halogen Content	BFR/CFR/PVC Free, but Br/Cl >900 ppm in other sources.
Solder Process Capability	Not applicable for solder process capability

Product Compliance Disclaimer

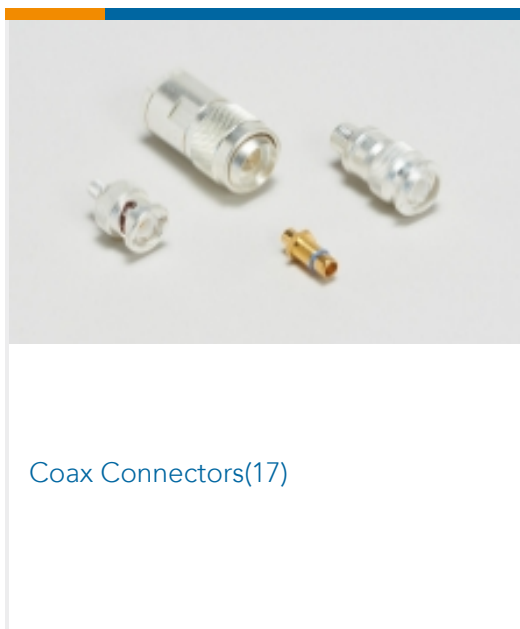
This information is provided based on reasonable inquiry of our suppliers and represents our current actual knowledge based on the information they provided. This information is subject to change. The part numbers that TE has identified as EU RoHS compliant have a maximum concentration of 0.1% by weight in homogenous materials for lead, hexavalent chromium, mercury, PBB, PBDE, DBP, BBP, DEHP, DIBP, and 0.01% for cadmium, or qualify for an exemption to these limits as defined in the Annexes of Directive 2011/65/EU (RoHS2). Finished electrical and electronic equipment products will be CE marked as required by Directive 2011/65/EU. Components may not be CE marked. Additionally, the part numbers that TE has identified as EU ELV compliant have a maximum concentration of 0.1% by weight in homogenous materials for lead, hexavalent chromium, and mercury, and 0.01% for cadmium, or qualify for an exemption to these limits as defined in the Annexes of Directive 2000/53/EC (ELV). Regarding the REACH Regulation, the information TE provides on SVHC in articles for this part number is based on the latest European Chemicals Agency (ECHA) 'Guidance on requirements for substances in articles' posted at this URL: <https://echa.europa.eu/guidance-documents/guidance-on-reach>

Compatible Parts

 <p>TE Part # CAT-076-BNCJKISG50 BNC RF Connector: Jack Assembly, Isolated Ground Protection, 50 Ohm</p>	 <p>TE Part # CAT-076-BNCVTBAY BNC Vertical Jack RF Connector, 50 Ohm, Bayonet Coupling Mechanism</p>	 <p>TE Part # CAT-076-BNCRABAY BNC RF Connector: Male (Jack), Right Angle</p>	 <p>TE Part # CAT-076-BNCJKRA75C BNC RF Connector: Jack, Right-Angle, 75 Ohm</p>
---	--	--	---



Also in the Series | AMP BNC



Customers Also Bought



TE Part #5102321-3
A/L UNIV HDR 16P VERT LG LAT



TE Part #6-104655-1
100 50/50 HDR DRST SFMNT TIN



TE Part #4-640427-2
12P MTA156 CONN ASSY 20AWG YEL



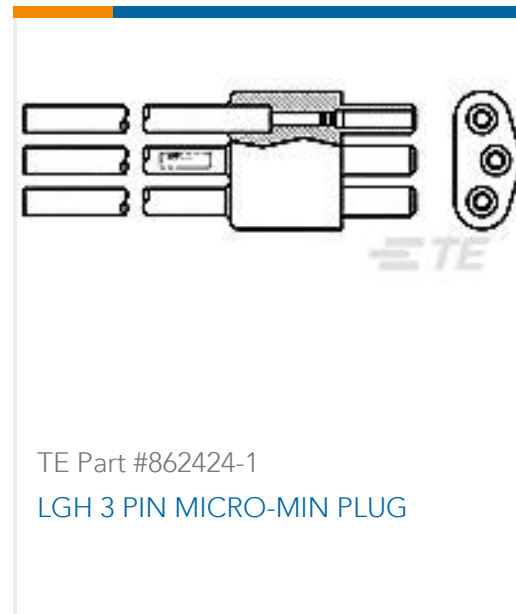
TE Part #3-644460-5
05P MTA156 CONN ASSY 18AWG
ORA



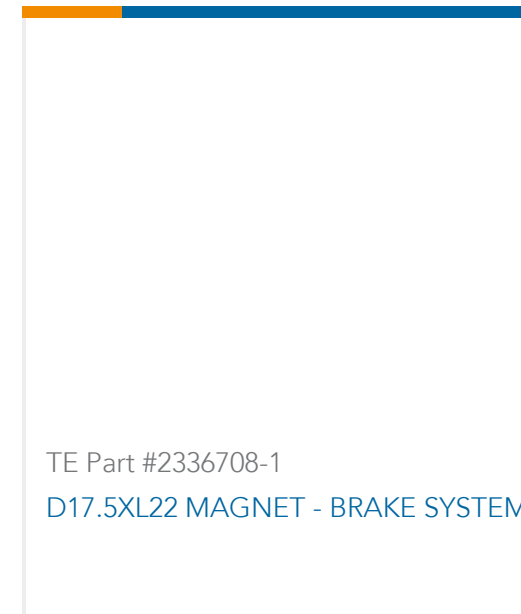
TE Part #1625893-4
5W SM M/OX 5% 22R



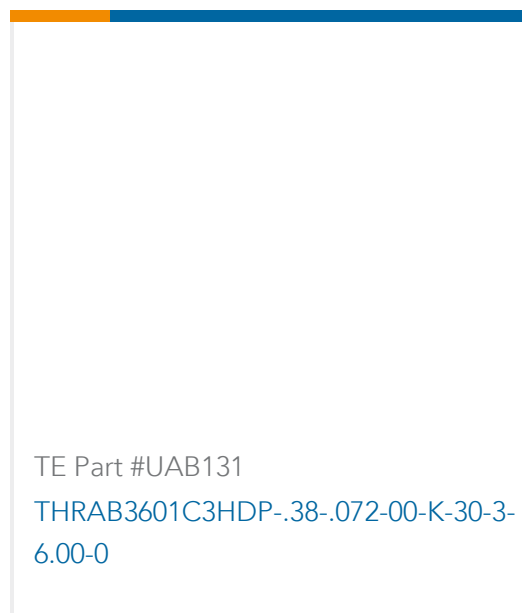
TE Part #2-320568-2
TERM, RT, PIDG IR, 12, #8



TE Part #862424-1
LGH 3 PIN MICRO-MIN PLUG



TE Part #2336708-1
D17.5XL22 MAGNET - BRAKE SYSTEM



TE Part #UAB131
THRAB3601C3HDP-.38-.072-00-K-30-3-
6.00-0



TE Part #US381-000005-015PA
PRESS XDCR US381-000005-015PA

Documents

CAD Files

3D PDF

3D

Customer View Model

[ENG_CVM_CVM_1-5227079-6_D.2d_dxf.zip](#)

English

Customer View Model

[ENG_CVM_CVM_1-5227079-6_D.3d_igs.zip](#)

English

Customer View Model

[ENG_CVM_CVM_1-5227079-6_D.3d_stp.zip](#)

English

By downloading the CAD file I accept and agree to the [Terms and Conditions](#) of use.

Datasheets & Catalog Pages

BNC Connectors

English

Product Specifications



Product Specification

English

Plug, Coaxial, Commercial BNC

English

Product Environmental Compliance

[MD_1-5227079-6_0804201406_dmtec](#)

English

[MD_1-5227079-6_0804201406_dmtec](#)

English