

1-520935-1 ✓ ACTIVE

Positive Lock | Mark II, Positive Lock 250

TE Internal #: 1-520935-1

Crimp Terminal Housings, Receptacle, Receptacle, 2 Position, Straight, UL 94V-0, Natural, Nylon, Contact Mating Retention, Positive Lock 250

[View on TE.com >](#)



Terminals & Splices > Terminal Housings, Insulation Sleeves & Blocks > Crimp Terminal Housings



Terminal Type: **Receptacle**

Connector & Housing Type: **Receptacle**

Number of Positions: **2**

Terminal Orientation: **Straight**

UL Flammability Rating: **UL 94V-0**

## Features

### Product Type Features

|                                   |                             |
|-----------------------------------|-----------------------------|
| Sealable                          | No                          |
| Connector System                  | Wire-to-Board, Wire-to-Wire |
| Connector & Contact Terminates To | Wire & Cable                |
| Connector & Housing Type          | Receptacle                  |

### Configuration Features

|                     |   |
|---------------------|---|
| Number of Positions | 2 |
|---------------------|---|

### Body Features

|                       |         |
|-----------------------|---------|
| Primary Product Color | Natural |
|-----------------------|---------|

### Contact Features

|                          |            |
|--------------------------|------------|
| Terminal Type            | Receptacle |
| Terminal Orientation     | Straight   |
| Contact Mating Retention | With       |

### Mechanical Attachment



|                         |                            |
|-------------------------|----------------------------|
| Mating Alignment Type   | Polarization               |
| Mating Alignment        | With                       |
| Connector Mounting Type | Cable Mount (Free-Hanging) |

### Housing Features

|                    |                   |
|--------------------|-------------------|
| Housing Material   | Nylon             |
| Centerline (Pitch) | 15.11 mm[.595 in] |

### Dimensions

|  |         |
|--|---------|
|  | .475 in |
|--|---------|

### Usage Conditions

|                             |                            |
|-----------------------------|----------------------------|
| Operating Temperature Range | -40 – 130 °C[-40 - 266 °F] |
|-----------------------------|----------------------------|

### Industry Standards

|                        |          |
|------------------------|----------|
| UL Flammability Rating | UL 94V-0 |
|------------------------|----------|

### Packaging Features

|                    |        |
|--------------------|--------|
| Packaging Quantity | 1      |
| Packaging Method   | Carton |

## Product Compliance

[For compliance documentation, visit the product page on TE.com>](#)

|   |   |
|---|---|
| EU RoHS Directive 2011/65/EU                  | Compliant   |
| EU ELV Directive 2000/53/EC                   | Compliant   |
| China RoHS 2 Directive MIIT Order No 32, 2016 | No Restricted Materials Above Threshold   |
| EU REACH Regulation (EC) No. 1907/2006        | Current ECHA Candidate List: JUNE 2023 (235)<br>Candidate List Declared Against: JUNE 2023 (235)<br>Does not contain REACH SVHC |
| Halogen Content                               | Low Halogen - Br, Cl, F, I < 900 ppm per homogenous material. Also BFR/CFR/PVC Free   |
| Solder Process Capability                     | Not applicable for solder process capability  |

#### Product Compliance Disclaimer

This information is provided based on reasonable inquiry of our suppliers and represents our current actual knowledge based on the information they provided. This information is subject to change. The part numbers that TE has identified as EU RoHS compliant have a maximum concentration of 0.1% by weight in homogenous materials for lead, hexavalent chromium, mercury, PBB, PBDE, DBP, BBP, DEHP, DIBP, and 0.01% for cadmium, or qualify for an exemption to these limits as defined in the Annexes of Directive 2011/65/EU (RoHS2). Finished electrical and electronic equipment products will be CE marked as required by Directive 2011/65/EU. Components may not be CE marked. Additionally, the part

numbers that TE has identified as EU ELV compliant have a maximum concentration of 0.1% by weight in homogenous materials for lead, hexavalent chromium, and mercury, and 0.01% for cadmium, or qualify for an exemption to these limits as defined in the Annexes of Directive 2000/53/EC (ELV). Regarding the REACH Regulation, the information TE provides on SVHC in articles for this part number is based on the latest European Chemicals Agency (ECHA) 'Guidance on requirements for substances in articles' posted at this URL: <https://echa.europa.eu/guidance-documents/guidance-on-reach>

## Compatible Parts



TE Part # 63933-2  
250 PL MKIII REC. 22-18AWG TPBR



TE Part # 63854-1  
250 PL MKIII REC. 18-14AWG BR



TE Part # 63854-2  
250 PL MKIII REC. 18-14AWG TPBR



TE Part # 63933-1  
PL .250 TERMINAL REC 22-18 AWG BR



TE Part # 1217092-1  
PL 250 TERMINAL RECEPTACLE 16-12 AWG BR



TE Part # 1217092-2  
PL 250 TERMINAL REC 16-12 AWG TPBR



TE Part # 1-521119-1  
POSILOCK HSG.,.250 SRS,MKIII,2P,V0, NAT

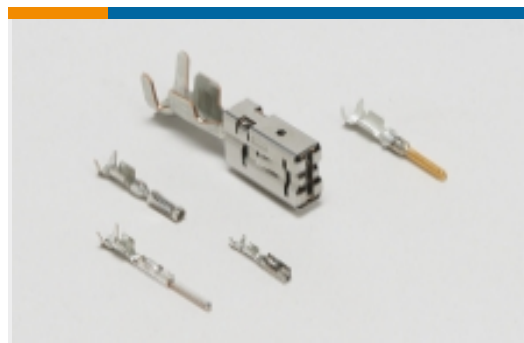


TE Part # 2-1743068-1  
187 HSG. PL MKII REC. 5mm 3P NAT

## Also in the Series | Mark II



Automotive Housings(8)



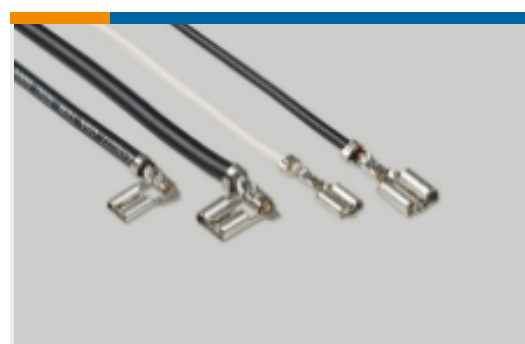
Automotive Terminals(22)



Crimp Terminal Housings(76)



Insertion & Extraction Tools(2)



Quick Disconnects(57)

## Also in the Series | Positive Lock 250



Automotive Terminals(1)



Crimp Terminal Housings(193)



Insertion & Extraction Tools(3)



Insulation Boots & Sleeves(4)

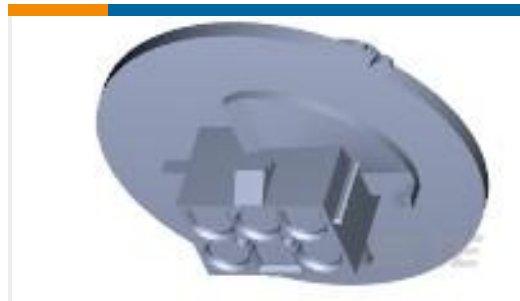


Quick Disconnects(186)

## Customers Also Bought



TE Part #63119-1  
POSITIVE LOCK 250 REC 22-18 AWG TPBR



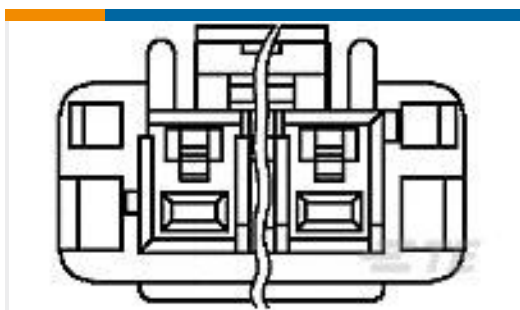
TE Part #794714-1  
06P UMNL CAP HSG NATL,PAN MNT



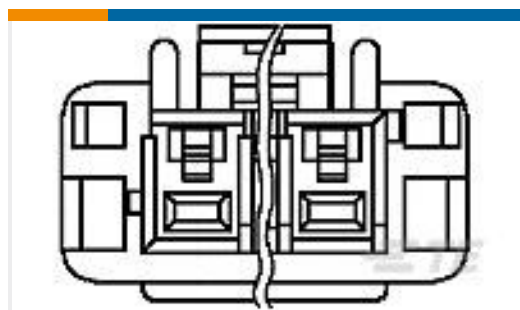
TE Part #61795-1  
RING 18-14 AWG TPST



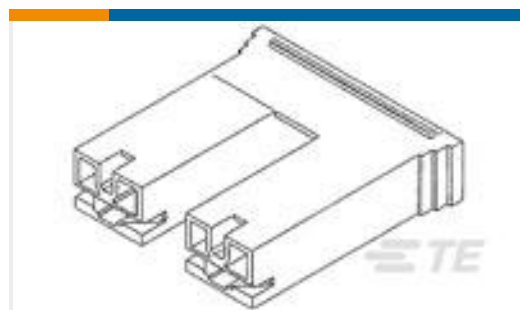
TE Part #4-2304527-3  
AMP DUOPLUG MK2 CONNECTOR 3P SELECTIVE



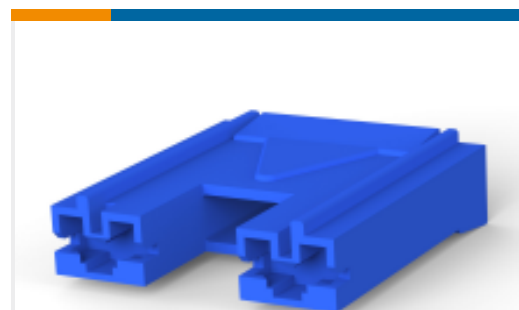
TE Part #1-1376388-2  
5MM POWER KEY 2P PLUG HSG RED



TE Part #1-1376391-2  
5MM POWER KEY 6P PLUG HSG RED



TE Part #520935-1  
PLMKII&FASTON 250 REC HSG 2P NAT



TE Part #2-176498-6  
187 HSG. PL MKII REC. 15mm 2P BLUE



TE Part #2238156-1  
POS LOCK 250 Rec, MKII, 22-18 TPBR



TE Part #60650-1  
250 FASTON FLAG REC 18-14 AWG BR

## Documents



### Product Drawings

[250 HSG. PL MKII REC. 15.11mm 2P NAT](#)

English

---

### CAD Files

[3D PDF](#)

3D

Customer View Model

[ENG\\_CVM\\_CVM\\_1-520935-1\\_AW.2d\\_dxf.zip](#)

English

Customer View Model

[ENG\\_CVM\\_CVM\\_1-520935-1\\_AW.3d\\_igs.zip](#)

English

Customer View Model

[ENG\\_CVM\\_CVM\\_1-520935-1\\_AW.3d\\_stp.zip](#)

English

By downloading the CAD file I accept and agree to the [Terms and Conditions](#) of use.

---

### Datasheets & Catalog Pages

[FASTON Housings](#)

English

[Positive Lock Receptacles](#)

English

---

### Product Environmental Compliance

[MD\\_1-520935-1\\_06072018913\\_dmtec](#)

English

[MD\\_1-520935-1\\_06072018913\\_dmtec](#)

English

---

### Agency Approvals

[UL Report](#)

English

[UL Report](#)

English