

AMP-LATCH

TE Internal #: 1-499252-1

TE Internal Description: 044 STRAIN RELIEF A-L RCPT

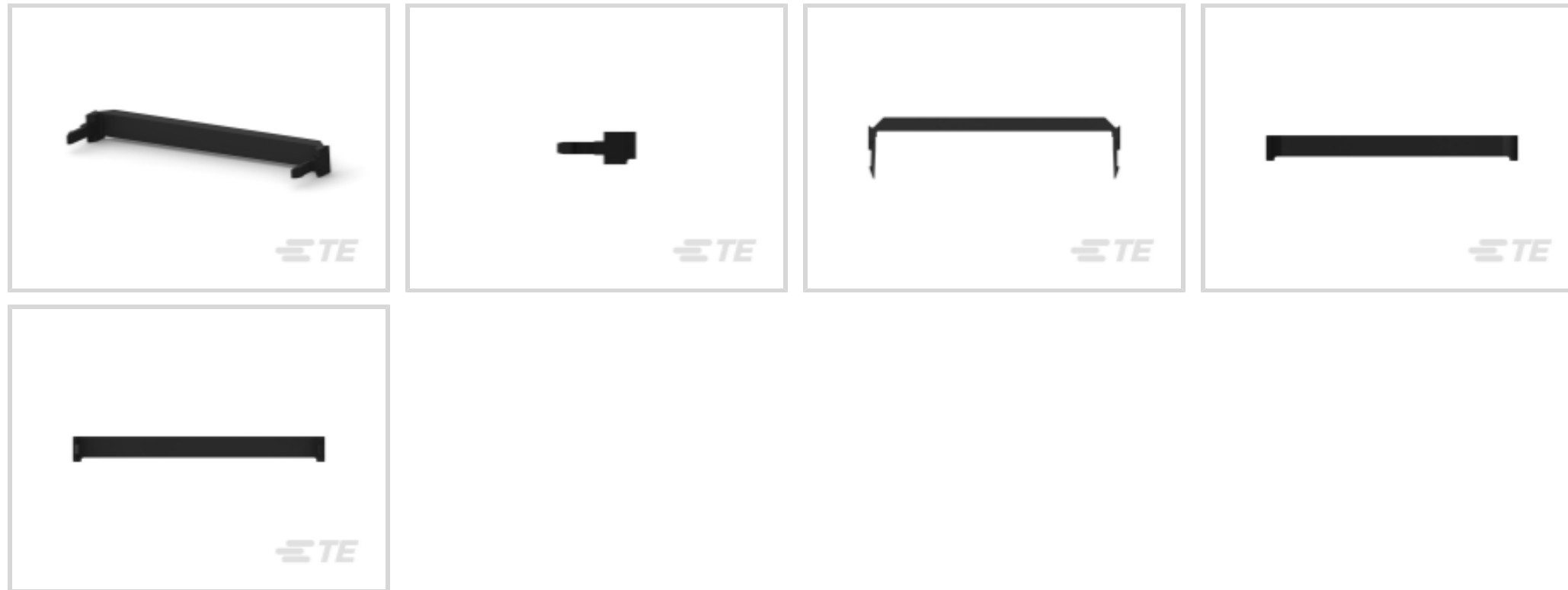
Bus Connector: Strain Relief, ATA

[View on TE.com >](#)



Connectors > PCB Connectors > Wire-to-Board Connectors > FFC, FPC & Ribbon Connectors > Ribbon Connector Accessories >

Bus Connector: Strain Relief, ATA



Flat Flexible Cable Accessory Type: **Strain Relief Cover**

Number of Positions: **44**

[All Bus Connector: Strain Relief, ATA \(13\)](#)

**Features**

**Product Type Features**

Flat Flexible Cable Accessory Type	Strain Relief Cover
------------------------------------	---------------------

**Configuration Features**

Number of Positions	44
---------------------	----

**Body Features**

Primary Product Material	Thermoplastic
Primary Product Color	Black

**Dimensions**

Product Length	60.7 mm[2.39 in]
----------------	------------------

**Industry Standards**

UL Flammability Rating	UL 94V-0
------------------------	----------

**Packaging Features**

Packaging Quantity	1
Packaging Method	Bag

**Other**



Connector Accessory Comment	Novo Receptacles
-----------------------------	------------------

### Product Compliance

[For compliance documentation, visit the product page on TE.com>](#)

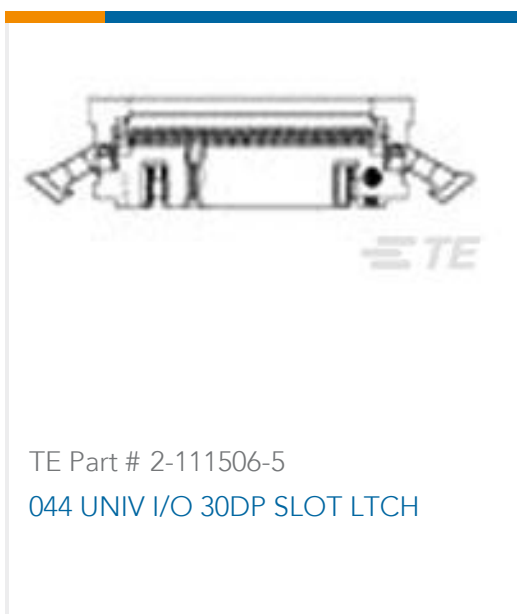
EU RoHS Directive 2011/65/EU	Compliant
EU ELV Directive 2000/53/EC	Compliant
China RoHS 2 Directive MIIT Order No 32, 2016	No Restricted Materials Above Threshold
EU REACH Regulation (EC) No. 1907/2006	Current ECHA Candidate List: JUNE 2023 (235) Candidate List Declared Against: JAN 2018 (181) Does not contain REACH SVHC
Halogen Content	Not Low Halogen - contains Br or Cl > 900 ppm.
Solder Process Capability	Not applicable for solder process capability

#### Product Compliance Disclaimer

This information is provided based on reasonable inquiry of our suppliers and represents our current actual knowledge based on the information they provided. This information is subject to change. The part numbers that TE has identified as EU RoHS compliant have a maximum concentration of 0.1% by weight in homogenous materials for lead, hexavalent chromium, mercury, PBB, PBDE, DBP, BBP, DEHP, DIBP, and 0.01% for cadmium, or qualify for an exemption to these limits as defined in the Annexes of Directive 2011/65/EU (RoHS2). Finished electrical and electronic equipment products will be CE marked as required by Directive 2011/65/EU. Components may not be CE marked. Additionally, the part numbers that TE has identified as EU ELV compliant have a maximum concentration of 0.1% by weight in homogenous materials for lead, hexavalent chromium, and mercury, and 0.01% for cadmium, or qualify for an exemption to these limits as defined in the Annexes of Directive 2000/53/EC (ELV). Regarding the REACH Regulation, the information TE provides on SVHC in articles for this part number is based on the latest European Chemicals Agency (ECHA) 'Guidance on requirements for substances in articles' posted at this URL: <https://echa.europa.eu/guidance-documents/guidance-on-reach>

### Compatible Parts

 <p>TE Part # 1-5102153-3 A/L UNIV HDR 44P VERT</p>	 <p>TE Part # 1-1658622-3 44 NOVO MIL/CTR 30DP, LEAD FREE</p>	 <p>TE Part # 1-1658621-3 044 NOVO CTR&amp;MIL 15DP FT</p>	 <p>TE Part # 3-1761603-4 IDC LOW PRO HDR 44P VERT BLUE</p>
--------------------------------------------------------------------------------------------------------------------------------------------	------------------------------------------------------------------------------------------------------------------------------------------------------	-----------------------------------------------------------------------------------------------------------------------------------------------------	------------------------------------------------------------------------------------------------------------------------------------------------------



## Customers Also Bought



## Documents

### Product Drawings

044 STRAIN RELIEF A-L RCPT

English

### CAD Files

Customer View Model

ENG\_CVM\_CVM\_1-499252-1\_AL.2d\_dxf.zip

English

3D PDF



3D

Customer View Model

[ENG\\_CVM\\_CVM\\_1-499252-1\\_AL.3d\\_igs.zip](#)

English

Customer View Model

[ENG\\_CVM\\_CVM\\_1-499252-1\\_AL.3d\\_stp.zip](#)

English

By downloading the CAD file I accept and agree to the [Terms and Conditions](#) of use.

---

### Datasheets & Catalog Pages

[Ribbon Cable Interconnect Solutions](#)

English

---

### Product Specifications

[Application Specification](#)

English