

1-368587-1 ✓ ACTIVE



Power Double Lock

TE Internal #: 1-368587-1

Rectangular Power Connectors, Housing, Receptacle, Wire-to-Wire / Wire-to-Panel, 4 Position, 3.96 mm [.156 in] Centerline, Power Double Lock

[View on TE.com >](#)

Connectors > Power Connectors > Rectangular Power > Rectangular Power Connectors



Rectangular Power Connector Type: **Housing**

Connector & Housing Type: **Receptacle**

Connector System: **Wire-to-Panel, Wire-to-Wire**

Number of Positions: **4**

Centerline (Pitch): **3.96 mm [.156 in]**

Features

Product Type Features

Compatible With Discrete Wire Type	Stranded
Rectangular Power Connector Type	Housing
Connector & Housing Type	Receptacle
Connector System	Wire-to-Panel, Wire-to-Wire
Sealable	No
Connector & Contact Terminates To	Wire & Cable

Configuration Features

Number of Positions	4
Number of Rows	2

Electrical Characteristics

Operating Voltage	300 VAC
-------------------	---------

Contact Features

Contact Layout	Matrix
Contact Retention Within Housing	Without



Contact Type	Tab
--------------	-----

Termination Features

Termination Method to Wire & Cable	Crimp
------------------------------------	-------

Mechanical Attachment

Connector Mounting Type	Panel Mount
-------------------------	-------------

Housing Features

Centerline (Pitch)	3.96 mm [.156 in]
--------------------	-------------------

Housing Color	Natural
---------------	---------

Housing Material	PA 66
------------------	-------

Dimensions

Row-to-Row Spacing	4.6 mm [.181 in]
--------------------	------------------

Usage Conditions

Operating Temperature Range	-30 – 105 °C [-22 – 221 °F]
-----------------------------	-----------------------------

Operation/Application

Circuit Application	Power & Signal
---------------------	----------------

Industry Standards

Agency/Standard	CNR, USR
-----------------	----------

Approved Standards	CSA/C22.2 No. 182.3-M1987, UL 1977
--------------------	------------------------------------

UL Flammability Rating	UL 94V-0
------------------------	----------

Glow Wire Rating	GWT 750°C (Without Flame)
------------------	---------------------------

Packaging Features

Packaging Quantity	200
--------------------	-----

Packaging Method	Bag
------------------	-----

Product Compliance

[For compliance documentation, visit the product page on TE.com>](#)

EU RoHS Directive 2011/65/EU	Compliant
------------------------------	-----------

EU ELV Directive 2000/53/EC	Compliant
-----------------------------	-----------

China RoHS 2 Directive MIIT Order No 32, 2016	No Restricted Materials Above Threshold
---	---

EU REACH Regulation (EC) No. 1907/2006	Current ECHA Candidate List: JUNE 2023 (235)
--	--



Candidate List Declared Against: JAN 2021 (211)

Does not contain REACH SVHC

Halogen Content

Not Low Halogen - contains Br or Cl > 900 ppm.

Solder Process Capability

Not applicable for solder process capability

Product Compliance Disclaimer

This information is provided based on reasonable inquiry of our suppliers and represents our current actual knowledge based on the information they provided. This information is subject to change. The part numbers that TE has identified as EU RoHS compliant have a maximum concentration of 0.1% by weight in homogenous materials for lead, hexavalent chromium, mercury, PBB, PBDE, DBP, BBP, DEHP, DIBP, and 0.01% for cadmium, or qualify for an exemption to these limits as defined in the Annexes of Directive 2011/65/EU (RoHS2). Finished electrical and electronic equipment products will be CE marked as required by Directive 2011/65/EU. Components may not be CE marked. Additionally, the part numbers that TE has identified as EU ELV compliant have a maximum concentration of 0.1% by weight in homogenous materials for lead, hexavalent chromium, and mercury, and 0.01% for cadmium, or qualify for an exemption to these limits as defined in the Annexes of Directive 2000/53/EC (ELV). Regarding the REACH Regulation, the information TE provides on SVHC in articles for this part number is based on the latest European Chemicals Agency (ECHA) 'Guidance on requirements for substances in articles' posted at this URL: <https://echa.europa.eu/guidance-documents/guidance-on-reach>

Compatible Parts

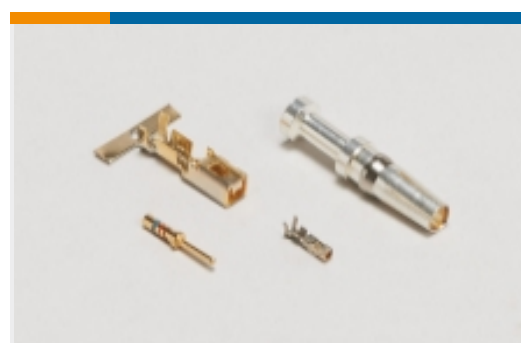


TE Part # 179465-1
AMP POWER DBL LOCK CAP HSG 4P




TE Part # 2301329-1
PDL 4P PLUG 3.96MM,DR (GWT)

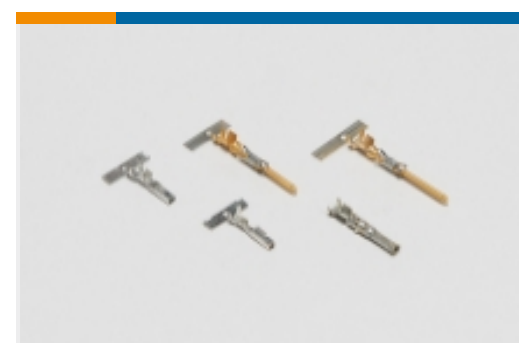
Also in the Series | Power Double Lock




Connector Contacts(1)



Insertion & Extraction Tools(2)



Power Contacts(23)



Rectangular Connector Locking(14)

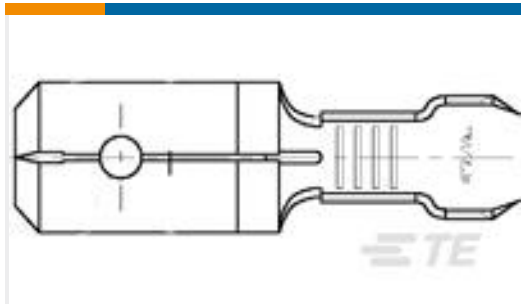


Rectangular Power Connectors(284)

Customers Also Bought



TE Part #1-1969442-1
EP 2.5 TPA Housing, 11 Pos



TE Part #61281-3
250 FASTON TAB 14-12 AWG TPBR



TE Part #1622438-1
LR1 1% 330R



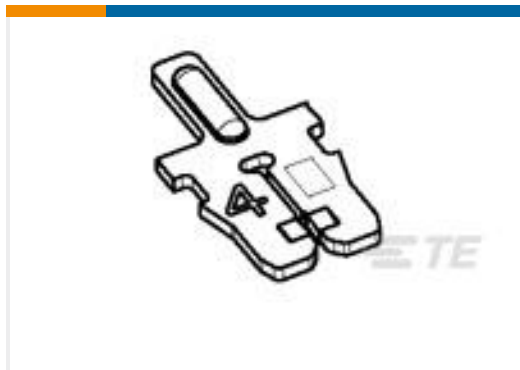
TE Part #6-1601046-1
231-101-000=WIRE2WIRE,STD,SMZ



TE Part #1-2333134-0
DYNAMIC 1100D REC HSG X 40P
BLACK 33%GF



TE Part #626035-2
RING TONGUE 4.0-6.0 MM2 0.81 X
16.25 BR



TE Part #1987501-1
MAG-MATE WITH SOLDER PIN SIZE
0.187



TE Part #1534072-4
MULTIF.ASSY MK2 4POS, AR



TE Part #2331225-1
187 PL EX REC. 20-14AWG PTBR

Documents

Product Drawings

PDL 4P CAP 3.96 D/R F/H(GWT) N

English

CAD Files

3D PDF

3D

Customer View Model

ENG_CVM_CVM_1-368587-1_B1.2d_dxf.zip



English

Customer View Model

[ENG_CVM_CVM_1-368587-1_B1.3d_igs.zip](#)

English

Customer View Model

[ENG_CVM_CVM_1-368587-1_B1.3d_stp.zip](#)

English

By downloading the CAD file I accept and agree to the [Terms and Conditions](#) of use.

Product Specifications

[Application Specification](#)

English

Product Environmental Compliance

[MD_1-368587-1_02022015228_dmtec](#)

English

[MD_1-368587-1_02022015228_dmtec](#)

English