



Connectors > Connector Accessories > Connector Caps & Covers



Connector Cover Type: **Strain Relief Cover**

Primary Product Color: **Black**

Primary Product Material: **Nylon**

Number of Positions: **15**

Operating Temperature (Max): **85 °C [ 185 °F ]**

## Features

### Product Type Features

|                      |                     |
|----------------------|---------------------|
| Connector Cover Type | Strain Relief Cover |
| Sealable             | No                  |

### Configuration Features

|                     |    |
|---------------------|----|
| Number of Positions | 15 |
|---------------------|----|

### Body Features

|                          |       |
|--------------------------|-------|
| Primary Product Color    | Black |
| Primary Product Material | Nylon |

### Mechanical Attachment

|               |      |
|---------------|------|
| Strain Relief | With |
|---------------|------|

### Usage Conditions

|                             |                           |
|-----------------------------|---------------------------|
| Operating Temperature (Max) | 85 °C[185 °F]             |
| Operating Temperature Range | -55 – 85 °C[-67 – 185 °F] |

### Industry Standards

|                 |         |
|-----------------|---------|
| Agency/Standard | CSA, UL |
|-----------------|---------|



### Packaging Features

|                    |     |
|--------------------|-----|
| Packaging Quantity | 100 |
| Packaging Method   | Bag |

### Other

|                             |                         |
|-----------------------------|-------------------------|
| Connector Accessory Comment | One piece - Clam Shell. |
|-----------------------------|-------------------------|

### Product Compliance

[For compliance documentation, visit the product page on TE.com>](#)

|   |   |
|---|---|
| EU RoHS Directive 2011/65/EU                  | Compliant   |
| EU ELV Directive 2000/53/EC                   | Compliant   |
| China RoHS 2 Directive MIIT Order No 32, 2016 | No Restricted Materials Above Threshold   |
| EU REACH Regulation (EC) No. 1907/2006        | Current ECHA Candidate List: JUNE 2023 (235)<br>Candidate List Declared Against: JUNE 2023 (235)<br>Does not contain REACH SVHC |
| Halogen Content                               | Low Halogen - Br, Cl, F, I < 900 ppm per homogenous material. Also BFR/CFR/PVC Free   |
| Solder Process Capability                     | Not applicable for solder process capability  |

#### Product Compliance Disclaimer

This information is provided based on reasonable inquiry of our suppliers and represents our current actual knowledge based on the information they provided. This information is subject to change. The part numbers that TE has identified as EU RoHS compliant have a maximum concentration of 0.1% by weight in homogenous materials for lead, hexavalent chromium, mercury, PBB, PBDE, DBP, BBP, DEHP, DIBP, and 0.01% for cadmium, or qualify for an exemption to these limits as defined in the Annexes of Directive 2011/65/EU (RoHS2). Finished electrical and electronic equipment products will be CE marked as required by Directive 2011/65/EU. Components may not be CE marked. Additionally, the part numbers that TE has identified as EU ELV compliant have a maximum concentration of 0.1% by weight in homogenous materials for lead, hexavalent chromium, and mercury, and 0.01% for cadmium, or qualify for an exemption to these limits as defined in the Annexes of Directive 2000/53/EC (ELV). Regarding the REACH Regulation, the information TE provides on SVHC in articles for this part number is based on the latest European Chemicals Agency (ECHA) 'Guidance on requirements for substances in articles' posted at this URL: <https://echa.europa.eu/guidance-documents/guidance-on-reach>

### Compatible Parts



TE Part # 1-640523-0  
15P MR II PLUG HSG V0

### Customers Also Bought



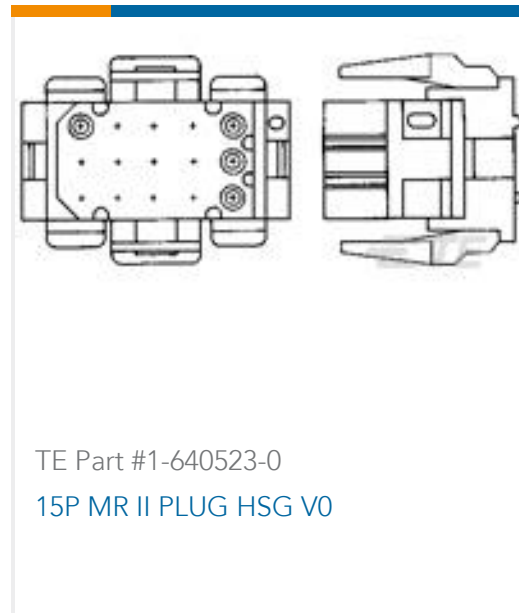
TE Part #205204-9  
CRIMP SNAP PLUG ASSY, SIZE 1



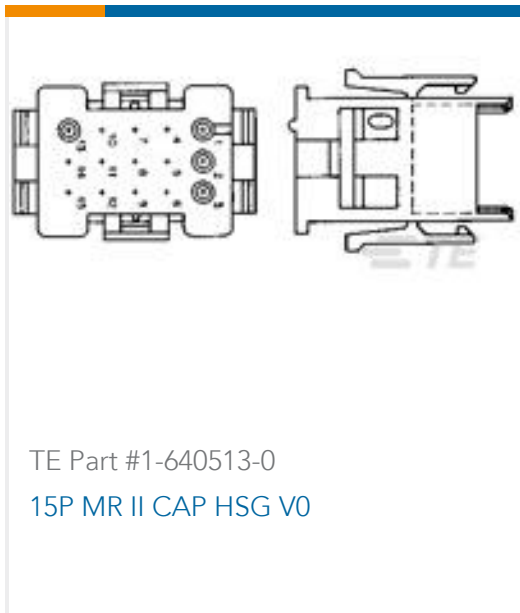
TE Part #748364-1  
15 HD22 CRIMP SNAP PLUG



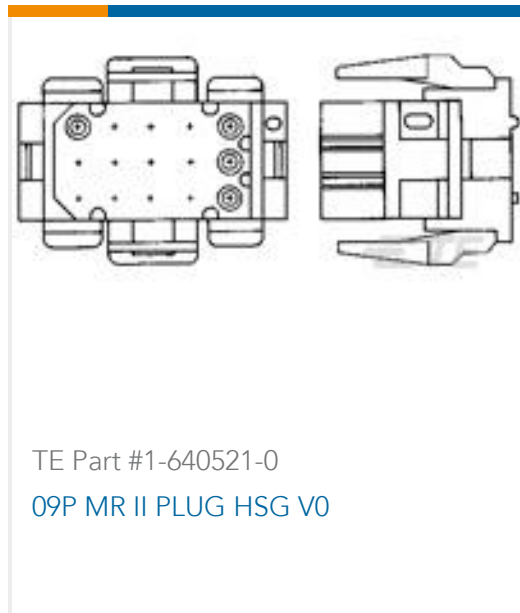
TE Part #208493-1  
CMC RECEPTACLE ASSY, SIZE 22



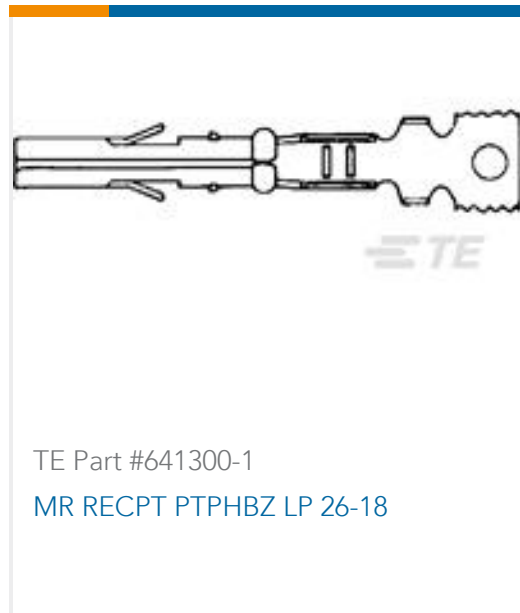
TE Part #1-640523-0  
15P MR II PLUG HSG V0



TE Part #1-640513-0  
15P MR II CAP HSG V0



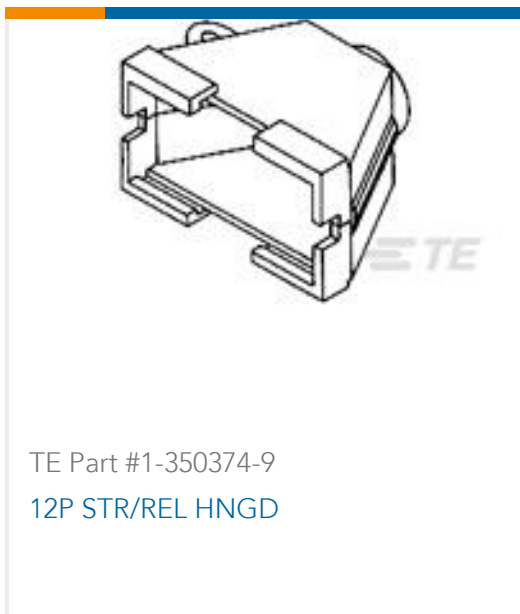
TE Part #1-640521-0  
09P MR II PLUG HSG V0



TE Part #641300-1  
MR RECPT PTPHBZ LP 26-18



TE Part #2-34151-1  
PG R 22-16 COMM 22-18 MIL 5/16



TE Part #1-350374-9  
12P STR/REL HNGD



TE Part #202174-4  
GUIDE SOC. ASSY. 104 CTR. FSTN

### Documents

#### Product Drawings

[15P MR STR/REL HNG](#)

English

#### CAD Files

[Customer View Model](#)

[ENG\\_CVM\\_1-350523-9\\_J.3d\\_igs.zip](#)

English

[Customer View Model](#)



[ENG\\_CVM\\_1-350523-9\\_J.3d\\_stp.zip](#)

English

Customer View Model

[ENG\\_CVM\\_1-350523-9\\_J.2d\\_dxf.zip](#)

English

3D PDF

English

3D PDF

3D

Customer View Model

[ENG\\_CVM\\_CVM\\_1-350523-9\\_Z.2d\\_dxf.zip](#)

English

Customer View Model

[ENG\\_CVM\\_CVM\\_1-350523-9\\_Z.3d\\_igs.zip](#)

English

Customer View Model

[ENG\\_CVM\\_CVM\\_1-350523-9\\_Z.3d\\_stp.zip](#)

English

By downloading the CAD file I accept and agree to the [Terms and Conditions](#) of use.

---

### Datasheets & Catalog Pages

[SOFT\\_SHELL\\_PIN\\_AND\\_SOCKET\\_CONNECTORS\\_CATALOG](#)

English

---

### Product Environmental Compliance

[Product Compliance](#)

English

[Product Compliance](#)

English

---

### Instruction Sheets

[Instruction Sheet \(U.S.\)](#)

English

[AMP\\* MINIATURE RECTANGULAR II \(MRII\) CONNECTORS](#)

English