



Connectors > Connector Accessories > Connector Caps & Covers



Connector Cover Type: **Strain Relief Cover**

Primary Product Color: **Black**

Primary Product Material: **Nylon**

Number of Positions: **9**

Operating Temperature (Max): **85 °C [ 185 °F ]**

## Features

### Product Type Features

Connector Cover Type	Strain Relief Cover
Sealable	No

### Configuration Features

Number of Positions	9
---------------------	---

### Body Features

Primary Product Color	Black
Primary Product Material	Nylon

### Mechanical Attachment

Strain Relief	With
---------------	------

### Usage Conditions

Operating Temperature (Max)	85 °C[185 °F]
Operating Temperature Range	-55 – 85 °C[-67 – 185 °F]

### Industry Standards

Agency/Standard	CSA, UL
-----------------	---------



### Packaging Features

Packaging Quantity	100
Packaging Method	Bag

### Other

Connector Accessory Comment	One piece - Clam Shell.
-----------------------------	-------------------------

### Product Compliance

[For compliance documentation, visit the product page on TE.com>](#)

EU RoHS Directive 2011/65/EU	Compliant
EU ELV Directive 2000/53/EC	Compliant
China RoHS 2 Directive MIIT Order No 32, 2016	No Restricted Materials Above Threshold
EU REACH Regulation (EC) No. 1907/2006	Current ECHA Candidate List: JUNE 2023 (235) Candidate List Declared Against: JUNE 2023 (235) Does not contain REACH SVHC
Halogen Content	Low Halogen - Br, Cl, F, I < 900 ppm per homogenous material. Also BFR/CFR/PVC Free
Solder Process Capability	Not applicable for solder process capability

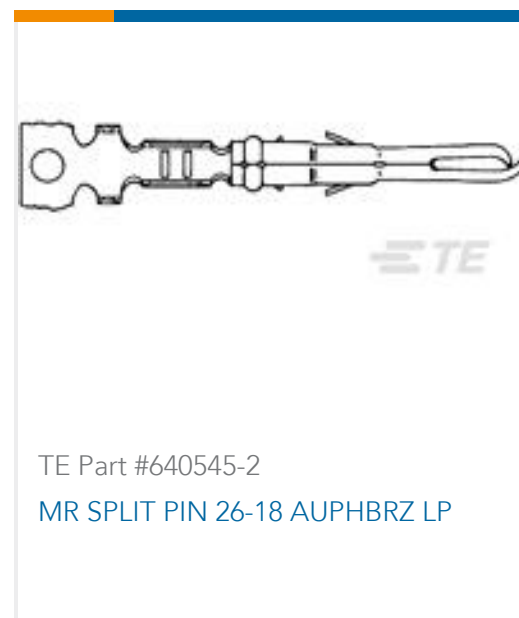
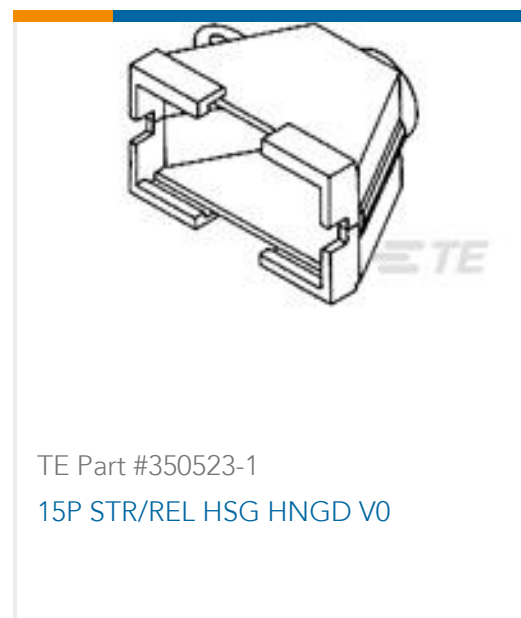
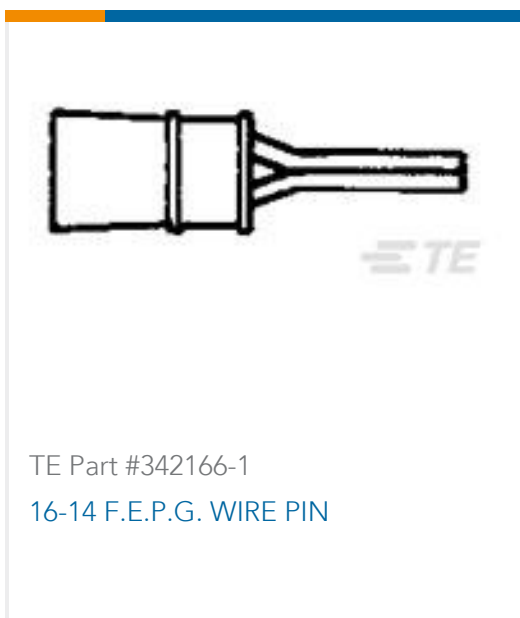
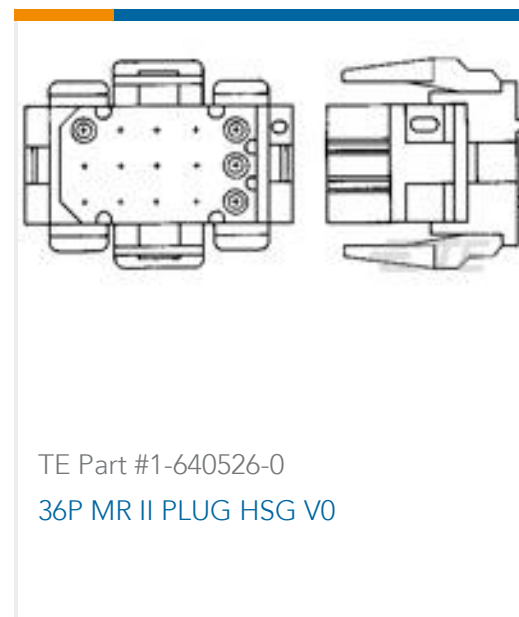
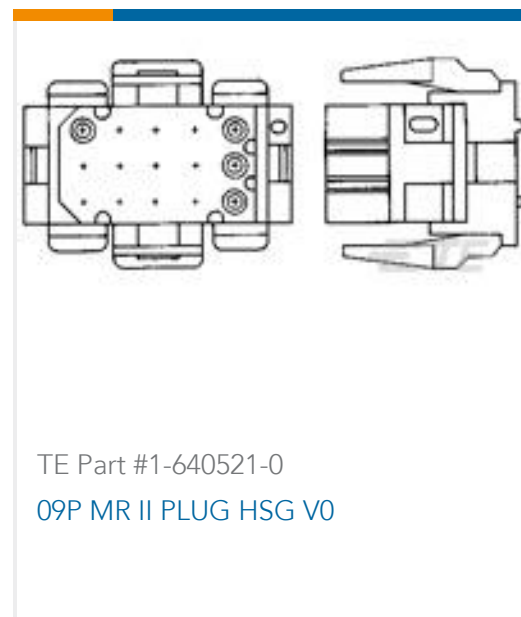
#### Product Compliance Disclaimer

This information is provided based on reasonable inquiry of our suppliers and represents our current actual knowledge based on the information they provided. This information is subject to change. The part numbers that TE has identified as EU RoHS compliant have a maximum concentration of 0.1% by weight in homogenous materials for lead, hexavalent chromium, mercury, PBB, PBDE, DBP, BBP, DEHP, DIBP, and 0.01% for cadmium, or qualify for an exemption to these limits as defined in the Annexes of Directive 2011/65/EU (RoHS2). Finished electrical and electronic equipment products will be CE marked as required by Directive 2011/65/EU. Components may not be CE marked. Additionally, the part numbers that TE has identified as EU ELV compliant have a maximum concentration of 0.1% by weight in homogenous materials for lead, hexavalent chromium, and mercury, and 0.01% for cadmium, or qualify for an exemption to these limits as defined in the Annexes of Directive 2000/53/EC (ELV). Regarding the REACH Regulation, the information TE provides on SVHC in articles for this part number is based on the latest European Chemicals Agency (ECHA) 'Guidance on requirements for substances in articles' posted at this URL: <https://echa.europa.eu/guidance-documents/guidance-on-reach>

### Compatible Parts



### Customers Also Bought



### Documents

#### Product Drawings

09P MR STR/REL HNG BLK

English

#### CAD Files

Customer View Model

[ENG\\_CVM\\_1-350522-9\\_K.3d\\_igs.zip](#)

English

Customer View Model



[ENG\\_CVM\\_1-350522-9\\_K.3d\\_stp.zip](#)

English

**Customer View Model**

[ENG\\_CVM\\_1-350522-9\\_K.2d\\_dxf.zip](#)

English

**3D PDF**

English

**3D PDF**

3D

**Customer View Model**

[ENG\\_CVM\\_CVM\\_1-350522-9\\_AC.2d\\_dxf.zip](#)

English

**Customer View Model**

[ENG\\_CVM\\_CVM\\_1-350522-9\\_AC.3d\\_igs.zip](#)

English

**Customer View Model**

[ENG\\_CVM\\_CVM\\_1-350522-9\\_AC.3d\\_stp.zip](#)

English

By downloading the CAD file I accept and agree to the [Terms and Conditions](#) of use.

---

## Datasheets & Catalog Pages

[SOFT\\_SHELL\\_PIN\\_AND\\_SOCKET\\_CONNECTORS\\_CATALOG](#)

English

---

## Product Environmental Compliance

**Product Compliance**

English

**Product Compliance**

English

---

## Instruction Sheets

**Instruction Sheet (U.S.)**

English

**AMP\* MINIATURE RECTANGULAR II (MRII) CONNECTORS**

English