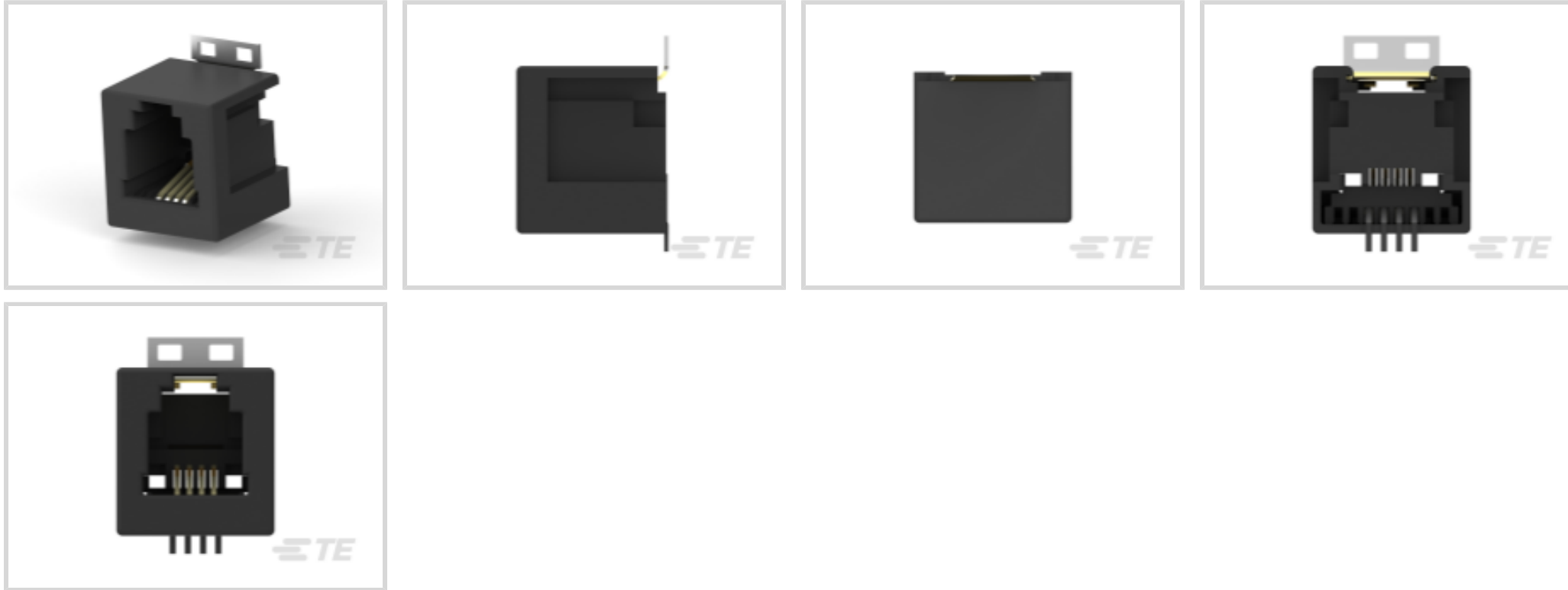




Connectors > Modular Jacks & Plugs > RJ22 Connectors



Connector Profile: **Standard**

Modular Jacks & Plugs Products: **RJ Type Jacks & Plugs**

Connector Contact Density: **Standard**

Modular Connector Style: **Jack**

PCB Mount Orientation: **Vertical**

## Features

### Product Type Features

Modular Jacks & Plugs Products	RJ Type Jacks & Plugs
Modular Connector Style	Jack
Connector System	Cable-to-Board
Connector & Contact Terminates To	Printed Circuit Board

### Configuration Features

Port Matrix Configuration	1 x 1
Port Configuration	Single Port
Connector Contact Density	Standard
PCB Mount Orientation	Vertical
Number of Positions	4
Number of Loaded Positions	4

### Body Features

Modular Jack Latch Orientation	Standard - Latch Down
Connector Profile	Standard



### Contact Features

Contact Underplating Material	Nickel
Contact Base Material	Phosphor Bronze
Contact Mating Area Plating Material	Gold or Gold Flash over Palladium Nickel
Contact Current Rating (Max)	1.5 A
PCB Contact Termination Area Plating Material	Tin

### Termination Features

Termination Method to Printed Circuit Board	Surface Mount
---	---------------

### Mechanical Attachment

Panel Mount Feature	Without
Connector Mounting Type	Board Mount

### Housing Features

Housing Color	Black
Mating Entry Location	Top
Housing Material	PA 9T GF
Centerline (Pitch)	1.02 mm[.04 in]

### Dimensions

PCB Thickness (Recommended)	1.6 mm[.063 in]
Connector Height	12.7 mm[.5 in]

### Usage Conditions

Operating Temperature Range	-40 – 85 °C[-40 – 185 °F]
-----------------------------	---------------------------

### Operation/Application

Shielded	No
Circuit Application	Signal

### Industry Standards

Performance Category	Cat 3
UL Flammability Rating	UL 94V-0

### Packaging Features

Packaging Method	Reel, Tape Mounted on Reel
Packaging Quantity	300

### Product Compliance



[For compliance documentation, visit the product page on TE.com>](#)

EU RoHS Directive 2011/65/EU	Compliant
EU ELV Directive 2000/53/EC	Compliant
China RoHS 2 Directive MIIT Order No 32, 2016	No Restricted Materials Above Threshold
EU REACH Regulation (EC) No. 1907/2006	Current ECHA Candidate List: JUNE 2023 (235) Candidate List Declared Against: JUNE 2023 (235) Does not contain REACH SVHC
Halogen Content	Low Halogen - Br, Cl, F, I < 900 ppm per homogenous material. Also BFR/CFR/PVC Free
Solder Process Capability	Reflow solder capable to 260°C

Product Compliance Disclaimer

This information is provided based on reasonable inquiry of our suppliers and represents our current actual knowledge based on the information they provided. This information is subject to change. The part numbers that TE has identified as EU RoHS compliant have a maximum concentration of 0.1% by weight in homogenous materials for lead, hexavalent chromium, mercury, PBB, PBDE, DBP, BBP, DEHP, DIBP, and 0.01% for cadmium, or qualify for an exemption to these limits as defined in the Annexes of Directive 2011/65/EU (RoHS2). Finished electrical and electronic equipment products will be CE marked as required by Directive 2011/65/EU. Components may not be CE marked. Additionally, the part numbers that TE has identified as EU ELV compliant have a maximum concentration of 0.1% by weight in homogenous materials for lead, hexavalent chromium, and mercury, and 0.01% for cadmium, or qualify for an exemption to these limits as defined in the Annexes of Directive 2000/53/EC (ELV). Regarding the REACH Regulation, the information TE provides on SVHC in articles for this part number is based on the latest European Chemicals Agency (ECHA) 'Guidance on requirements for substances in articles' posted at this URL: <https://echa.europa.eu/guidance-documents/guidance-on-reach>

### Compatible Parts



### Customers Also Bought



TE Part #3-647166-8  
8P MTA100 HDR ASSY,SM,FL,LF



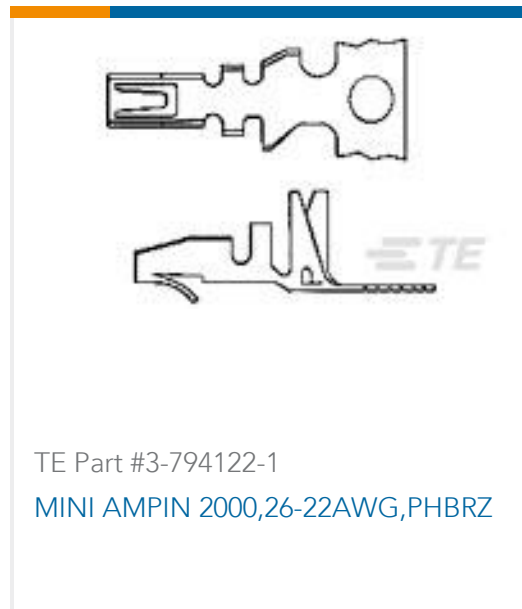
TE Part #2-1623729-4  
BCHE 17 W 680R 5%



TE Part #1393774-8  
V23026A1002B201



TE Part #2007251-1  
SFP+ 1x6 Cage Assembly



TE Part #3-794122-1  
MINI AMPIN 2000,26-22AWG,PHBRZ



TE Part #1-2314812-6  
16P,2MM,B-B,REC,DRVT,2.0,0.1AU,TB,  
W/CAP



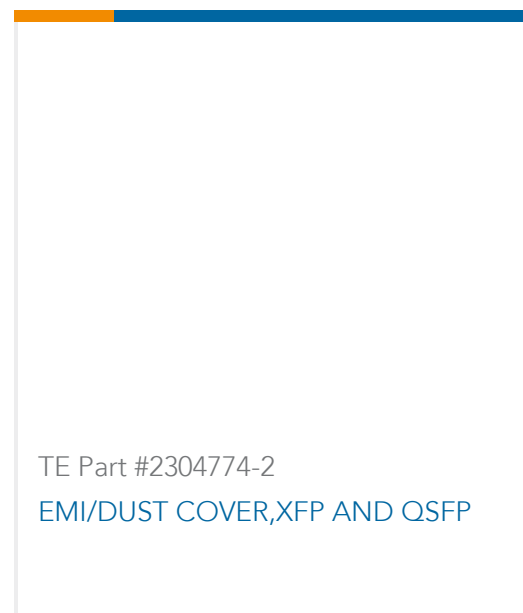
TE Part #1-2176343-9  
CRGCO 1206 330R 1%



TE Part #5223008-2  
FB-5R,ASY,060,SIG,REC,EN,3.55



TE Part #1-338086-3  
6/6 INV.MOD JACK



TE Part #2304774-2  
EMI/DUST COVER,XFP AND QSFP

## Documents

### Product Drawings

[4P.INV.MOD.JACK,PCB](#)

English

### CAD Files

[3D PDF](#)

3D

Customer View Model

[ENG\\_CVM\\_CVM\\_1-338084-3\\_AB.2d\\_dxf.zip](#)

English

Customer View Model

[ENG\\_CVM\\_CVM\\_1-338084-3\\_AB.3d\\_igs.zip](#)

English

Customer View Model

[ENG\\_CVM\\_CVM\\_1-338084-3\\_AB.3d\\_stp.zip](#)

English

By downloading the CAD file I accept and agree to the [Terms and Conditions](#) of use.

### Datasheets & Catalog Pages



## 1-1773464-9\_MODULAR\_JACKS\_SINGLE\_PORT\_PCB\_MOUNT

English

---

### Product Specifications

[AMP surface mount modular jack](#)

English

### Application Specification

English

---

### Agency Approvals

[UL Report](#)

English