

1-331456-0 ✓ ACTIVE



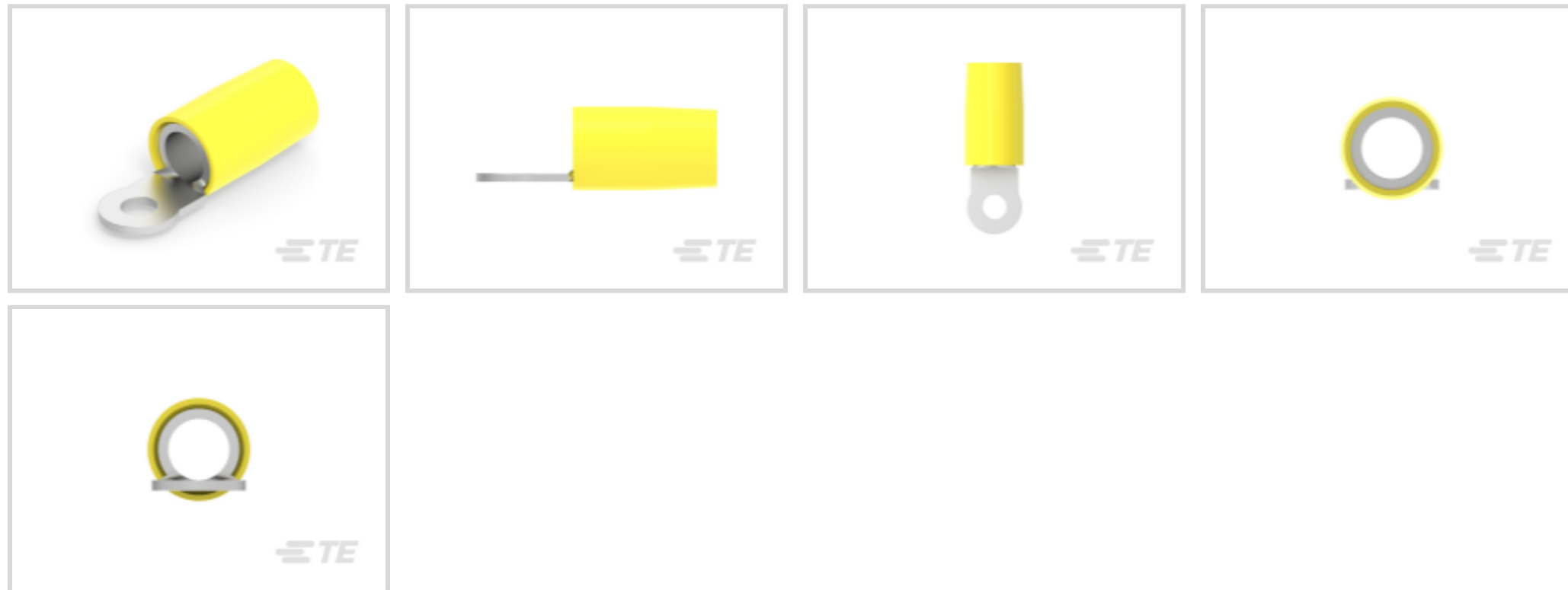
TERMINYL

TE Internal #: 1-331456-0

Closed Ring Tongue Terminal, 4 AWG, #10 Stud Size, 5 mm [.197 in] Stud Diameter, Closed Barrel, Straight, Tin, Partially Insulated

[View on TE.com >](#)

Terminals & Splices > Ring Terminals



Ring Terminal Product Type: Closed Ring Tongue Terminal

Wire Size: 33100 – 52600 CMA

Stud Size: #10

Features

Product Type Features

| | |
|--|-----------------------------|
| Terminal Features | Sheared |
| Ring Terminal Product Type | Closed Ring Tongue Terminal |
| Stud Size | #10 |
| Sealable | No |
| Wire Insulation Support Retention Type | Insulation Support |

Configuration Features

| | |
|-----------------|---|
| Number of Holes | 1 |
|-----------------|---|

Body Features

| | |
|-------------------------|---------|
| Product Weight | 7.233 g |
| Insulation Sleeve Color | Yellow |
| Stripe Color | Yellow |

Contact Features

| | |
|---------------------------|----------|
| Barrel Type | Closed |
| Terminal Orientation | Straight |
| Terminal Plating Material | Tin |

Mechanical Attachment



| | |
|-------------------------|------|
| Wire Insulation Support | With |
|-------------------------|------|

Dimensions

| | |
|--------------------------------------|---------------------|
| Wire Size | 33100 – 52600 CMA |
| Stud Diameter | 5 mm [.197 in] |
| Tongue Thickness | .79 mm [.031 in] |
| Product Length | 34.95 mm [1.376 in] |
| Compatible Insulation Diameter (Max) | 9.7 mm [.382 in] |
| Compatible Insulation Diameter Range | 9.7 mm [.382 in] |

Usage Conditions

| | |
|-----------------------------|---------------------|
| Insulation Option | Partially Insulated |
| Operating Temperature Range | 105 °C [221 °F] |

Operation/Application

| | |
|---------------------------------------|--------|
| Compatible With Wire Base Material | Copper |
| Compatible With Wire Plating Material | Tin |

Industry Standards

| | |
|-------------------------------|----|
| Government Qualified Terminal | No |
|-------------------------------|----|

Packaging Features

| | |
|--------------------|-------------|
| Packaging Quantity | 100 |
| Packaging Method | Loose Piece |

Product Compliance


[For compliance documentation, visit the product page on TE.com>](#)

| | |
|---|---|
| EU RoHS Directive 2011/65/EU | Compliant |
| EU ELV Directive 2000/53/EC | Compliant |
| China RoHS 2 Directive MIIT Order No 32, 2016 | No Restricted Materials Above Threshold |
| EU REACH Regulation (EC) No. 1907/2006 | Current ECHA Candidate List: JUNE 2023 (235) Candidate List Declared Against: JUNE 2023 (235) Does not contain REACH SVHC |
| Halogen Content | Low Halogen - Br, Cl, F, I < 900 ppm per homogenous material. Also BFR/CFR/PVC Free |
| Solder Process Capability | Not applicable for solder process capability |

Product Compliance Disclaimer

This information is provided based on reasonable inquiry of our suppliers and represents our current actual knowledge based on the information they provided. This information is subject to change. The part numbers that TE has identified as EU RoHS compliant have a maximum concentration of 0.1% by weight in homogenous materials for lead, hexavalent chromium, mercury, PBB, PBDE, DBP, BBP, DEHP, DIBP, and 0.01% for cadmium, or qualify for an exemption to these limits as defined in the Annexes of Directive 2011/65/EU (RoHS2). Finished electrical and electronic equipment products will be CE marked as required by Directive 2011/65/EU. Components may not be CE marked. Additionally, the part numbers that TE has identified as EU ELV compliant have a maximum concentration of 0.1% by weight in homogenous materials for lead, hexavalent chromium, and mercury, and 0.01% for cadmium, or qualify for an exemption to these limits as defined in the Annexes of Directive 2000/53/EC (ELV). Regarding the REACH Regulation, the information TE provides on SVHC in articles for this part number is based on the latest European Chemicals Agency (ECHA) 'Guidance on requirements for substances in articles' posted at this URL: <https://echa.europa.eu/guidance-documents/guidance-on-reach>

Compatible Parts



TE Part # 59974-1
HYP8 8-2AWG MANUAL TOOL-No Dies



TE Part # 1490599-1
HYP10 TERMINYL 4AWG DIE SET



TE Part # 47822
HYP8 TERMINYL 4AWG DIE SET



TE Part # 601129-2
HAND TOOL (A.S.I.)


Customers Also Bought



TE Part #T4113501051-000
M12,MALE,RA,D CODE,5P,PG7,GOLD



TE Part #2-1419108-9
RTD14012F



TE Part #321519
SPLICE,CE 22-10



TE Part #320570
SPLICE BUTT PIDG 12-10



TE Part #2-1423162-3
7022BC=RLY,STD,OFF,2P,240VAC,



TE Part #1-1423162-8
7022AK=RLY,STD,OFF,2P,120VAC,1



TE Part #2-1423162-9
7022BK=RLY,STD,OFF,M2P,240VAC,



TE Part #184196-1
3 POS. CAP LP



Documents

Product Drawings

[TERMINAL,T-N R 4 10](#)

English

CAD Files

Customer View Model

[ENG_CVM_1-331456-0_D1.3d_igs.zip](#)

English

Customer View Model

[ENG_CVM_1-331456-0_D1.3d_stp.zip](#)

English

Customer View Model

[ENG_CVM_1-331456-0_D1.2d_dxf.zip](#)

English

[3D PDF](#)

English

[3D PDF](#)

3D

Customer View Model

[ENG_CVM_CVM_1-331456-0_J.2d_dxf.zip](#)

English

Customer View Model

[ENG_CVM_CVM_1-331456-0_J.3d_igs.zip](#)

English

Customer View Model

[ENG_CVM_CVM_1-331456-0_J.3d_stp.zip](#)

English

By downloading the CAD file I accept and agree to the [Terms and Conditions](#) of use.

Product Environmental Compliance

[Product Compliance](#)

English

[Product Compliance](#)

English

1-331456-0

Closed Ring Tongue Terminal, 4 AWG, #10 Stud Size, 5 mm [.197 in] Stud Diameter,
Closed Barrel, Straight, Tin, Partially Insulated

