



Connectors > RF Connectors > RF Connector Accessories > RF Connector Hardware



RF Connector Hardware Type: **Lockwasher**

Features

Product Type Features

RF Connector Hardware Type	Lockwasher
----------------------------	------------

Body Features

Primary Product Material	Phosphor Bronze
Body Plating Material	Nickel

Packaging Features

Packaging Quantity	1000
Packaging Method	Box & Carton

Product Compliance

[For compliance documentation, visit the product page on TE.com>](#)

EU RoHS Directive 2011/65/EU	Compliant
EU ELV Directive 2000/53/EC	Compliant
China RoHS 2 Directive MIIT Order No 32, 2016	No Restricted Materials Above Threshold
EU REACH Regulation (EC) No. 1907/2006	Current ECHA Candidate List: JUNE 2023 (235) Candidate List Declared Against: JUNE 2023 (235) Does not contain REACH SVHC
Halogen Content	Low Halogen - Br, Cl, F, I < 900 ppm per homogenous material. Also BFR/CFR/PVC Free

Solder Process Capability

Not applicable for solder process capability

Product Compliance Disclaimer

This information is provided based on reasonable inquiry of our suppliers and represents our current actual knowledge based on the information they provided. This information is subject to change. The part numbers that TE has identified as EU RoHS compliant have a maximum concentration of 0.1% by weight in homogenous materials for lead, hexavalent chromium, mercury, PBB, PBDE, DBP, BBP, DEHP, DIBP, and 0.01% for cadmium, or qualify for an exemption to these limits as defined in the Annexes of Directive 2011/65/EU (RoHS2). Finished electrical and electronic equipment products will be CE marked as required by Directive 2011/65/EU. Components may not be CE marked. Additionally, the part numbers that TE has identified as EU ELV compliant have a maximum concentration of 0.1% by weight in homogenous materials for lead, hexavalent chromium, and mercury, and 0.01% for cadmium, or qualify for an exemption to these limits as defined in the Annexes of Directive 2000/53/EC (ELV). Regarding the REACH Regulation, the information TE provides on SVHC in articles for this part number is based on the latest European Chemicals Agency (ECHA) 'Guidance on requirements for substances in articles' posted at this URL: <https://echa.europa.eu/guidance-documents/guidance-on-reach>

Compatible Parts



TE Part # 1-329631-2
JAM NUT, PLATED



TE Part # 1-329492-1
LOCK WASHER COAXICON



TE Part # 227223-1
PANEL INSULATING BUSHING



TE Part # 330620
INSUL BUSHING BNC BLKHD PHEN



TE Part # 5414105-1
JACK, ADAPTER, BHD, ISOLATED BNC

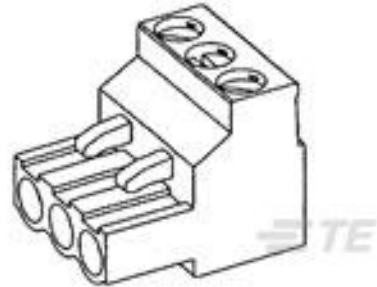
Customers Also Bought



TE Part #3-641238-5
Nylon Gold Plated Receptacle: 2.54 mm, no Mating Alignment



TE Part #1241152-3
3P HV100 REC. CON, SMD, GOLD, BLISTER



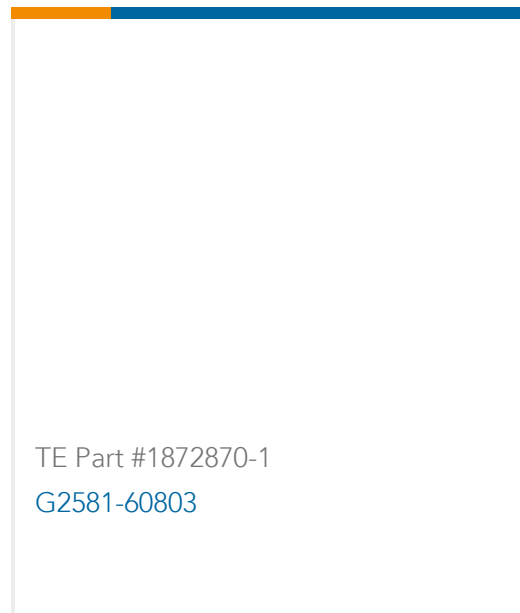
TE Part #796640-2
2 POS 5.0 MM R/A PLUG, TRM BLK



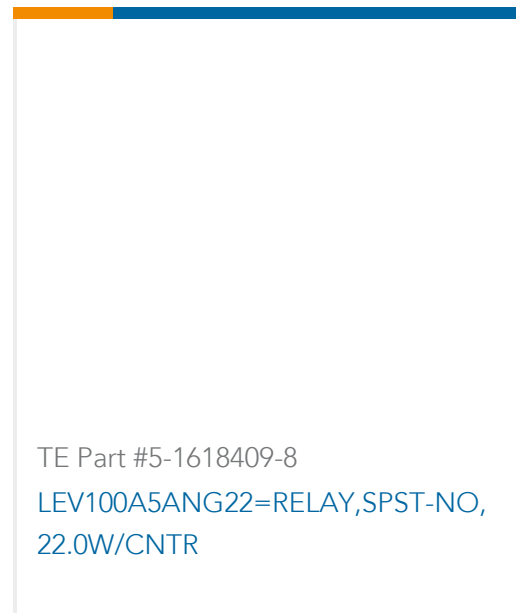
TE Part #9-2176089-9
RP 1J 0.166W 127K 0.1% 25PPM 1K RL



TE Part #4-1617076-4
3SBH5004K1R = RELAY



TE Part #1872870-1
G2581-60803



TE Part #5-1618409-8
LEV100A5ANG22=RELAY,SPST-NO,
22.0W/CNTR

Documents

Product Drawings

[LOCKWASHER, PLATED](#)

English

CAD Files

[3D PDF](#)

3D

Customer View Model

[ENG_CVM_CVM_1-329632-2_AC.2d_dxf.zip](#)

English

Customer View Model

[ENG_CVM_CVM_1-329632-2_AC.3d_igs.zip](#)

English

Customer View Model

[ENG_CVM_CVM_1-329632-2_AC.3d_stp.zip](#)

English

By downloading the CAD file I accept and agree to the [Terms and Conditions](#) of use.

Datasheets & Catalog Pages

[BNC Connectors](#)

English

Product Environmental Compliance

[Product Compliance Document](#)

English

[Product Compliance Document](#)

English