

1-2834015-6 ✓ ACTIVE

Buchanan WireMate

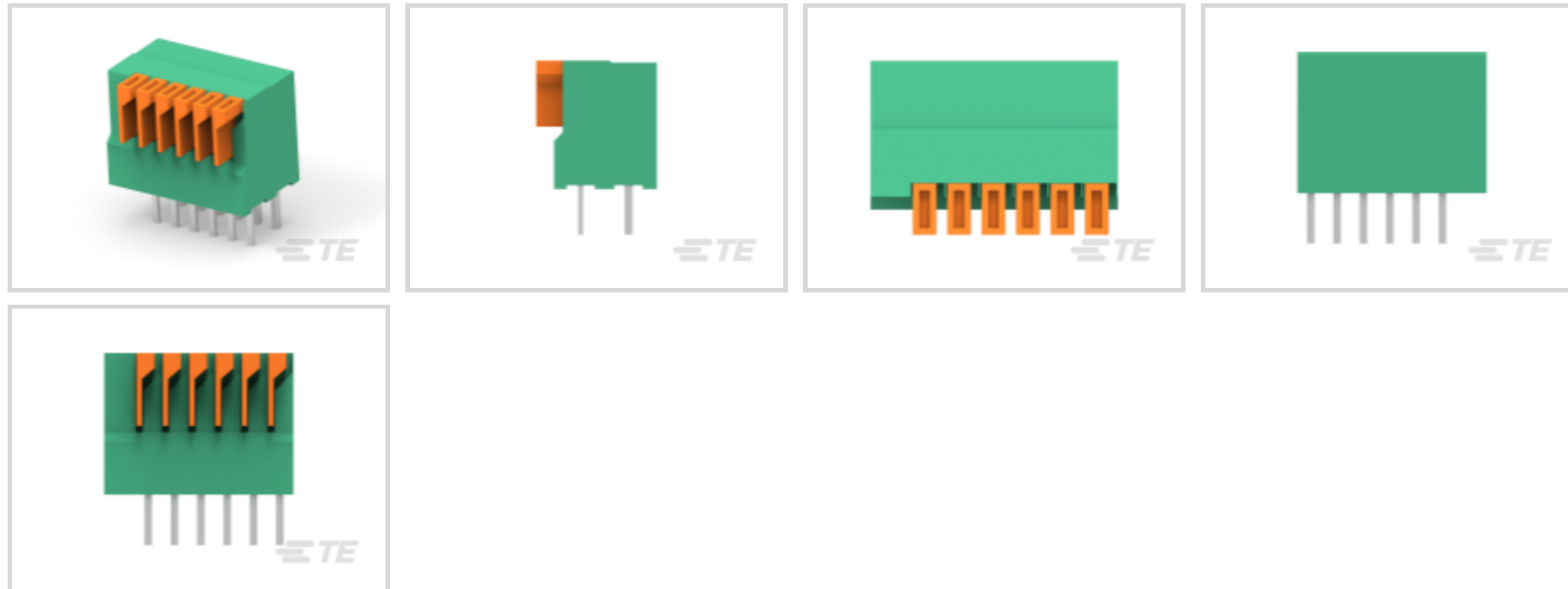
TE Internal #: 1-2834015-6

PCB Terminal Blocks, Receptacle, Wire-to-Board, 6 Position, 1 Row,
180° Wire Entry Angle, 26 – 20 AWG Wire Size, Operating Voltage
300 VAC

[View on TE.com >](#)



Connectors > Terminal Blocks & Strips > PCB Terminal Blocks



Terminal Block Connector Type: **Receptacle**

Connector System: **Wire-to-Board**

Number of Positions: **6**

Number of Rows: **1**

Wire Entry Angle: **180°**

Features

Product Type Features

| | |
|-----------------------------------|-----------------------|
| Terminal Block Connector Type | Receptacle |
| Connector System | Wire-to-Board |
| Connector & Contact Terminates To | Printed Circuit Board |

Configuration Features

| | |
|------------------------|----------------|
| Wire Entry Location | Top |
| Stacking Configuration | Side Stackable |
| Number of Positions | 6 |
| Number of Rows | 1 |
| Wire Entry Angle | 180° |

Electrical Characteristics

| | |
|-------------------|---------|
| Operating Voltage | 300 VAC |
|-------------------|---------|

Body Features

| | |
|-----------------------|----------|
| Primary Product Color | Green |
| Product Orientation | Vertical |



Contact Features

| | |
|--------------------------------------|--------|
| Contact Mating Area Plating Material | Tin |
| Contact Base Material | Copper |
| Contact Current Rating (Max) | 6 A |

Termination Features

| | |
|---|-----------------------|
| Termination Method to Printed Circuit Board | Through Hole - Solder |
| Termination Method to Wire & Cable | Push-in |

Housing Features

| | |
|------------------|-------------------------------------|
| Housing Material | High Temperature Nylon or Polyester |
|------------------|-------------------------------------|

Dimensions

| | |
|-----------|-------------|
| Wire Size | 26 – 20 AWG |
|-----------|-------------|

Usage Conditions

| | |
|-----------------------------|----------------------------|
| Operating Temperature Range | -40 – 105 °C[-40 – 221 °F] |
|-----------------------------|----------------------------|

Operation/Application

| | |
|---------------------|----------------|
| Circuit Application | Power & Signal |
|---------------------|----------------|

Packaging Features

| | |
|------------------|--------------|
| Packaging Method | Box & Carton |
|------------------|--------------|

Product Compliance

[For compliance documentation, visit the product page on TE.com>](#)

| | |
|---|--|
| EU RoHS Directive 2011/65/EU | Compliant |
| EU ELV Directive 2000/53/EC | Compliant |
| China RoHS 2 Directive MIIT Order No 32, 2016 | No Restricted Materials Above Threshold |
| EU REACH Regulation (EC) No. 1907/2006 | Current ECHA Candidate List: JUNE 2023 (235) Candidate List Declared Against: JAN 2023 (233) Does not contain REACH SVHC |
| Halogen Content | Low Halogen - Br, Cl, F, I < 900 ppm per homogenous material. Also BFR/CFR/PVC Free |
| Solder Process Capability | Wave solder capable to 260°C |

Product Compliance Disclaimer



This information is provided based on reasonable inquiry of our suppliers and represents our current actual knowledge based on the information they provided. This information is subject to change. The part numbers that TE has identified as EU RoHS compliant have a maximum concentration of 0.1% by weight in homogenous materials for lead, hexavalent chromium, mercury, PBB, PBDE, DBP, BBP, DEHP, DIBP, and 0.01% for cadmium, or qualify for an exemption to these limits as defined in the Annexes of Directive 2011/65/EU (RoHS2). Finished electrical and electronic equipment products will be CE marked as required by Directive 2011/65/EU. Components may not be CE marked. Additionally, the part numbers that TE has identified as EU ELV compliant have a maximum concentration of 0.1% by weight in homogenous materials for lead, hexavalent chromium, and mercury, and 0.01% for cadmium, or qualify for an exemption to these limits as defined in the Annexes of Directive 2000/53/EC (ELV). Regarding the REACH Regulation, the information TE provides on SVHC in articles for this part number is based on the latest European Chemicals Agency (ECHA) 'Guidance on requirements for substances in articles' posted at this URL: <https://echa.europa.eu/guidance-documents/guidance-on-reach>

Compatible Parts



TE Part # CAT-B8519-P7565
Poke-In Connector, BUCHANAN WireMate



TE Part # CAT-SL36-M6642B
Miniature Headers, SlimSeal



TE Part # 2834334-2
4.0PITCH ITB CONN_2P_W CAP_NATURAL



TE Part # 2834167-3
RELEASABLE SLIM CONTACT



TE Part # 2834385-2
RELEASE POKE-IN CONNECTOR_2P_NATURAL

Customers Also Bought



TE Part # 2-6609115-3
6EGG1-2=F7386D



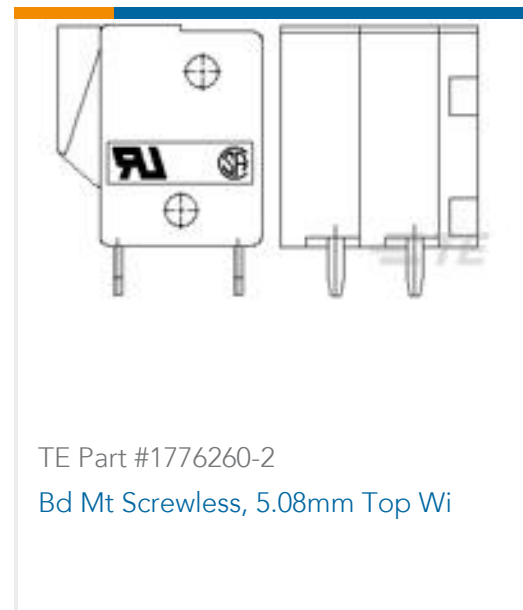
TE Part # 1-1423008-0
T92P7D52-12



TE Part # 3-644456-4
04P MTA100 HDR ASSY (NARROW)



TE Part # 1-2176070-8
3521 51R 1% 2W



Documents

Product Drawings

[6POS 2.54MM TES CONN.](#)

English

CAD Files

[3D PDF](#)

3D

Customer View Model

[ENG_CVM_CVM_1-2834015-6_1.2d_dxf.zip](#)

English

Customer View Model

[ENG_CVM_CVM_1-2834015-6_1.3d_igs.zip](#)

English

Customer View Model

[ENG_CVM_CVM_1-2834015-6_1.3d_stp.zip](#)

English

By downloading the CAD file I accept and agree to the [Terms and Conditions](#) of use.

Datasheets & Catalog Pages

[Modular Screwless Terminal Blocks Flyer](#)

English

Product Specifications

[Application Specification](#)

English

Instruction Sheets

[Instruction Sheet \(non U.S.\)](#)

1-2834015-6

PCB Terminal Blocks, Receptacle, Wire-to-Board, 6 Position, 1 Row, 180° Wire Entry Angle, 26 – 20 AWG Wire Size, Operating Voltage 300 VAC



English