

1-280050-2 ✓ ACTIVE

FASTON | FASTON 250

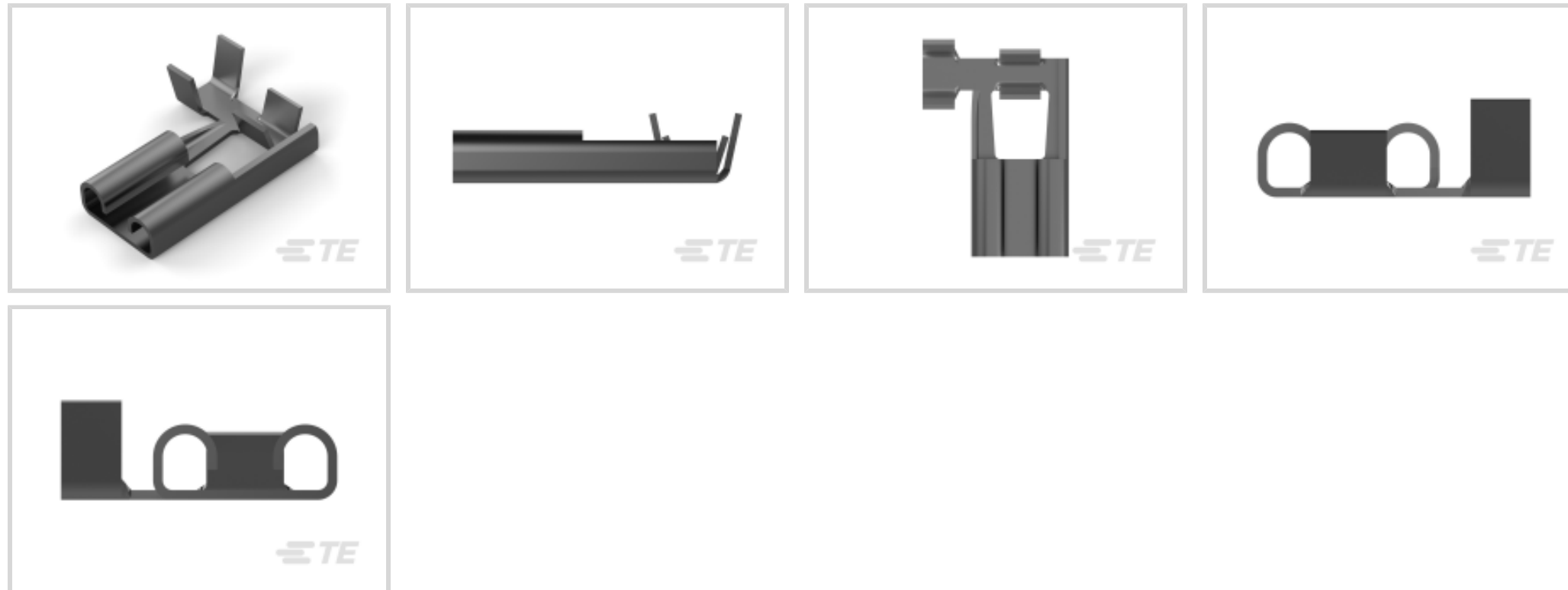
TE Internal #: 1-280050-2

Quick Disconnects, Receptacle, 16 – 20 AWG Wire Size, .5 – 1.5 mm² Wire Size, Mating Tab Width 6.35 mm [.25 in], Flag, Brass, Tin Plating, FASTON 250

[View on TE.com >](#)



Terminals & Splices > Quick Disconnects



Quick Disconnect Terminal Type: **Receptacle**

Wire Size: .5 – 1.5 mm²

Mating Tab Width: 6.35 mm [.25 in]

Mating Tab Thickness: .81 mm [.032 in]

Features

Product Type Features

Insertion Force	Normal
-----------------	--------

Configuration Features

Connection Capacity	Single
---------------------	--------

Compatible With Wire & Cable Type	Discrete Wire
-----------------------------------	---------------

Electrical Characteristics

Voltage Rating	250 V
----------------	-------

Contact Features

Quick Disconnect Terminal Type	Receptacle
--------------------------------	------------

Mating Tab Width	6.35 mm [.25 in]
------------------	------------------

Mating Tab Thickness	.81 mm [.032 in]
----------------------	------------------

Terminal Orientation	Flag
----------------------	------

Contact Base Material	Brass
-----------------------	-------

Terminal Plating Material	Tin
---------------------------	-----

Crimp Type	F-Crimp
------------	---------



Barrel Type	Open
-------------	------

Termination Features

Product Terminates To	Wire & Cable
-----------------------	--------------

Mechanical Attachment

Wire Insulation Support	With
-------------------------	------

Mating Retention Type	Dimple
-----------------------	--------

Dimensions

Terminal Material Thickness	.41 mm[.016 in]
-----------------------------	-----------------

Product Length	16.8 mm[.661 in]
----------------	------------------

Compatible Insulation Diameter Range	2.31 – 3.3 mm[.091 – .13 in]
--------------------------------------	------------------------------

Wire Size	.5 – 1.5 mm ²
-----------	--------------------------

Usage Conditions

Insulation Option	Uninsulated
-------------------	-------------

Operating Temperature Range	-40 – 110 °C[-40 – 230 °F]
-----------------------------	----------------------------

Industry Standards

Agency/Standard	UL
-----------------	----

UL Flammability Rating	UL 94V-2
------------------------	----------

Packaging Features

Packaging Quantity	2500
--------------------	------

Packaging Method	Strip/Reel
------------------	------------

Other

Line	Premier
------	---------

Product Compliance

[For compliance documentation, visit the product page on TE.com>](#)

EU RoHS Directive 2011/65/EU	Compliant
------------------------------	-----------

EU ELV Directive 2000/53/EC	Compliant
-----------------------------	-----------

China RoHS 2 Directive MIIT Order No 32, 2016	No Restricted Materials Above Threshold
---	---

EU REACH Regulation (EC) No. 1907/2006	Current ECHA Candidate List: JUNE 2023 (235) Candidate List Declared Against: JUNE 2023 (235) Does not contain REACH SVHC
--	---



Halogen Content	Low Halogen - Br, Cl, F, I < 900 ppm per homogenous material. Also BFR/CFR/PVC Free
Solder Process Capability	Not applicable for solder process capability


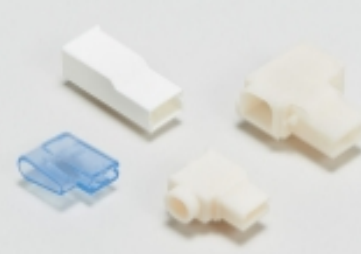


Product Compliance Disclaimer

This information is provided based on reasonable inquiry of our suppliers and represents our current actual knowledge based on the information they provided. This information is subject to change. The part numbers that TE has identified as EU RoHS compliant have a maximum concentration of 0.1% by weight in homogenous materials for lead, hexavalent chromium, mercury, PBB, PBDE, DBP, BBP, DEHP, DIBP, and 0.01% for cadmium, or qualify for an exemption to these limits as defined in the Annexes of Directive 2011/65/EU (RoHS2). Finished electrical and electronic equipment products will be CE marked as required by Directive 2011/65/EU. Components may not be CE marked. Additionally, the part numbers that TE has identified as EU ELV compliant have a maximum concentration of 0.1% by weight in homogenous materials for lead, hexavalent chromium, and mercury, and 0.01% for cadmium, or qualify for an exemption to these limits as defined in the Annexes of Directive 2000/53/EC (ELV). Regarding the REACH Regulation, the information TE provides on SVHC in articles for this part number is based on the latest European Chemicals Agency (ECHA) 'Guidance on requirements for substances in articles' posted at this URL: <https://echa.europa.eu/guidance-documents/guidance-on-reach>

Compatible Parts

 <p>TE Part # 160862-8 FF FAH STECKH 8,0</p>	 <p>TE Part # 154897-2 .375 FLAG FASTON RECPT.</p>	 <p>TE Part # 180388-5 250 FASTON,REC.,20-16 AWG,TPPB</p>	 <p>TE Part # 2-2836223-2 OCEAN_2.0_Applicator-S-100F140F</p>
 <p>TE Part # 2376595-2 250 FASTON PCB TAB TPBR</p>	 <p>TE Part # 2836223-2 OCEAN_2.0_Applicator-S-100F140F</p>	 <p>TE Part # 7-2836223-2 OCEAN_2.0_Applicator-S-100F140F</p>	 <p>TE Part # 7-2836223-7 OCEAN_2.0_SPARE_PART_KIT-100F140F</p>

Also in the Series | FASTON 250

 <p>Compression Connectors(4)</p>	 <p>Crimp Terminal Housings(142)</p>	 <p>Insertion & Extraction Tools(6)</p>	 <p>Magnet Wire Terminals(1)</p>
--	---	--	---



PCB Terminals(135)



Quick Disconnects(445)



Splices(4)

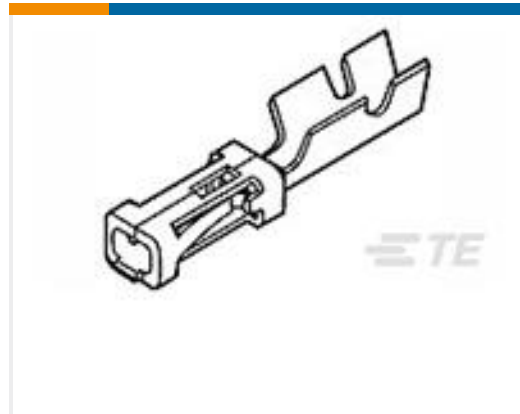
Customers Also Bought



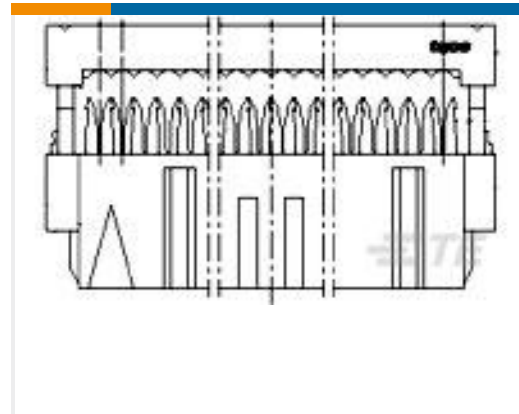
TE Part #770063-1
01P .093 COMM P&S RECPT HSG



TE Part #180464-2
250 FASTON,FLAG,REC.,14-17AWG, LATON



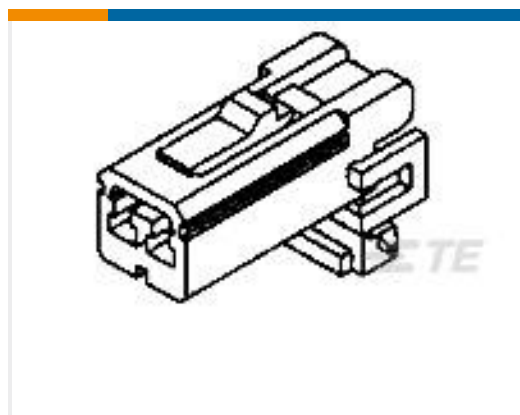
TE Part #2-167301-4
MOD-4 REC.CONT.SCP



TE Part #1-215882-4
14 WAY GREY MK II REC P



TE Part #DT04-4P-CE02
REC, 4P, BLK, E



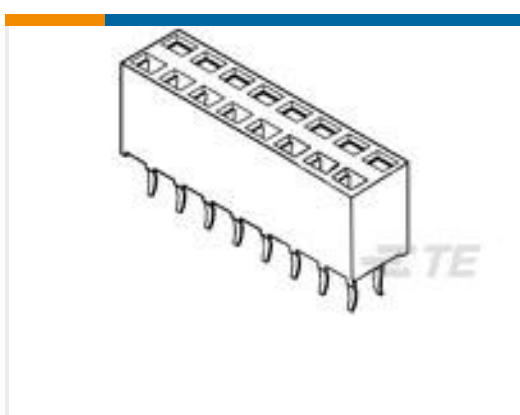
TE Part #174463-2
070 MCL 2P P B



TE Part #927837-1
SPT REC 6.3 Contact SRC Sn



TE Part #2309413-4
DDR4 SODIMM 260P 9.2H STD



TE Part #1-215307-5
2X15P HV100 REC CON. TE, 7.0MM

Documents

Product Drawings

[250 FASTON,FLAG,REC.,16-20 AWG,TPBR](#)

English

CAD Files

[3D PDF](#)

[3D](#)

[Customer View Model](#)

[ENG_CVM_CVM_1-280050-2_BE.2d_dxf.zip](#)



English

Customer View Model

[ENG_CVM_CVM_1-280050-2_BE.3d_igs.zip](#)

English

Customer View Model

[ENG_CVM_CVM_1-280050-2_BE.3d_stp.zip](#)

English

By downloading the CAD file I accept and agree to the [Terms and Conditions](#) of use.

Datasheets & Catalog Pages

[1654742_HOUSEHOLD_APPLIANCES_RAST5](#)

English

Product Specifications

[FASTON & FASTIN-FASTON conn. .250 srs. flag rec. ctc.](#)

[Application Specification](#)

Product Environmental Compliance

[MD_1-280050-2_05052016556_dmtec](#)

English

[MD_1-280050-2_05052016556_dmtec](#)

English

Agency Approvals

[UL Report](#)

English