



DEUTSCH | DEUTSCH DT-XT

TE Internal #: 1-2600023-0

Plug, Wire-to-Wire, 2 Position, .216 in [5.5 mm] Centerline, Sealable, Black, Wire & Cable, Cable Mount (Free-Hanging), DEUTSCH DT-XT

[View on TE.com >](#)

Connectors > Automotive Connectors > Automotive Housings > DT-XT 2-way Plug Connectors



Connector System: **Wire-to-Wire**

Number of Positions: **2**

Connector & Housing Type: **Plug**

Centerline (Pitch): **5.5 mm [.216 in]**

Sealable: **Yes**

[All DT-XT 2-way Plug Connectors \(5\)](#)

Features

Product Type Features

Mixed & Hybrid Connector	No
Connector Shape	Rectangular
Connector System	Wire-to-Wire
Connector & Housing Type	Plug
Sealable	Yes
Connector & Contact Terminates To	Wire & Cable
Primary Locking Feature	Integrated in Housing

Configuration Features

Number of Positions	2
Number of Rows	1

Body Features

Primary Product Color	Black
-----------------------	-------



Contact Features

Contact Size	Size 16
Mating Pin Diameter	1.56 mm[.061 in]

Mechanical Attachment

Mating Alignment Type	Polarized
Mating Alignment	With
Connector Mounting Type	Cable Mount (Free-Hanging)

Housing Features

Centerline (Pitch)	5.5 mm[.216 in]
--------------------	-----------------

Usage Conditions

Operating Temperature (Max)	125 °C[257 °F]
Operating Temperature Range	-55 – 125 °C[-67 – 257 °F]

Other

Connector Position Assurance Capable	No
--------------------------------------	----

Product Compliance

[For compliance documentation, visit the product page on TE.com>](#)

EU RoHS Directive 2011/65/EU	Compliant
EU ELV Directive 2000/53/EC	Compliant
China RoHS 2 Directive MIIT Order No 32, 2016	No Restricted Materials Above Threshold
EU REACH Regulation (EC) No. 1907/2006	Current ECHA Candidate List: JUNE 2023 (235) Candidate List Declared Against: JAN 2023 (233) Does not contain REACH SVHC
Halogen Content	BFR/CFR/PVC Free, but Br/Cl >900 ppm in other sources.
Solder Process Capability	Not reviewed for solder process capability

Product Compliance Disclaimer

This information is provided based on reasonable inquiry of our suppliers and represents our current actual knowledge based on the information they provided. This information is subject to change. The part numbers that TE has identified as EU RoHS compliant have a maximum concentration of 0.1% by weight in homogenous materials for lead, hexavalent chromium, mercury, PBB, PBDE, DBP, BBP, DEHP, DIBP, and 0.01% for cadmium, or qualify for an exemption to these limits as defined in the Annexes of Directive 2011/65/EU (RoHS2). Finished electrical and electronic equipment products will be CE marked as required by Directive 2011/65/EU. Components may not be CE marked. Additionally, the part numbers that TE has identified as EU ELV compliant have a maximum concentration of 0.1% by weight in homogenous materials for lead, hexavalent chromium, and mercury, and 0.01% for cadmium, or qualify for an exemption to these limits as defined in the Annexes of Directive 2000/53/EC (ELV). Regarding the REACH Regulation, the information TE provides

on SVHC in articles for this part number is based on the latest European Chemicals Agency (ECHA) 'Guidance on requirements for substances in articles' posted at this URL: <https://echa.europa.eu/guidance-documents/guidance-on-reach>

Compatible Parts




TE Part # 2600048-1
BLIND CAVITY PLUG




TE Part # 2600025-1
2CCT ML-Xt WEDGELOCK PLUG GREEN

Also in the Series | DEUTSCH DT-XT



Automotive Housings(57)



Connector Seals & Cavity Plugs(1)

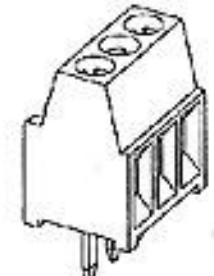
Customers Also Bought



TE Part #3-1461491-3
PCN-112D3MHZ,000



TE Part #6-1393243-3
RT424012



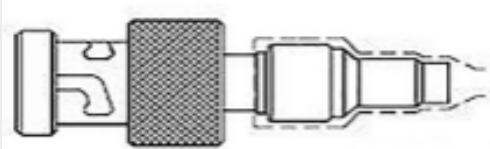
TE Part #282834-2
TERMI-BLOK PCB MOUNT, 90 2P.



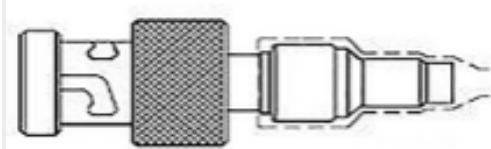
TE Part #1419108-1
RT114012



TE Part #1-1649329-3
RT424012



TE Part #727755-000
DK-621-1634-1S



TE Part #468675-000
DK-621-1636-2S



TE Part #L9000092-01
Antenna Whip 2.4GHz Tilt Swivel RPS



Documents

Product Drawings

[2CCT BLACK PLUG W/LARGE SEAL](#)

English

CAD Files

[3D PDF](#)

3D

Customer View Model

[ENG_CVM_CVM_1-2600023-0_1.2d_dxf.zip](#)

English

Customer View Model

[ENG_CVM_CVM_1-2600023-0_1.3d_igs.zip](#)

English

Customer View Model

[ENG_CVM_CVM_1-2600023-0_1.3d_stp.zip](#)

English

By downloading the CAD file I accept and agree to the [Terms and Conditions](#) of use.

Product Specifications

[Application Specification](#)

English

Agency Approvals

[UL Report](#)

English