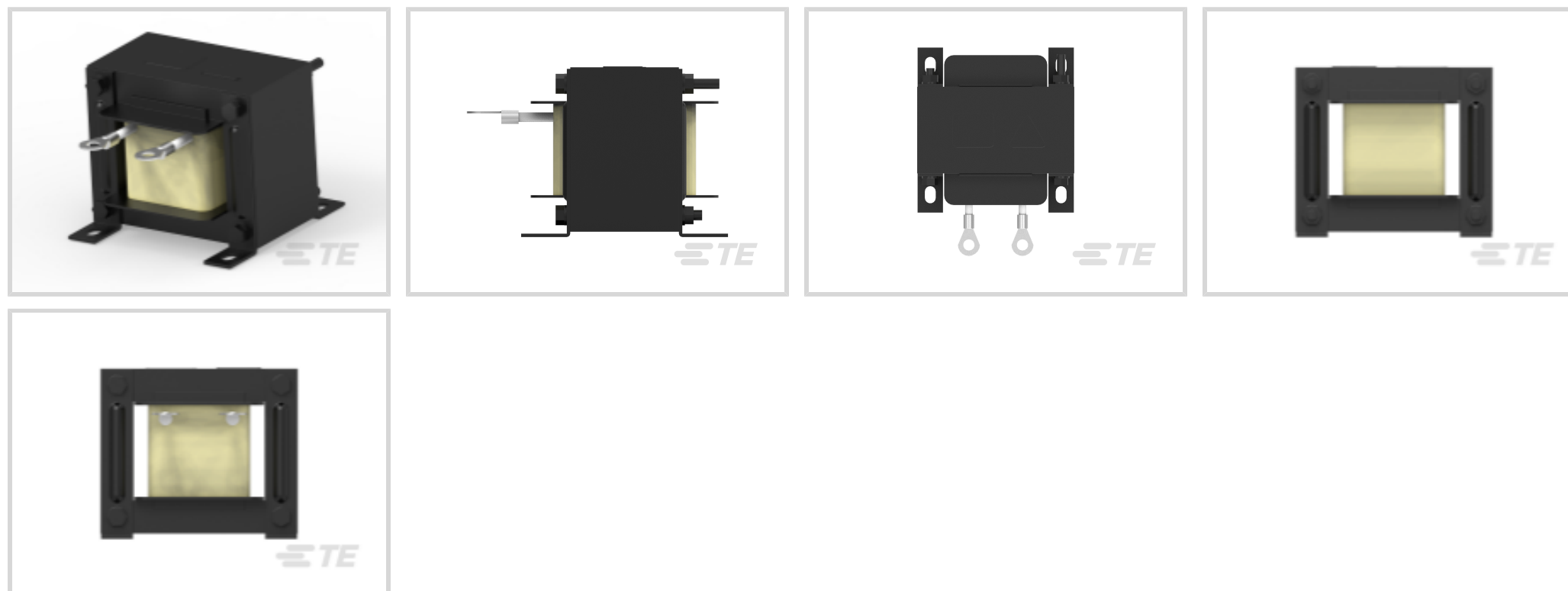




EMI & EMC Solutions > Line Reactors



Wiring Configuration: **Single Phase**  
 Current Rating: **40 A**

### Features

#### Product Type Features

|                         |           |
|-------------------------|-----------|
| Output Termination Type | Wire Lead |
| Input Termination Type  | Wire Lead |

#### Configuration Features

|                      |              |
|----------------------|--------------|
| Wiring Configuration | Single Phase |
|----------------------|--------------|

#### Electrical Characteristics

|                                     |             |
|-------------------------------------|-------------|
| Operating Voltage (Max)             | 250 VAC     |
| %Impedence @ 50Hz and Rated Current | 4% @ 230VAC |
| Power Rating                        | 11.1 hp     |
| Operating Voltage                   | 230 VAC     |
| Current Rating                      | 40 A        |

#### Mechanical Attachment

|                    |         |
|--------------------|---------|
| Product Mount Type | Chassis |
|--------------------|---------|

### Product Compliance

[For compliance documentation, visit the product page on TE.com>](#)

|   |   |
|---|---|
| EU RoHS Directive 2011/65/EU                  | Compliant                               |
| EU ELV Directive 2000/53/EC                   | Not Yet Reviewed                        |
| China RoHS 2 Directive MIIT Order No 32, 2016 | No Restricted Materials Above Threshold |

EU REACH Regulation (EC) No. 1907/2006

Current ECHA Candidate List: JUNE 2023 (235)

Candidate List Declared Against: JUNE 2023 (235)

Does not contain REACH SVHC

Halogen Content

Low Halogen - Br, Cl, F, I &lt; 900 ppm per homogenous material. Also BFR/CFR/PVC Free

Solder Process Capability

Not reviewed for solder process capability

## Product Compliance Disclaimer

This information is provided based on reasonable inquiry of our suppliers and represents our current actual knowledge based on the information they provided. This information is subject to change. The part numbers that TE has identified as EU RoHS compliant have a maximum concentration of 0.1% by weight in homogenous materials for lead, hexavalent chromium, mercury, PBB, PBDE, DBP, BBP, DEHP, DIBP, and 0.01% for cadmium, or qualify for an exemption to these limits as defined in the Annexes of Directive 2011/65/EU (RoHS2). Finished electrical and electronic equipment products will be CE marked as required by Directive 2011/65/EU. Components may not be CE marked. Additionally, the part numbers that TE has identified as EU ELV compliant have a maximum concentration of 0.1% by weight in homogenous materials for lead, hexavalent chromium, and mercury, and 0.01% for cadmium, or qualify for an exemption to these limits as defined in the Annexes of Directive 2000/53/EC (ELV). Regarding the REACH Regulations, TE's information on SVHC in articles for this part number is still based on the European Chemical Agency (ECHA) 'Guidance on requirements for substances in articles' (Version: 2, April 2011), applying the 0.1% weight on weight concentration threshold at the finished product level. TE is aware of the European Court of Justice ruling of September 10th, 2015 also known as O5A (Once An Article Always An Article) stating that, in case of 'complex object', the threshold for a SVHC must be applied to both the product as a whole and simultaneously to each of the articles forming part of its composition. TE has evaluated this ruling based on the new ECHA "Guidance on requirements for substances in articles" (June 2017, version 4.0) and will be updating its statements accordingly.

## Compatible Parts



## Documents

## Product Drawings

RPO-1-40

English

## CAD Files

Customer View Model

[ENG\\_CVM\\_CVM\\_1-2432408-1\\_A.3d\\_igs.zip](#)

English

Customer View Model

[ENG\\_CVM\\_CVM\\_1-2432408-1\\_A.3d\\_stp.zip](#)



English

**Customer View Model**

[ENG\\_CVM\\_CVM\\_1-2432408-1\\_A.2d\\_dxf.zip](#)

English

**3D PDF**

3D

By downloading the CAD file I accept and agree to the [Terms and Conditions](#) of use.

**Datasheets & Catalog Pages**

[2450027-1\\_Single Line AC Reactor\\_STD](#)

English