



Connectors > Connector Accessories > Connector Caps & Covers



Connector Cover Type: **Protective Cap**
 Primary Product Color: **Black**
 Primary Product Material: **Thermoplastic**
 Operating Temperature (Max): **80 °C [176 °F]**
 Operating Temperature Range: **-20 – 80 °C [-4 – 176 °F]**

Features

Product Type Features

Connector Cover Type	Protective Cap
----------------------	----------------

Body Features

Primary Product Color	Black
Primary Product Material	Thermoplastic

Housing Features

Compatible With Connector Shape	Circular
---------------------------------	----------

Usage Conditions

Operating Temperature (Max)	80 °C[176 °F]
Operating Temperature Range	-20 – 80 °C[-4 – 176 °F]

Operation/Application

Compatible With Connector Shell Size	11, 13
--------------------------------------	--------

Product Compliance

[For compliance documentation, visit the product page on TE.com>](#)

EU RoHS Directive 2011/65/EU	Compliant
------------------------------	-----------

EU ELV Directive 2000/53/EC

Not Yet Reviewed

China RoHS 2 Directive MIIT Order No 32, 2016

No Restricted Materials Above Threshold

EU REACH Regulation (EC) No. 1907/2006

Current ECHA Candidate List: JUNE 2023 (235)

Candidate List Declared Against: JUNE 2023 (235)

Does not contain REACH SVHC

Halogen Content

Low Halogen - Br, Cl, F, I < 900 ppm per homogenous material. Also BFR/CFR/PVC Free

Solder Process Capability

Not reviewed for solder process capability

Product Compliance Disclaimer

This information is provided based on reasonable inquiry of our suppliers and represents our current actual knowledge based on the information they provided. This information is subject to change. The part numbers that TE has identified as EU RoHS compliant have a maximum concentration of 0.1% by weight in homogenous materials for lead, hexavalent chromium, mercury, PBB, PBDE, DBP, BBP, DEHP, DIBP, and 0.01% for cadmium, or qualify for an exemption to these limits as defined in the Annexes of Directive 2011/65/EU (RoHS2). Finished electrical and electronic equipment products will be CE marked as required by Directive 2011/65/EU. Components may not be CE marked. Additionally, the part numbers that TE has identified as EU ELV compliant have a maximum concentration of 0.1% by weight in homogenous materials for lead, hexavalent chromium, and mercury, and 0.01% for cadmium, or qualify for an exemption to these limits as defined in the Annexes of Directive 2000/53/EC (ELV). Regarding the REACH Regulation, the information TE provides on SVHC in articles for this part number is based on the latest European Chemicals Agency (ECHA) 'Guidance on requirements for substances in articles' posted at this URL: <https://echa.europa.eu/guidance-documents/guidance-on-reach>

Compatible Parts



TE Part # CAT-AM71-C83998M
CPC Connectors, Series 2



TE Part # CAT-AM71-C83998F
Connectors with Posted Pin Contacts,
CPC Series 1



TE Part # CAT-AM71-C83998Y
One-Piece Connector, Sealed, CPC
Series 1



TE Part # CAT-AM71-C83998EE
Mini Circular Plastic Connectors (CPC)



TE Part # CAT-AM71-C83998J
Cable/Panel Mount Connector, CPC
Series 1



TE Part # CAT-AM71-C83998K
Circular Connector, Environmentally
Sealed, CPC Series 6



TE Part # CAT-AM71-C83998DD
Connectors, CPC Series 2, with Posted
Contacts



TE Part # 205841-1
CPC RECPT ASSEMBLY SIZE 11-8



TE Part # 205841-2
CPC RECPT ASSEMBLY SIZE 11-8



TE Part # 1977877-1
SLD CPC RCPT ASY, 11-4, STD SEX, UV RESIST



TE Part # 208130-1
CPC RECPT ASSEMBLY SIZE 11-4

Customers Also Bought



TE Part # 206070-8
CABLE CLAMP KIT #17



TE Part # DT04-2P
REC, 2P, GRY, N



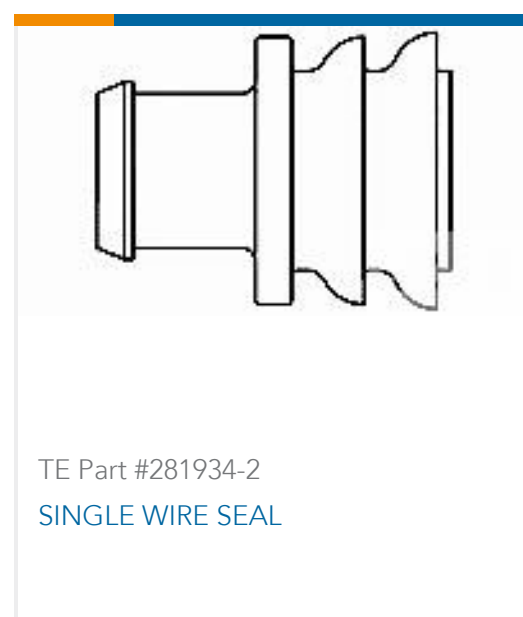
TE Part # DT06-2S
PLG, 2P, GRY, N



TE Part # W2S
Wedgelocks: DEUTSCH DT



TE Part # 282104-1
AMP SUPERSEAL 1.5MM,
CONNECTOR HOUSING



TE Part # 281934-2
SINGLE WIRE SEAL



TE Part # 0460-202-16141
DEUTSCH Solid Contacts

Documents

Product Drawings

CAP, CPC, SIZE 11 RECP & 13 PLUG, BLACK

English

CAD Files

Customer View Model

[ENG_CVM_CVM_1-2407269-2_2.3d_stp.zip](#)

English

Customer View Model

[ENG_CVM_CVM_1-2407269-2_2.2d_dxf.zip](#)

English

Customer View Model

[ENG_CVM_CVM_1-2407269-2_2.3d_igs.zip](#)

English

3D PDF

3D

By downloading the CAD file I accept and agree to the [Terms and Conditions](#) of use.



Datasheets & Catalog Pages

[Datasheet - CPC Protective Caps](#)

English

Instruction Sheets

[Instruction Sheet \(U.S.\)](#)

English