

1-2314097-2 ✓ ACTIVE



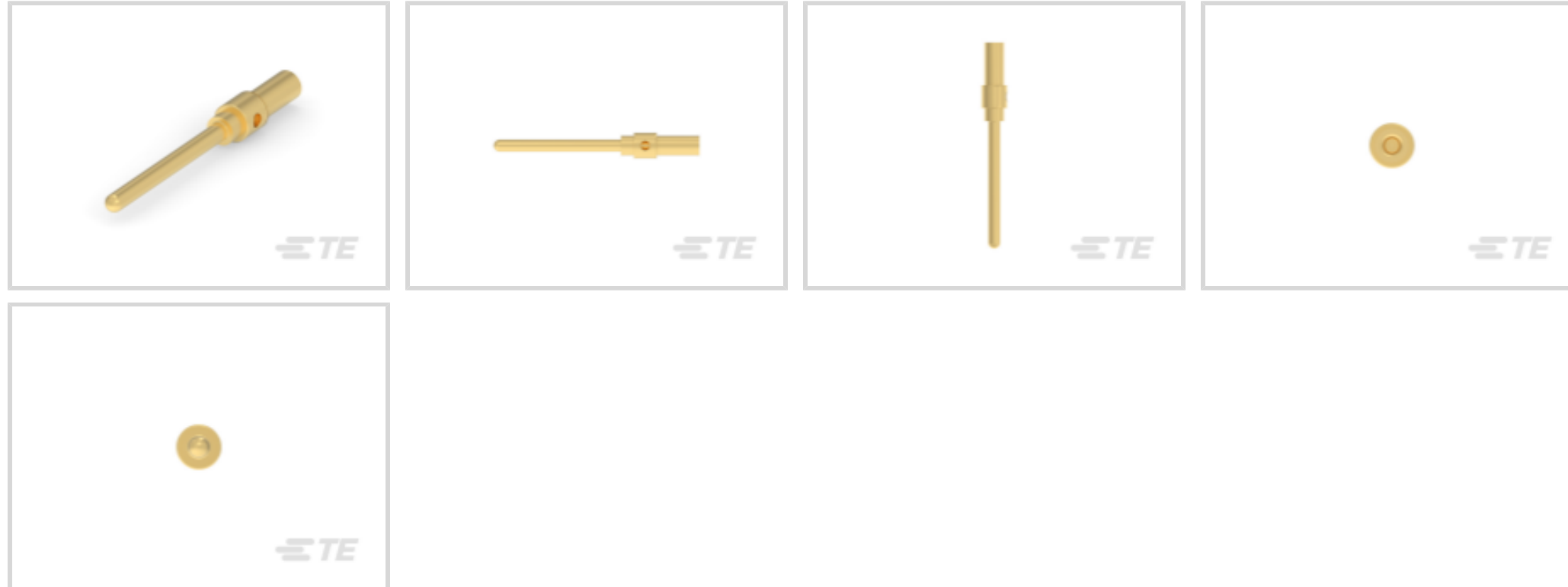
M12 Rail PG Clamp

TE Internal #: 1-2314097-2

Standard Circular Connectors, Cable-to-Cable, Sealable, Wire & Cable, Signal, Cable Mount (Free-Hanging), Nickel, Brass, M12 Rail PG Clamp

[View on TE.com >](#)

Connectors > Circular Connectors > Standard Circular Connectors > M12 Crimp Contact for A8 Code



Connector System: **Cable-to-Cable**

Sealable: **Yes**

Connector & Contact Terminates To: **Wire & Cable**

Contact Current Rating (Max): **2 A**

Circuit Application: **Signal**

[All M12 Crimp Contact for A8 Code \(4\)](#)

Features

Product Type Features

Product Type	Connector Kit
Connector System	Cable-to-Cable
Sealable	Yes
Connector & Contact Terminates To	Wire & Cable

Electrical Characteristics

Operating Voltage	30 VDC
-------------------	--------

Signal Characteristics

Data Rate	1 Gb/s
-----------	--------

Body Features

Shell Plating Material	Nickel
Shell Base Material	Brass

Contact Features



Contact Current Rating (Max)	2 A
------------------------------	-----

Circular Connector Contact Type	Pin
---------------------------------	-----

Mechanical Attachment

Connector Mounting Type	Cable Mount (Free-Hanging)
-------------------------	----------------------------

Polarization Code	A
-------------------	---

Mating Alignment Type	Keyed
-----------------------	-------

Mating Retention	With
------------------	------

Dimensions

Wire Size	22 – 28 AWG
-----------	-------------

Usage Conditions

IP Water Sealing Level	IP67
------------------------	------

IP Dust Sealing Level	6
-----------------------	---

Operating Temperature Range	-40 – 85 °C[-40 – 185 °F]
-----------------------------	---------------------------

Operation/Application

Durability Rating	250 Cycles
-------------------	------------

Circuit Application	Signal
---------------------	--------

Shielded	Yes
----------	-----

Industry Standards

UL Flammability Rating	UL 94V-0
------------------------	----------

Packaging Features

Packaging Quantity	1
--------------------	---

Other

Field Serviceable	Yes
-------------------	-----

Product Compliance

[For compliance documentation, visit the product page on TE.com>](#)

EU RoHS Directive 2011/65/EU	Compliant with Exemptions
------------------------------	---------------------------

EU ELV Directive 2000/53/EC	Not Yet Reviewed
-----------------------------	------------------

China RoHS 2 Directive MIIT Order No 32, 2016	Restricted Materials Above Threshold
---	--------------------------------------

EU REACH Regulation (EC) No. 1907/2006	Current ECHA Candidate List: JUNE 2023 (235) Candidate List Declared Against: JUNE 2023 (235)
--	--



SVHC > Threshold:

Pb (3.5% in Component Part)

Article Safe Usage Statements:

Do not eat, drink or smoke when using this product. Wash thoroughly after handling. Recycle if possible and dispose of the article by following all applicable governmental regulations relevant to your geographic location.

Halogen Content

Low Halogen - Br, Cl, F, I < 900 ppm per homogenous material. Also BFR/CFR/PVC Free

Solder Process Capability

Not reviewed for solder process capability

Product Compliance Disclaimer

This information is provided based on reasonable inquiry of our suppliers and represents our current actual knowledge based on the information they provided. This information is subject to change. The part numbers that TE has identified as EU RoHS compliant have a maximum concentration of 0.1% by weight in homogenous materials for lead, hexavalent chromium, mercury, PBB, PBDE, DBP, BBP, DEHP, DIBP, and 0.01% for cadmium, or qualify for an exemption to these limits as defined in the Annexes of Directive 2011/65/EU (RoHS2). Finished electrical and electronic equipment products will be CE marked as required by Directive 2011/65/EU. Components may not be CE marked. Additionally, the part numbers that TE has identified as EU ELV compliant have a maximum concentration of 0.1% by weight in homogenous materials for lead, hexavalent chromium, and mercury, and 0.01% for cadmium, or qualify for an exemption to these limits as defined in the Annexes of Directive 2000/53/EC (ELV). Regarding the REACH Regulation, the information TE provides on SVHC in articles for this part number is based on the latest European Chemicals Agency (ECHA) 'Guidance on requirements for substances in articles' posted at this URL: <https://echa.europa.eu/guidance-documents/guidance-on-reach>

Compatible Parts




TE Part # 1-2823582-8
POSITIONER M12 RAIL A8 PIN COMPACT



TE Part # 1-2312547-1
M12 A-CODED M-8 CABLE GLAND CONECTR MALE




TE Part # 601966-1
CRIMPING TOOL M22520/2-01



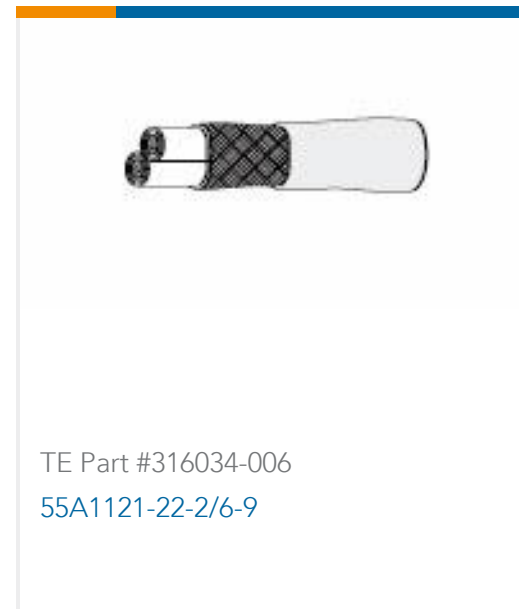
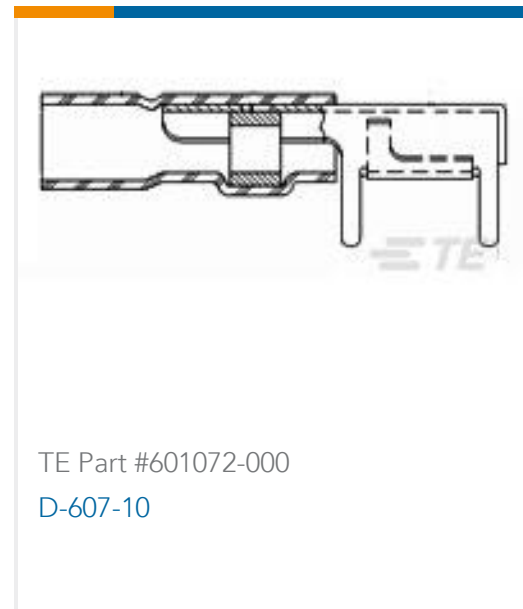
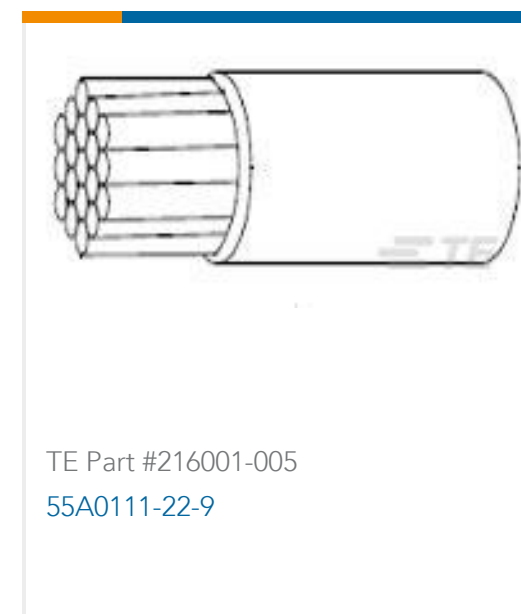
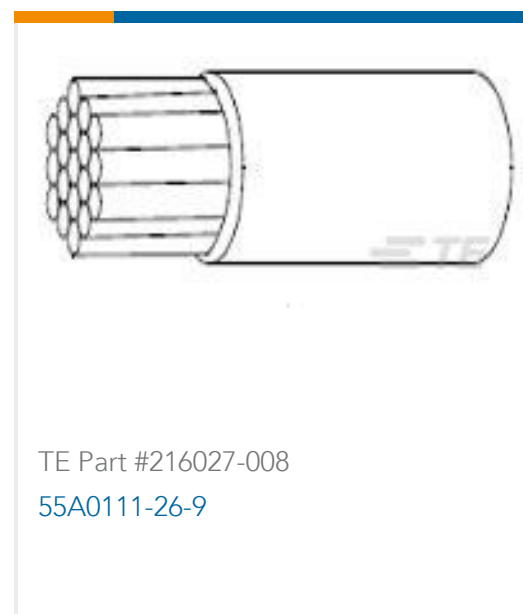
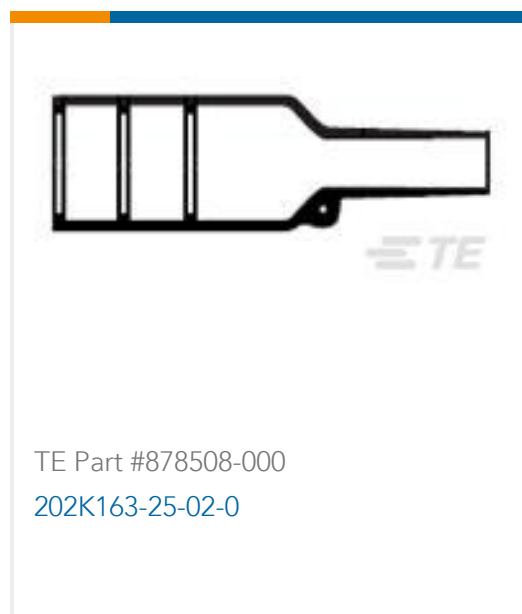
TE Part # 601967-1
CRIMPING TOOL M22520/1-01

Also in the Series | M12 Rail PG Clamp



Standard Circular Connectors(22)

Customers Also Bought



Documents

Product Drawings

M12 CRIMP CONTACT PIN 0.8MM AWG26

English

CAD Files

3D PDF

3D

Customer View Model

[ENG_CVM_CVM_1-2314097-2_A.2d_dxf.zip](#)

English

Customer View Model

[ENG_CVM_CVM_1-2314097-2_A.3d_igs.zip](#)

English

Customer View Model

[ENG_CVM_CVM_1-2314097-2_A.3d_stp.zip](#)

English

By downloading the CAD file I accept and agree to the [Terms and Conditions](#) of use.

Datasheets & Catalog Pages



[Rail D-Sub Backshells Flyer](#)

English