



**Rail D-Sub Backshells**

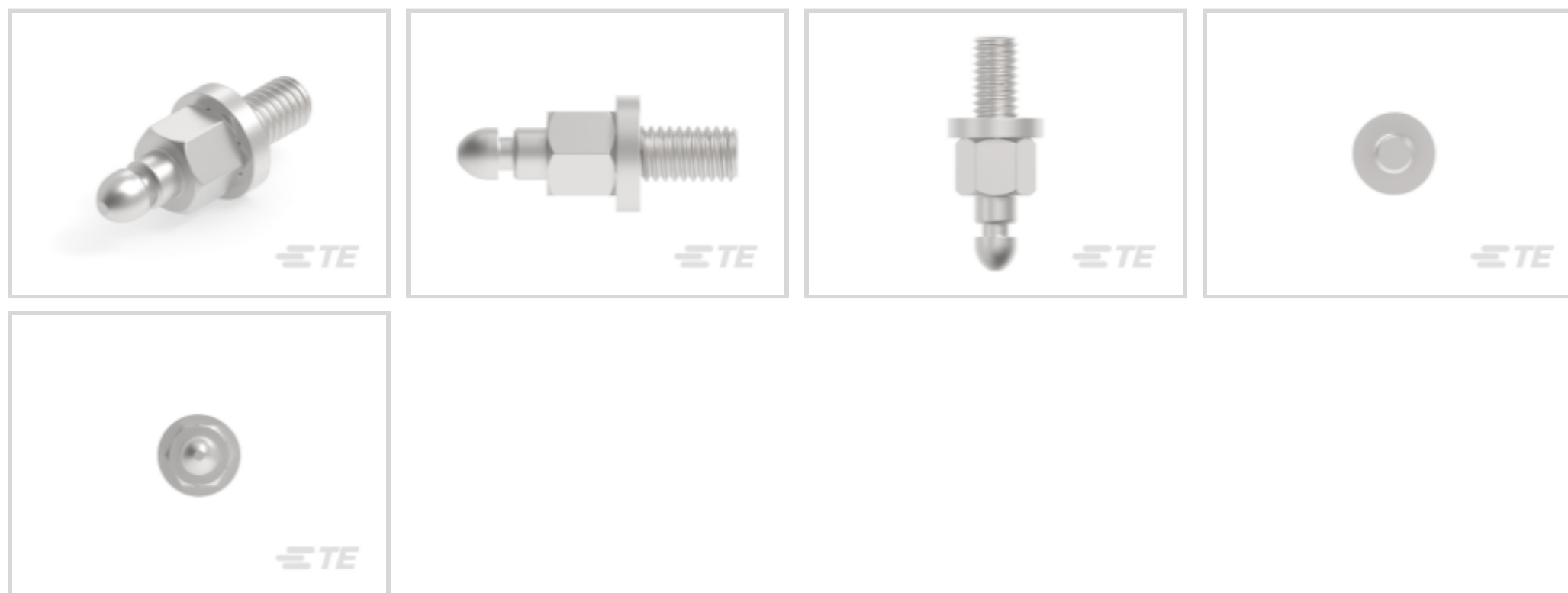
TE Internal #: 1-2308265-8

Rectangular Connector Hardware, Quick Lock Pins, -40 – 90 °C [-40 – 194 °F], Rail D-Sub Backshells

[View on TE.com >](#)

Connectors > Rectangular Connectors > Rectangular Connector Accessories > Rectangular Connector Hardware >

Quick Lock Pins for D-Sub with Threaded Inserts



Connector Hardware Type: **Quick Lock Pins**

Operating Temperature Range: **-40 – 90 °C [-40 – 194 °F]**

[All Quick Lock Pins for D-Sub with Threaded Inserts \(10\)](#)

**Features**

**Mechanical Attachment**

Thread Size	None
Connector Hardware Type	Quick Lock Pins

**Usage Conditions**

Operating Temperature Range	-40 – 90 °C[-40 – 194 °F]
-----------------------------	---------------------------

**Product Compliance**

[For compliance documentation, visit the product page on TE.com>](#)

EU RoHS Directive 2011/65/EU	Compliant with Exemptions
EU ELV Directive 2000/53/EC	Not Yet Reviewed
China RoHS 2 Directive MIIT Order No 32, 2016	Restricted Materials Above Threshold
EU REACH Regulation (EC) No. 1907/2006	Current ECHA Candidate List: JUNE 2023 (235) Candidate List Declared Against: JUNE 2023 (235) SVHC > Threshold: Pb (3.5% in Component Part) <small>Article Safe Usage Statements:</small>



Do not eat, drink or smoke when using this product. Wash thoroughly after handling. Recycle if possible and dispose of the article by following all applicable governmental regulations relevant to your geographic location.

Halogen Content

Low Halogen - Br, Cl, F, I < 900 ppm per homogenous material. Also BFR/CFR/PVC Free

Solder Process Capability

Not reviewed for solder process capability

Product Compliance Disclaimer

This information is provided based on reasonable inquiry of our suppliers and represents our current actual knowledge based on the information they provided. This information is subject to change. The part numbers that TE has identified as EU RoHS compliant have a maximum concentration of 0.1% by weight in homogenous materials for lead, hexavalent chromium, mercury, PBB, PBDE, DBP, BBP, DEHP, DIBP, and 0.01% for cadmium, or qualify for an exemption to these limits as defined in the Annexes of Directive 2011/65/EU (RoHS2). Finished electrical and electronic equipment products will be CE marked as required by Directive 2011/65/EU. Components may not be CE marked. Additionally, the part numbers that TE has identified as EU ELV compliant have a maximum concentration of 0.1% by weight in homogenous materials for lead, hexavalent chromium, and mercury, and 0.01% for cadmium, or qualify for an exemption to these limits as defined in the Annexes of Directive 2000/53/EC (ELV). Regarding the REACH Regulation, the information TE provides on SVHC in articles for this part number is based on the latest European Chemicals Agency (ECHA) 'Guidance on requirements for substances in articles' posted at this URL: <https://echa.europa.eu/guidance-documents/guidance-on-reach>

## Compatible Parts



TE Part # 1-2308319-1  
FULL METAL HOODS SIZE 1 (1)



TE Part # 1-2308330-1  
FULL METAL HOODS SIZE 4 (1)



TE Part # 1-2308338-1  
QL-FULL METAL HOODS SIZE 5 (1 CABLE CLP)



TE Part # 1-2308321-1  
FULL METAL HOODS SIZE 2, (1)



TE Part # 1-2308327-1  
FULL METAL HOODS SIZE 3 (1)

Also in the Series | [Rail D-Sub Backshells](#)



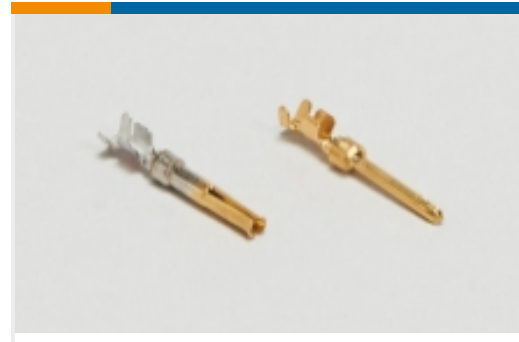
Connector Backshells(69)



Connector Strain Relief(53)



Crimp D-Sub Connectors(10)



D-Sub Connector Contacts(5)



Insertion & Extraction Tools(2)



Rectangular Connector Hardware(19)

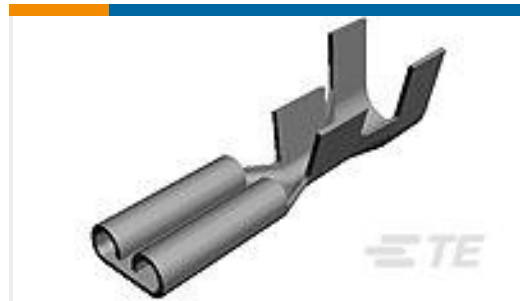
## Customers Also Bought



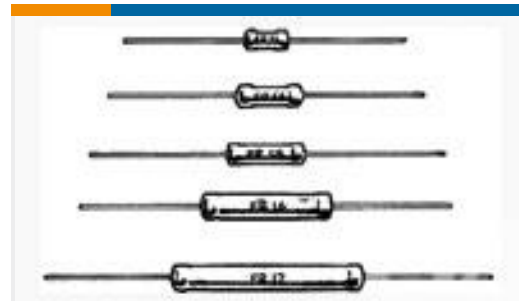
TE Part #6609046-4  
6ET1=F7003 S0



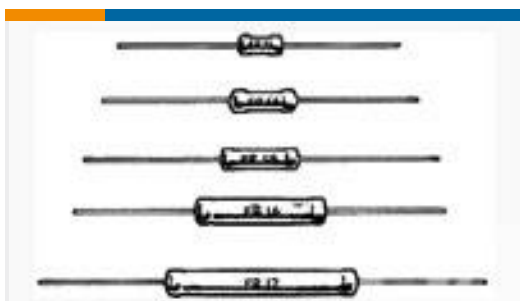
TE Part #166293-1  
LP HD20 COSI PIN CONTACT DF; 24-20 AWG



TE Part #41969-2  
250 FASTON REC 22-18 AWG BR



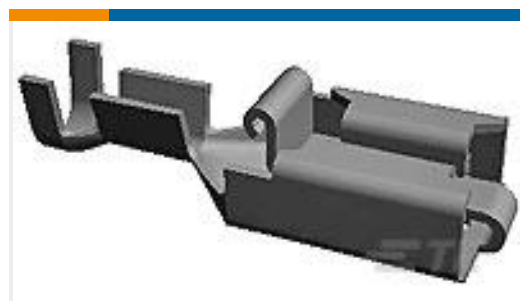
TE Part #1623750-6  
ER58 15K 5% AMMO



TE Part #1-1623746-3  
ER74 1R0 5% AMMO PK



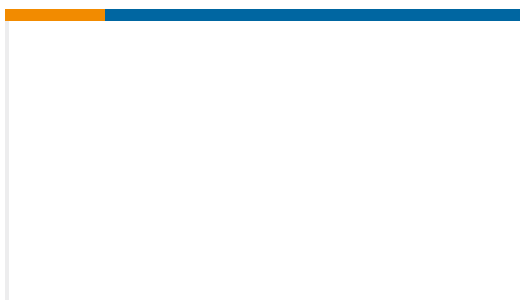
TE Part #708801-1  
4 E 95-25 CU



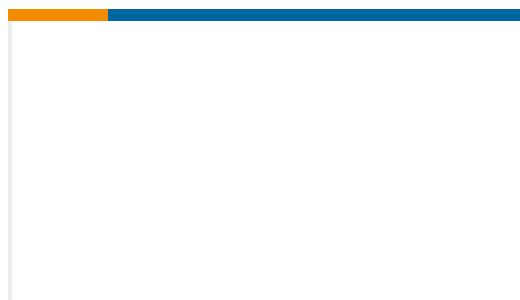
TE Part #160773-6  
PL LOOSE PIECE REC 0.5-1.5 MM2 PTPBR



TE Part #1SNA116519R1400  
PF11.G



TE Part #1SNA195627R1000  
M6/13.FF.1



TE Part #335781-000  
TMS-SCE-2.5K-3/16-2.0S1-4

## Documents



## Product Drawings

### QL SET FOR VARIANT B 8

English

---

## CAD Files

### 3D PDF

3D

#### Customer View Model

[ENG\\_CVM\\_CVM\\_1-2308265-8\\_A.2d\\_dxf.zip](#)

English

#### Customer View Model

[ENG\\_CVM\\_CVM\\_1-2308265-8\\_A.3d\\_igs.zip](#)

English

#### Customer View Model

[ENG\\_CVM\\_CVM\\_1-2308265-8\\_A.3d\\_stp.zip](#)

English

By downloading the CAD file I accept and agree to the [Terms and Conditions](#) of use.

---

## Datasheets & Catalog Pages

### Rail D-Sub Backshells Flyer

English