

1-2273122-1 ✓ ACTIVE

TE Internal #: 1-2273122-1

M12 Cable Assembly, 5 Position, .3 m, Sensor/Actuator, Code A,
M12 Plug, M12 Socket, Double Ended, Plastic

[View on TE.com >](#)



Cable Assemblies > Copper Cable Assemblies > M8/M12 Cable Assemblies > M12 MR-FS Double End Cable Assembly BL



M8/M12 Application Type: **Sensor/Actuator**

Number of Positions: **5**

Connector & Keying Code: **A**

Connector Type (End A): **M12 Plug**

Connector Type (End B): **M12 Socket**

[All M12 MR-FS Double End Cable Assembly BL \(15\)](#)

Features

Product Type Features

Connector Type (End A)	M12 Plug
Connector Type (End B)	M12 Socket
Cable Assembly Type	M12

Configuration Features

Configuration Number	AA
Number of Positions	5

Electrical Characteristics

Operating Voltage	125 VAC
-------------------	---------

Body Features

Cable Color	Black
Connector Color (End B)	Black
Connector Color (End A)	Black
Jacket Material	PVC
Wire Color (Base)	Brown, White, Blue, Black, Gray
Connector & Keying Code	A

Contact Features

Contact Current Rating (Max)	4 A
------------------------------	-----



Mechanical Attachment

Thread Size	M12 x M12
Connector Orientation (End A)	Right Angle
Connector Orientation (End B)	Straight

Housing Features

Housing Material	Plastic
------------------	---------

Dimensions

Outside Cable Diameter	5.2 mm [.204 in]
Wire Size	.326 mm ²

Usage Conditions

Operating Temperature Range	-30 – 80 °C [-22 – 176 °F]
-----------------------------	----------------------------

Operation/Application

M8/M12 Application Type	Sensor/Actuator
Shielded	No

Packaging Features

Packaging Quantity	25
Packaging Method	Box

Other

Field Serviceable	Yes
Cable Assembly Length	.3 m
Cable Assembly Configuration	Double Ended

Product Compliance

[For compliance documentation, visit the product page on TE.com>](#)

EU RoHS Directive 2011/65/EU	Compliant
EU ELV Directive 2000/53/EC	Compliant
China RoHS 2 Directive MIIT Order No 32, 2016	No Restricted Materials Above Threshold
EU REACH Regulation (EC) No. 1907/2006	Current ECHA Candidate List: JUNE 2023 (235) Candidate List Declared Against: JAN 2022 (223) Does not contain REACH SVHC
Halogen Content	Not Low Halogen - contains Br or Cl > 900 ppm.

Solder Process Capability

Not applicable for solder process capability

Product Compliance Disclaimer

This information is provided based on reasonable inquiry of our suppliers and represents our current actual knowledge based on the information they provided. This information is subject to change. The part numbers that TE has identified as EU RoHS compliant have a maximum concentration of 0.1% by weight in homogenous materials for lead, hexavalent chromium, mercury, PBB, PBDE, DBP, BBP, DEHP, DIBP, and 0.01% for cadmium, or qualify for an exemption to these limits as defined in the Annexes of Directive 2011/65/EU (RoHS2). Finished electrical and electronic equipment products will be CE marked as required by Directive 2011/65/EU. Components may not be CE marked. Additionally, the part numbers that TE has identified as EU ELV compliant have a maximum concentration of 0.1% by weight in homogenous materials for lead, hexavalent chromium, and mercury, and 0.01% for cadmium, or qualify for an exemption to these limits as defined in the Annexes of Directive 2000/53/EC (ELV). Regarding the REACH Regulation, the information TE provides on SVHC in articles for this part number is based on the latest European Chemicals Agency (ECHA) 'Guidance on requirements for substances in articles' posted at this URL: <https://echa.europa.eu/guidance-documents/guidance-on-reach>

Compatible Parts



TE Part # 1-2273114-1
M12 strgt plug to M12 strgt socket AA

Customers Also Bought



TE Part #SPD-12-3
STRING POT 12.5 INCH RANGE



TE Part #HD36-24-47SE-059
DEUTSCH HD30 Housings



TE Part #1011-249-1205
DEUTSCH DT Backshells



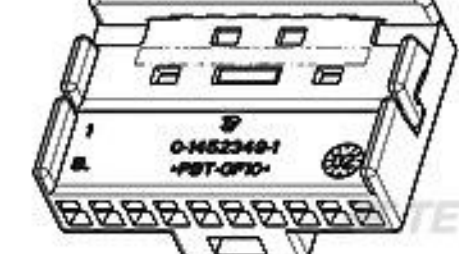
TE Part #T4162123005-002
RPC-M12-5MS-1.0SH-M12-5FS-PUR




TE Part #2-2106003-3
Connector, SMT-IDC, 3 position, 22AWG



TE Part #1355717-1
MQS0,63 Sn rec LL unseal. 0,08-0,22



TE Part #1452349-1
10POS MQS REC



TE Part #T4171010005-002
M12,REAR MOUNTING,MALE,A,5P,0.5 M WIRE

Documents

Product Drawings

M12 angled plug to M12 straight socket AA



English

CAD Files

[3D PDF](#)

3D

Customer View Model

[ENG_CVM_CVM_1-2273122-1_A.2d_dxf.zip](#)

English

Customer View Model

[ENG_CVM_CVM_1-2273122-1_A.3d_igs.zip](#)

English

Customer View Model

[ENG_CVM_CVM_1-2273122-1_A.3d_stp.zip](#)

English

By downloading the CAD file I accept and agree to the [Terms and Conditions](#) of use.

Datasheets & Catalog Pages

[M8 / M12 Connector System Catalog](#)

English

[M8 / M12 Connector System Catalog](#)

Japanese

Product Specifications

[Product Specification](#)

English