

1-2273110-4 ✓ ACTIVE

TE Internal #: 1-2273110-4

M8 to M12 Cable Assembly, 3 Position, 1.5 m, Sensor/Actuator,  
Code A, M8 Socket, M12 Plug, Double Ended, Plastic

[View on TE.com >](#)



Cable Assemblies > Copper Cable Assemblies > M8/M12 Cable Assemblies > M8 FS - M12 MS Cable Assembly BL



M8/M12 Application Type: **Sensor/Actuator**

Number of Positions: **3**

Connector & Keying Code: **A**

Connector Type (End A): **M8 Socket**

Connector Type (End B): **M12 Plug**

[All M8 FS - M12 MS Cable Assembly BL \(20\)](#)

## Features

### Product Type Features

Connector Type (End A)	M8 Socket
Connector Type (End B)	M12 Plug
Cable Assembly Type	M8 to M12

### Configuration Features

Number of Positions	3
---------------------	---

### Electrical Characteristics

Operating Voltage	60 VAC
-------------------	--------

### Body Features

Cable Color	Black
Connector Color (End B)	Black
Connector Color (End A)	Black
Jacket Material	PVC
Wire Color (Base)	Brown, Blue, Black
Connector & Keying Code	A

### Contact Features

Contact Current Rating (Max)	4 A
------------------------------	-----

### Mechanical Attachment



Thread Size	M12 x M8
Connector Orientation (End A)	Straight
Connector Orientation (End B)	Straight

### Housing Features

Housing Material	Plastic
------------------	---------

### Dimensions

Outside Cable Diameter	4.5 mm [.177 in]
Wire Size	.326 mm <sup>2</sup>

### Usage Conditions

Operating Temperature Range	-30 – 80 °C [-22 – 176 °F]
-----------------------------	----------------------------

### Operation/Application

M8/M12 Application Type	Sensor/Actuator
Shielded	No

### Packaging Features

Packaging Method	Box
------------------	-----

### Other

Field Serviceable	Yes
Cable Assembly Length	1.5 m
Cable Assembly Configuration	Double Ended

### Product Compliance

[For compliance documentation, visit the product page on TE.com>](#)

EU RoHS Directive 2011/65/EU	Compliant
EU ELV Directive 2000/53/EC	Not Yet Reviewed
China RoHS 2 Directive MIIT Order No 32, 2016	No Restricted Materials Above Threshold
EU REACH Regulation (EC) No. 1907/2006	Current ECHA Candidate List: JUNE 2023 (235) Candidate List Declared Against: JAN 2022 (223) Does not contain REACH SVHC
Halogen Content	Low Halogen - Br, Cl, F, I < 900 ppm per homogenous material. Also BFR/CFR/PVC Free
Solder Process Capability	Not applicable for solder process capability

Product Compliance Disclaimer

This information is provided based on reasonable inquiry of our suppliers and represents our current actual knowledge based on the information they provided. This information is subject to change. The part numbers that TE has identified as EU RoHS compliant have a maximum concentration of 0.1% by weight in homogenous materials for lead, hexavalent chromium, mercury, PBB, PBDE, DBP, BBP, DEHP, DIBP, and 0.01% for cadmium, or qualify for an exemption to these limits as defined in the Annexes of Directive 2011/65/EU (RoHS2). Finished electrical and electronic equipment products will be CE marked as required by Directive 2011/65/EU. Components may not be CE marked. Additionally, the part numbers that TE has identified as EU ELV compliant have a maximum concentration of 0.1% by weight in homogenous materials for lead, hexavalent chromium, and mercury, and 0.01% for cadmium, or qualify for an exemption to these limits as defined in the Annexes of Directive 2000/53/EC (ELV). Regarding the REACH Regulation, the information TE provides on SVHC in articles for this part number is based on the latest European Chemicals Agency (ECHA) 'Guidance on requirements for substances in articles' posted at this URL: <https://echa.europa.eu/guidance-documents/guidance-on-reach>

### Compatible Parts



TE Part # T4051110003-003  
M8 CABLE ST MALE 1.5M 3P PVC CABLE

### Customers Also Bought



TE Part #206305-1  
CPC PLUG ASSEMBLY SIZE 23-37



TE Part #T4070014041-001  
M8.MLE.PNLREAR.4POS.STR WIRE



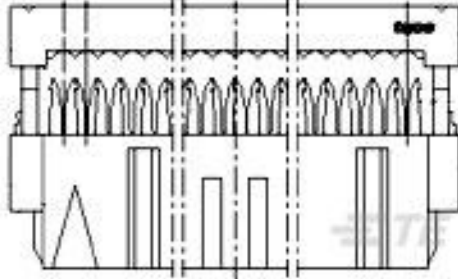
TE Part #2015357-3  
C/A, UMCC/UMCC, 1.37 OD CABLE, 100MM LON




TE Part #5557562-1  
MOD JK ASSY, 4PORT, 8POSN, RTANG



TE Part #66101-2  
III+ SKT, 18-16, TIN-LEAD, LP



TE Part #1-215882-6  
16 WAY GREY MK II RECP



TE Part #324893  
SPlice, SOLIS BUTT STRAP 12-10



TE Part #214012-E  
SRCA 1, 27 4 M 1 SMD 137 E1 094 \* GURT \*



## Documents

### Product Drawings

[M8 strgt socket to M12 strgt plug AA](#)

English

### CAD Files

[3D PDF](#)

3D

Customer View Model

[ENG\\_CVM\\_CVM\\_1-2273110-4\\_A.2d\\_dxf.zip](#)

English

Customer View Model

[ENG\\_CVM\\_CVM\\_1-2273110-4\\_A.3d\\_igs.zip](#)

English

Customer View Model

[ENG\\_CVM\\_CVM\\_1-2273110-4\\_A.3d\\_stp.zip](#)

English

By downloading the CAD file I accept and agree to the [Terms and Conditions](#) of use.

### Datasheets & Catalog Pages

[M8 / M12 Connector System Catalog](#)

English

[M8 / M12 Connector System Catalog](#)

Japanese

### Product Specifications

[Product Specification](#)

English