



TE Internal #: 1-2271656-1
 Industrial Mini I/O Connectors, Industrial Mini I/O, High Connector Contact Density, Jack, Shielded, Cat 5e, Cable-to-Board, Vertical, Top Entry, LCP

[View on TE.com >](#)

Connectors > Modular Jacks & Plugs > Industrial Mini I/O Connectors > Mini I/O Straight Header Type 1



Modular Jacks & Plugs Products: **Industrial Mini I/O**

Connector Contact Density: **High**

Modular Connector Style: **Jack**

Shielded: **Yes**

Performance Category: **Cat 5e**

[All Mini I/O Straight Header Type 1 \(2\)](#)

Features

Product Type Features

Connector Product Type	Connector Assembly
Modular Jacks & Plugs Products	Industrial Mini I/O
Modular Connector Style	Jack
Connector System	Cable-to-Board
Connector & Contact Terminates To	Printed Circuit Board

Configuration Features

Port Matrix Configuration	1 x 1
Connector Contact Density	High
Number of Positions	8
PCB Mount Orientation	Vertical
Number of Loaded Positions	8

Signal Characteristics

Data Rate	10 Mb/s, 100 Mb/s, 1000 Mb/s
-----------	------------------------------



Body Features

Shield Material	Copper Alloy
Shield Plating Material	Nickel

Contact Features

Contact Mating Area Plating Material	Gold
Contact Underplating Material	Nickel
Contact Base Material	Copper Alloy
Contact Current Rating (Max)	1.5 A

Termination Features

Termination Method to Printed Circuit Board	Surface Mount
---	---------------

Mechanical Attachment

Mating Alignment Type	Keyed
Mating Alignment	With
Panel Mount Feature	Without
PCB Mount Retention Type	SMT + Through Hole
Connector Mounting Type	Board Mount

Housing Features

Housing Color	Black
Mating Entry Location	Top
Housing Material	LCP
Centerline (Pitch)	1.27 mm[.05 in]

Usage Conditions

Operating Temperature Range	-40 – 85 °C[-40 – 185 °F]
-----------------------------	---------------------------

Operation/Application

Shielded	Yes
Circuit Application	Power & Signal

Industry Standards

UL Flammability Rating	UL 94V-0
Performance Category	Cat 5e

Packaging Features

Packaging Quantity	100
Packaging Method	Box & Tray, Tray



Other

Modular Jacks & Plugs Comment	Type 1
Field Serviceable	No

Product Compliance

[For compliance documentation, visit the product page on TE.com>](#)

EU RoHS Directive 2011/65/EU	Compliant
EU ELV Directive 2000/53/EC	Compliant
China RoHS 2 Directive MIIT Order No 32, 2016	No Restricted Materials Above Threshold
EU REACH Regulation (EC) No. 1907/2006	Current ECHA Candidate List: JUNE 2023 (235) Candidate List Declared Against: JUNE 2023 (235) Does not contain REACH SVHC
Halogen Content	Not Low Halogen - contains Br or Cl > 900 ppm.
Solder Process Capability	Reflow solder capable to 260°C

Product Compliance Disclaimer

This information is provided based on reasonable inquiry of our suppliers and represents our current actual knowledge based on the information they provided. This information is subject to change. The part numbers that TE has identified as EU RoHS compliant have a maximum concentration of 0.1% by weight in homogenous materials for lead, hexavalent chromium, mercury, PBB, PBDE, DBP, BBP, DEHP, DIBP, and 0.01% for cadmium, or qualify for an exemption to these limits as defined in the Annexes of Directive 2011/65/EU (RoHS2). Finished electrical and electronic equipment products will be CE marked as required by Directive 2011/65/EU. Components may not be CE marked. Additionally, the part numbers that TE has identified as EU ELV compliant have a maximum concentration of 0.1% by weight in homogenous materials for lead, hexavalent chromium, and mercury, and 0.01% for cadmium, or qualify for an exemption to these limits as defined in the Annexes of Directive 2000/53/EC (ELV). Regarding the REACH Regulation, the information TE provides on SVHC in articles for this part number is based on the latest European Chemicals Agency (ECHA) 'Guidance on requirements for substances in articles' posted at this URL: <https://echa.europa.eu/guidance-documents/guidance-on-reach>

Compatible Parts

 <p>TE Part # 1-2201855-1 MINI I/O PLUG KIT TYPE II L</p>	 <p>TE Part # CAT-IN291-M6641M Mini I/O Field Installable Type 1</p>	 <p>TE Part # 2350323-1 MINI IO CONN Cat5e FI 2x2 AWG22 T I</p>	 <p>TE Part # 1-2350304-1 MINI IO CONN Cat5e FI 2x2 AWG24 /26 T I</p>
--	---	--	--



TE Part # 1-2350310-1
MINI IO CONN Cat6A FI 4x2 AWG24 /26 T I



TE Part # 1-2350323-1
MINI IO CONN Cat5e FI 2x2 AWG22 T I



TE Part # 2350304-1
MINI IO CONN Cat5e FI 2x2 AWG24 /26 T I



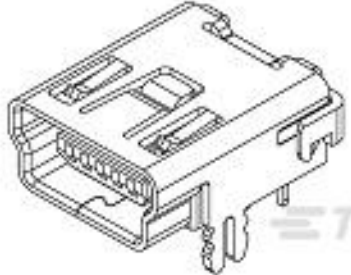
TE Part # 2350310-1
MINI IO CONN Cat6A FI 4x2 AWG24 /26 T I

TE Part # 2325716-1
CA MINI IO MINI IO TYPE I

Customers Also Bought



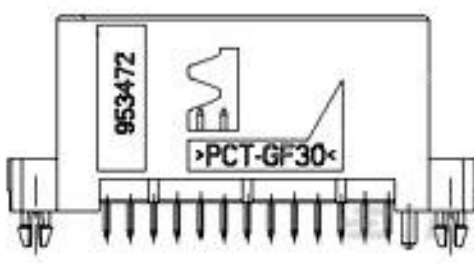
TE Part #1-1415899-5
RZ03-1A4-D009



TE Part #2172034-1
MINI USB B, RCPT, R/A, T/H, PBT, Tray



TE Part #1-1625890-8
2W SM M/OX 5% 18K



TE Part #953472-1
26pos MQS .63 header 180deg THR



TE Part #2-6447232-3
SUPER SEAL 34POS CAP ASSY V AU



TE Part #3-2229794-1
D3950 REC 3POS 1ROW X KEY MARKED



TE Part #225850-E
POWELM STIFT * M3 5 * * SMD 3 SN * * J 3

TE Part #1-1734579-7
MOD-JK,8P8C,SHD Reverse, thick, 30u" Au

TE Part #1734753-2
MINI USB, TYPE B, VERTICAL, T/H

Documents



Product Drawings

MINI IO VERTICAL SMT PLUS REC CONN KIT

English

CAD Files

3D PDF

3D

Customer View Model

[ENG_CVM_CVM_1-2271656-1_A.2d_dxf.zip](#)

English

Customer View Model

[ENG_CVM_CVM_1-2271656-1_A.3d_igs.zip](#)

English

Customer View Model

[ENG_CVM_CVM_1-2271656-1_A.3d_stp.zip](#)

English

By downloading the CAD file I accept and agree to the [Terms and Conditions](#) of use.

Product Specifications

Application Specification

English

Product Environmental Compliance

TE Material Declaration

English