

1-2186512-1 ✓ ACTIVE

T3212-Printer, T3224-Printer

TE Internal #: 1-2186512-1

Printer Accessories, Spare, Compatible Printers T3212-PRINTER /

T3224-PRINTER, T3212-Printer

[View on TE.com >](#)



Identification & Labeling > Printers, Software & Accessories > Printer Accessories



Printer Accessory Type: **Spare**

Compatible Printers: T3212-PRINTER, T3224-PRINTER

Features

Product Type Features

Printer Accessory Type	Spare
------------------------	-------

Operation/Application

Compatible Printers	T3212-PRINTER, T3224-PRINTER
---------------------	------------------------------

Product Compliance

[For compliance documentation, visit the product page on TE.com>](#)

EU RoHS Directive 2011/65/EU	Compliant
EU ELV Directive 2000/53/EC	Compliant
China RoHS 2 Directive MIIT Order No 32, 2016	No Restricted Materials Above Threshold
EU REACH Regulation (EC) No. 1907/2006	Current ECHA Candidate List: JUNE 2023 (235) Candidate List Declared Against: JUN 2020 (209) Does not contain REACH SVHC
Halogen Content	Low Halogen - Br, Cl, F, I < 900 ppm per homogenous material. Also BFR/CFR/PVC Free
Solder Process Capability	Not applicable for solder process capability

Product Compliance Disclaimer

This information is provided based on reasonable inquiry of our suppliers and represents our current actual knowledge based on the information they provided. This information is subject to change. The part numbers that TE has identified as EU RoHS compliant have a maximum concentration of 0.1% by weight in homogenous materials for lead, hexavalent chromium, mercury, PBB, PBDE, DBP, BBP, DEHP, DIBP, and 0.01% for cadmium, or qualify for an exemption to these limits as defined in the Annexes of Directive 2011/65/EU (RoHS2). Finished electrical and electronic equipment products will be CE marked as required by Directive 2011/65/EU. Components may not be CE marked. Additionally, the part



numbers that TE has identified as EU ELV compliant have a maximum concentration of 0.1% by weight in homogenous materials for lead, hexavalent chromium, and mercury, and 0.01% for cadmium, or qualify for an exemption to these limits as defined in the Annexes of Directive 2000/53/EC (ELV). Regarding the REACH Regulation, the information TE provides on SVHC in articles for this part number is based on the latest European Chemicals Agency (ECHA) 'Guidance on requirements for substances in articles' posted at this URL: <https://echa.europa.eu/guidance-documents/guidance-on-reach>

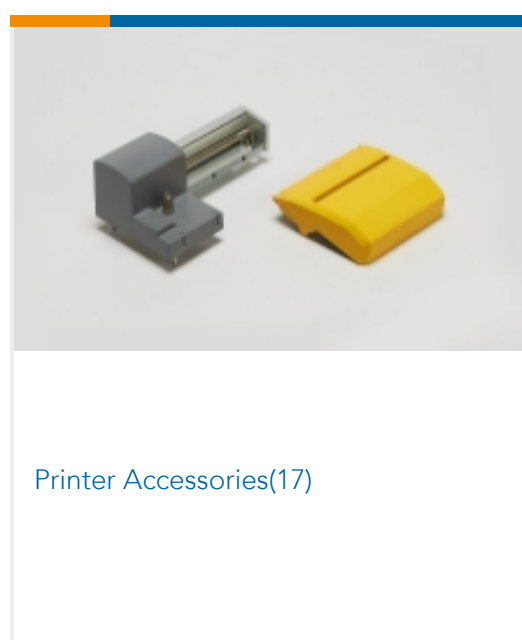
Compatible Parts



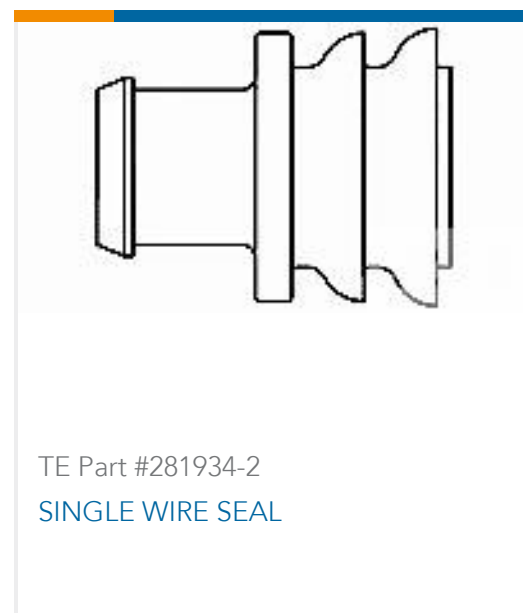
Also in the Series | T3212-Printer



Also in the Series | T3224-Printer



Customers Also Bought



Documents

CAD Files

3D PDF

3D

Customer View Model

[ENG_CVM_CVM_1-2186512-1_A.2d_dxf.zip](#)

English

Customer View Model

[ENG_CVM_CVM_1-2186512-1_A.3d_igs.zip](#)

English

Customer View Model

[ENG_CVM_CVM_1-2186512-1_A.3d_stp.zip](#)

English

By downloading the CAD file I accept and agree to the [Terms and Conditions](#) of use.

Datasheets & Catalog Pages

[T3212 AND T3224 THERMAL TRANSFER PRINTERS](#)

English

Product Specifications

[T3212 T3224 Printer Illustrated Parts List](#)

English

Agency Approvals

[Agency Approval Document](#)

English