

# ROX8J110R ✓ ACTIVE

Neohm | Neohm ROX

TE Internal #: 1-2176415-5

110  $\Omega$ , Metal Oxide Film, General Purpose Resistor, 5 %, 41 x 8.5 mm, 2 Termination, Box, 8 W,  $\pm 350$  ppm/ $^{\circ}\text{C}$ , Tinned Copper Leads Termination, Neohm ROX

[View on TE.com >](#)



Passive Components > Resistors > Through-Hole Resistors



Resistor Type: **General Purpose Resistor**

Passive Component Dimensions: **41 x 8.5 mm**

Number of Terminations: **2**

Packaging Method: **Box**

Passive Component Tolerance: **5 %**

## Features

### Product Type Features

Product Type	Fixed Resistor
Resistor Type	General Purpose Resistor
Element Type	Metal Oxide Film

### Configuration Features

Number of Resistors	1
---------------------	---

### Electrical Characteristics

Voltage Rating	750 V
Passive Component Tolerance	5 %
Resistance Class	Up to 1k $\Omega$
Resistance Value	110 $\Omega$
Power Rating	8 W

### Body Features

Passive Component Lead Type	Axial-Leaded
-----------------------------	--------------

### Termination Features

Number of Terminations	2
Passive Component Termination Material Type	Tinned Copper Leads

### Dimensions

Passive Component Dimensions	41 x 8.5 mm
------------------------------	-------------

### Usage Conditions

Operating Temperature Range	-55 – 155 $^{\circ}\text{C}$
Temperature Coefficient	$\pm 350$ ppm/ $^{\circ}\text{C}$

### Packaging Features

Packaging Method	Box
------------------	-----

## Product Compliance

[For compliance documentation, visit the product page on TE.com>](#)

EU RoHS Directive 2011/65/EU	Compliant
EU ELV Directive 2000/53/EC	Compliant
China RoHS 2 Directive MIIT Order No 32, 2016	No Restricted Materials Above Threshold
EU REACH Regulation (EC) No. 1907/2006	Current ECHA Candidate List: JUNE 2023 (235) Candidate List Declared Against: JUNE 2023 (235) Does not contain REACH SVHC
Halogen Content	Low Halogen - Br, Cl, F, I < 900 ppm per homogenous material. Also BFR/CFR/PVC Free
Solder Process Capability	Wave solder capable to 265 $^{\circ}\text{C}$

#### Product Compliance Disclaimer

This information is provided based on reasonable inquiry of our suppliers and represents our current actual knowledge based on the information they provided. This information is subject to change. The part numbers that TE has identified as EU RoHS compliant have a maximum concentration of 0.1% by weight in homogenous materials for lead, hexavalent chromium, mercury, PBB, PBDE, DBP, BBP, DEHP, DIBP, and 0.01% for cadmium, or qualify for an exemption to these limits as defined in the Annexes of Directive 2011/65/EU (RoHS2). Finished electrical and electronic equipment products will be CE marked as required by Directive 2011/65/EU. Components may not be CE marked. Additionally, the part numbers that TE has identified as EU ELV compliant have a maximum concentration of 0.1% by weight in homogenous materials for lead, hexavalent chromium, and mercury, and 0.01% for cadmium, or qualify for an exemption to these limits as defined in the Annexes of Directive 2000/53/EC (ELV). Regarding the REACH Regulation, the information TE provides on SVHC in articles for this part number is based on the latest European Chemicals Agency (ECHA) 'Guidance on requirements for substances in articles' posted at this URL: <https://echa.europa.eu/guidance-documents/guidance-on-reach>

## Compatible Parts




TE Part # 2-1625892-1  
3W SM M/OX 5% 1K0



TE Part # 4-1625886-1  
1W SM M/OX 5% 820K



TE Part # 6-1676123-7  
1/2W SM M/OX 5% 470R




TE Part # 1625881-2  
1W STD M/OX 2% 220R



TE Part # 1625893-5  
5W SM M/OX 5% 47K

Also in the Series | **Neohm ROX**



Through-Hole Resistors(798)

Customers Also Bought



TE Part #42899-2  
RING TONGUE 10-6 AWG TPBR



TE Part #160337-2  
RING TONGUE IS 18-14 0.295 X .940 TPBR



TE Part #YDTS26F23-35PAV001  
PLUG ASSY




TE Part #1050547-1  
2001 5032 00



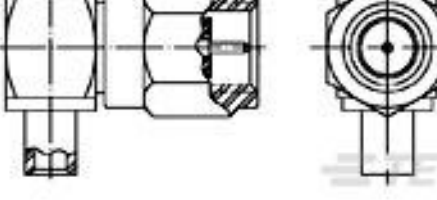
TE Part #227531-1  
SMA PLUG W/PASSIVATED BODY



TE Part #228583-1  
RT ANGLE PLUG, SERIES SMA



TE Part #1051032-1  
SMA BULKHEAD JACK 2004 8207 92



TE Part #1058993-1  
4007 7947 00



## Documents

### Product Drawings

[8W STD M/OX 5% 110R](#)

English

### CAD Files

[3D PDF](#)

3D

Customer View Model

[ENG\\_CVM\\_CVM\\_1-2176415-5\\_BA.2d\\_dxf.zip](#)

English

Customer View Model

[ENG\\_CVM\\_CVM\\_1-2176415-5\\_BA.3d\\_igs.zip](#)

English

Customer View Model

[ENG\\_CVM\\_CVM\\_1-2176415-5\\_BA.3d\\_stp.zip](#)

English

By downloading the CAD file I accept and agree to the [Terms and Conditions](#) of use.

### Datasheets & Catalog Pages

[Flame Proof Power Metal Oxide Film Resistors - Type ROX Series - Tyco Electronics Passives](#)

English