



CGS | CGS TJT

TE Internal #: 1-2176249-1

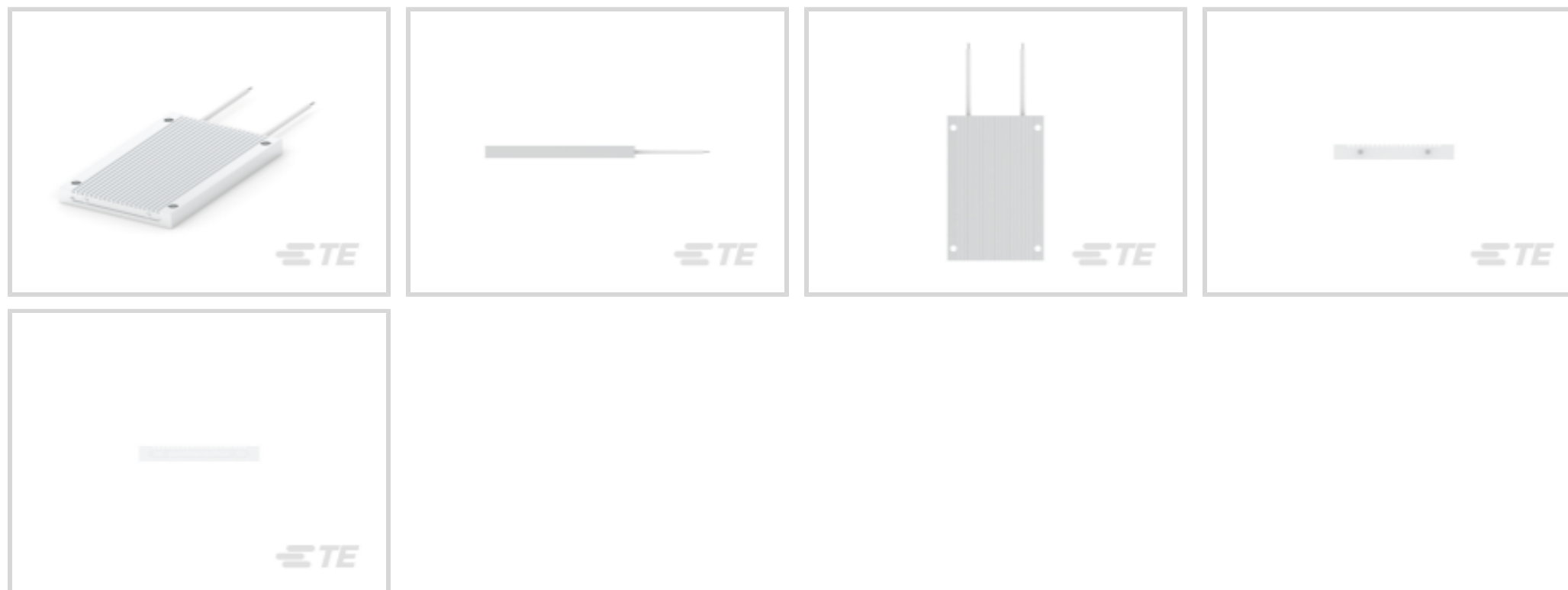
47 Ω, Wire Wound, Power Resistor, 210 x 80 x 10 mm, 2

Termination, Loose Piece - Box, 5 %, 300 W, ±260 ppm/°C, Flying

Leads Termination, CGS TJT

[View on TE.com >](#)

Passive Components > Resistors > Chassis Mount Resistors



Resistor Type: **Power Resistor**

Passive Component Dimensions: **210 x 80 x 10 mm**

Number of Terminations: **2**

Packaging Method: **Loose Piece - Box**

Passive Component Tolerance: **5 %**

Features

Product Type Features

| | |
|---------------|----------------|
| Resistor Type | Power Resistor |
| Element Type | Wire Wound |

Configuration Features

| | |
|---------------------|---|
| Number of Resistors | 1 |
|---------------------|---|

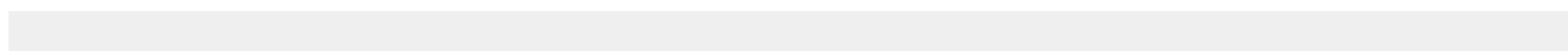
Electrical Characteristics

| | |
|-----------------------------|-----------|
| Passive Component Tolerance | 5 % |
| Resistance Class | Up to 1kΩ |
| Resistance Value | 47 Ω |
| Power Rating | 300 W |

Termination Features

| | |
|---|--------------|
| Number of Terminations | 2 |
| Chassis Mount Resistor Termination Type | Flying Leads |

Mechanical Attachment





| | |
|------------------------------------|---------------|
| Chassis Mount Resistor Mount Style | Chassis Mount |
|------------------------------------|---------------|

Dimensions

| | |
|------------------------------|------------------|
| Passive Component Dimensions | 210 x 80 x 10 mm |
|------------------------------|------------------|

Usage Conditions

| | |
|-----------------------------|-----------------------------|
| Operating Temperature Range | -25 – 250 $^{\circ}$ C |
| Temperature Coefficient | ± 260 ppm/ $^{\circ}$ C |

Packaging Features

| | |
|------------------|-------------------|
| Packaging Method | Loose Piece - Box |
|------------------|-------------------|

Product Compliance

[For compliance documentation, visit the product page on TE.com>](#)

| | |
|---|---|
| EU RoHS Directive 2011/65/EU | Compliant |
| EU ELV Directive 2000/53/EC | Compliant |
| China RoHS 2 Directive MIIT Order No 32, 2016 | No Restricted Materials Above Threshold |
| EU REACH Regulation (EC) No. 1907/2006 | Current ECHA Candidate List: JUNE 2023 (235) Candidate List Declared Against: JUNE 2023 (235) Does not contain REACH SVHC |
| Halogen Content | Low Halogen - Br, Cl, F, I < 900 ppm per homogenous material. Also BFR/CFR/PVC Free |
| Solder Process Capability | Hand solderable with lead free solder |

Product Compliance Disclaimer

This information is provided based on reasonable inquiry of our suppliers and represents our current actual knowledge based on the information they provided. This information is subject to change. The part numbers that TE has identified as EU RoHS compliant have a maximum concentration of 0.1% by weight in homogenous materials for lead, hexavalent chromium, mercury, PBB, PBDE, DBP, BBP, DEHP, DIBP, and 0.01% for cadmium, or qualify for an exemption to these limits as defined in the Annexes of Directive 2011/65/EU (RoHS2). Finished electrical and electronic equipment products will be CE marked as required by Directive 2011/65/EU. Components may not be CE marked. Additionally, the part numbers that TE has identified as EU ELV compliant have a maximum concentration of 0.1% by weight in homogenous materials for lead, hexavalent chromium, and mercury, and 0.01% for cadmium, or qualify for an exemption to these limits as defined in the Annexes of Directive 2000/53/EC (ELV). Regarding the REACH Regulation, the information TE provides on SVHC in articles for this part number is based on the latest European Chemicals Agency (ECHA) 'Guidance on requirements for substances in articles' posted at this URL: <https://echa.europa.eu/guidance-documents/guidance-on-reach>

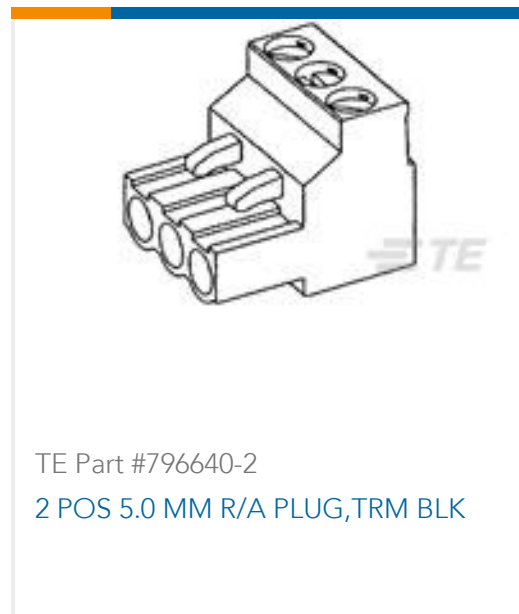
Compatible Parts



Also in the Series | CGS TJT



Customers Also Bought



Documents

Product Drawings

TJT 300W 47R 5%

English

Datasheets & Catalog Pages

ALUMINIUM ENCLOSED POWER RESISTORS - Type TJT Series

English

TJT30047RJ

47 Ω , Wire Wound, Power Resistor, 210 x 80 x 10 mm, 2 Termination, Loose Piece -
Box, 5 %, 300 W, ± 260 ppm/ $^{\circ}$ C, Flying Leads Termination, CGS TJT



[TJT-0715](#)

English