

1-215919-0 ✓ ACTIVE

## AMP-LATCH

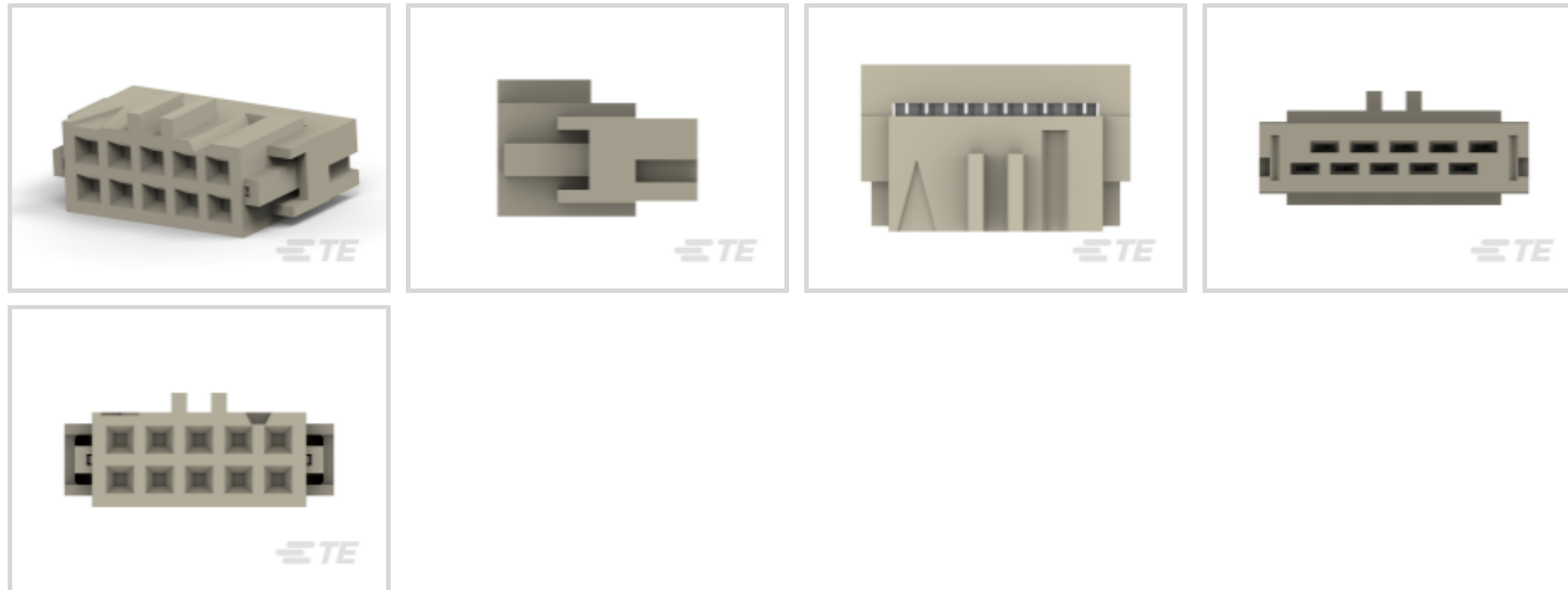
TE Internal #: 1-215919-0

Ribbon Cable Connectors, Wire-to-Board, 10 Position, 2.54 mm [.1 in] Centerline, 2 Row, Receptacle, Polarization Mating Alignment Type, Wire & Cable

[View on TE.com >](#)



Connectors > PCB Connectors > Wire-to-Board Connectors > FFC, FPC & Ribbon Connectors > Ribbon Cable Connectors



Connector System: **Wire-to-Board**

Number of Positions: **10**

Centerline (Pitch): **2.54 mm [.1 in]**

Row-to-Row Spacing: **2.54 mm [.1 in]**

Number of Rows: **2**

### Features

#### Product Type Features

Connector Product Type	Connector Assembly
Connector System	Wire-to-Board
Connector & Housing Type	Receptacle
Connector & Contact Terminates To	Wire & Cable

#### Configuration Features

Number of Positions	10
Number of Rows	2

#### Body Features

Primary Product Color	Gray
-----------------------	------

#### Contact Features

Mating Square Post Dimension	.64 mm[.025 in]
Mating Pin Diameter	.64 mm[.025 in]
Wire Contact Termination Area Plating Thickness	2.54 $\mu$ m[100 $\mu$ in]
Wire Contact Termination Area Plating Material	Tin



	8 µin
Contact Mating Area Plating Material	Gold
Contact Current Rating (Max)	1 A

#### Termination Features

Termination Method to Wire & Cable	Insulation Displacement (IDC)
------------------------------------	-------------------------------

#### Mechanical Attachment

Mating Alignment Type	Polarization
Mating Retention	Without
Connector Mounting Type	Cable Mount (Free-Hanging)

#### Housing Features

Centerline (Pitch)	2.54 mm [.1 in]
--------------------	-----------------

#### Dimensions

Row-to-Row Spacing	2.54 mm [.1 in]
--------------------	-----------------

#### Usage Conditions

Operating Temperature Range	-65 – 105 °C [-85 – 221 °F]
-----------------------------	-----------------------------

#### Operation/Application

Circuit Application	Signal
---------------------	--------

### Product Compliance

[For compliance documentation, visit the product page on TE.com>](#)

EU RoHS Directive 2011/65/EU	Compliant
EU ELV Directive 2000/53/EC	Compliant
China RoHS 2 Directive MIIT Order No 32, 2016	No Restricted Materials Above Threshold
EU REACH Regulation (EC) No. 1907/2006	Current ECHA Candidate List: JUNE 2023 (235) Candidate List Declared Against: JUNE 2023 (235) Does not contain REACH SVHC
Halogen Content	Not Low Halogen - contains Br or Cl > 900 ppm.
Solder Process Capability	Not applicable for solder process capability

#### Product Compliance Disclaimer

This information is provided based on reasonable inquiry of our suppliers and represents our current actual knowledge based on the information they provided. This information is subject to change. The part numbers that TE has identified as

EU RoHS compliant have a maximum concentration of 0.1% by weight in homogenous materials for lead, hexavalent chromium, mercury, PBB, PBDE, DBP, BBP, DEHP, DIBP, and 0.01% for cadmium, or qualify for an exemption to these limits as defined in the Annexes of Directive 2011/65/EU (RoHS2). Finished electrical and electronic equipment products will be CE marked as required by Directive 2011/65/EU. Components may not be CE marked. Additionally, the part numbers that TE has identified as EU ELV compliant have a maximum concentration of 0.1% by weight in homogenous materials for lead, hexavalent chromium, and mercury, and 0.01% for cadmium, or qualify for an exemption to these limits as defined in the Annexes of Directive 2000/53/EC (ELV). Regarding the REACH Regulation, the information TE provides on SVHC in articles for this part number is based on the latest European Chemicals Agency (ECHA) 'Guidance on requirements for substances in articles' posted at this URL: <https://echa.europa.eu/guidance-documents/guidance-on-reach>

## Compatible Parts



TE Part # 1658621-1  
10 NOVO MIL/CTR 15DP, LEAD FREE



TE Part # 5104338-1  
A/L LOW PRO HDR 10P VERT HT

## Customers Also Bought



TE Part # 1658643-1  
HDP-20, RCPT, SIZE 1, 9 POSN, CLI



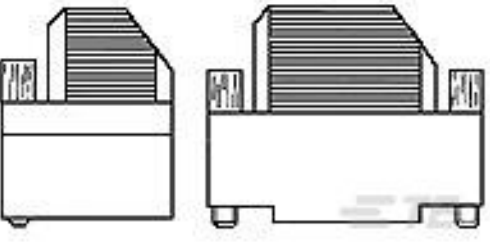
TE Part # 321233  
TERMINAL, PIDG SPD 16-14 8



TE Part # 1-350766-2  
03P UMNL V0 PLUG HSG RED



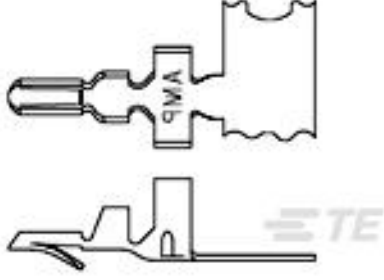
TE Part # 350537-6  
UMNL SOK 20-14 .0125 AUNI/PHBZ



TE Part # 6-1393738-1  
V42254A6004G125=SUB D GEHAEUSE



TE Part # 1-160301-6  
250 FASTON, REC., 10-12 AWG, TPBR



TE Part # 3-640108-1  
AMP-IN, MINI 26-22 008PTLPHBZ



TE Part # 1054869-1  
2084 0000 02



TE Part # 350707-7  
UMNL SPLIT PIN 20-14 AUBR L/P



TE Part # 1-722979-2  
WIRE, CRIMPER



## Documents

### Product Drawings

[AMP-LATCH 15.2 HIGH TAPE](#)

English

### CAD Files

Customer View Model

[ENG\\_CVM\\_CVM\\_1-215919-0\\_E.2d\\_dxf.zip](#)

English

3D PDF

3D

Customer View Model

[ENG\\_CVM\\_CVM\\_1-215919-0\\_E.3d\\_igs.zip](#)

English

Customer View Model

[ENG\\_CVM\\_CVM\\_1-215919-0\\_E.3d\\_stp.zip](#)

English

By downloading the CAD file I accept and agree to the [Terms and Conditions](#) of use.

### Product Specifications

[Application of AMP-LATCH, Ribbon Cable Connectors](#)

English

[Application Specification](#)

English