

1-2133341-1 ✓ ACTIVE



Positive Lock | Mark I, Positive Lock 250

TE Internal #: 1-2133341-1

Crimp Terminal Housings, Receptacle, Receptacle, 1 Position,  
Straight, UL 94V-0, Natural, Polyamide, Mating Alignment, Positive  
Lock 250

[View on TE.com >](#)

Terminals & Splices > Terminal Housings, Insulation Sleeves & Blocks > Crimp Terminal Housings



Terminal Type: **Receptacle**

Connector & Housing Type: **Receptacle**

Number of Positions: **1**

Terminal Orientation: **Straight**

UL Flammability Rating: **UL 94V-0**

## Features

### Product Type Features

Sealable	No
Connector & Housing Type	Receptacle

### Configuration Features

Number of Positions	1
---------------------	---

### Body Features

Primary Product Color	Natural
-----------------------	---------

### Contact Features

Terminal Type	Receptacle
Terminal Orientation	Straight
Contact Mating Retention	Without

### Mechanical Attachment

Mating Alignment	With
Connector Mounting Type	Cable Mount (Free-Hanging)



### Housing Features

Housing Material	Polyamide
------------------	-----------

### Usage Conditions

Operating Temperature Range	-40 – 105 °C[-40 – 221 °F]
-----------------------------	----------------------------

### Industry Standards

UL Flammability Rating	UL 94V-0
------------------------	----------

### Packaging Features

Packaging Method	Carton
------------------	--------

## Product Compliance

[For compliance documentation, visit the product page on TE.com>](#)

EU RoHS Directive 2011/65/EU	Compliant
EU ELV Directive 2000/53/EC	Compliant
China RoHS 2 Directive MIIT Order No 32, 2016	No Restricted Materials Above Threshold
EU REACH Regulation (EC) No. 1907/2006	Current ECHA Candidate List: JUNE 2023 (235) Candidate List Declared Against: JUNE 2023 (235) Does not contain REACH SVHC
Halogen Content	Low Halogen - Br, Cl, F, I < 900 ppm per homogenous material. Also BFR/CFR/PVC Free
Solder Process Capability	Not applicable for solder process capability

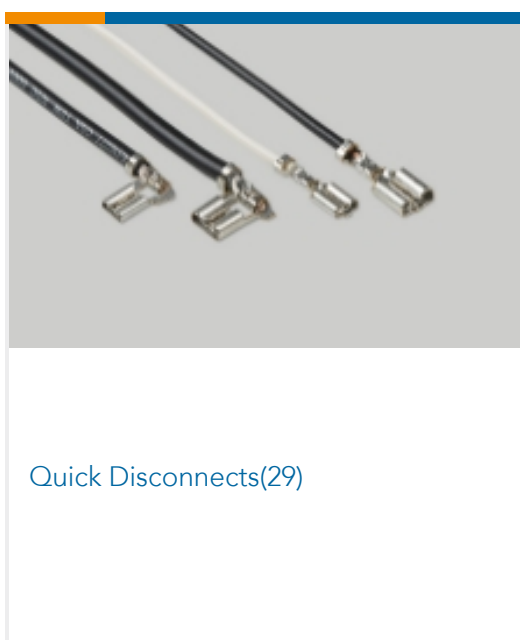
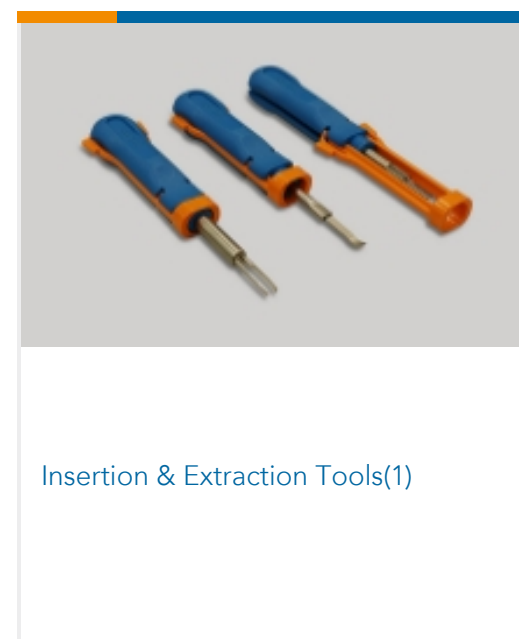
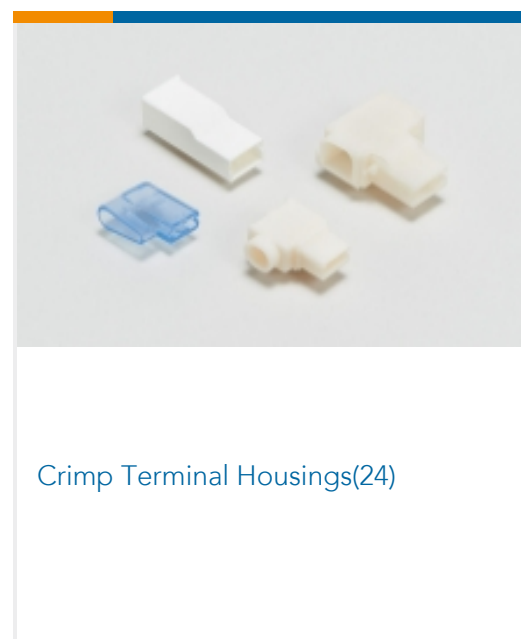
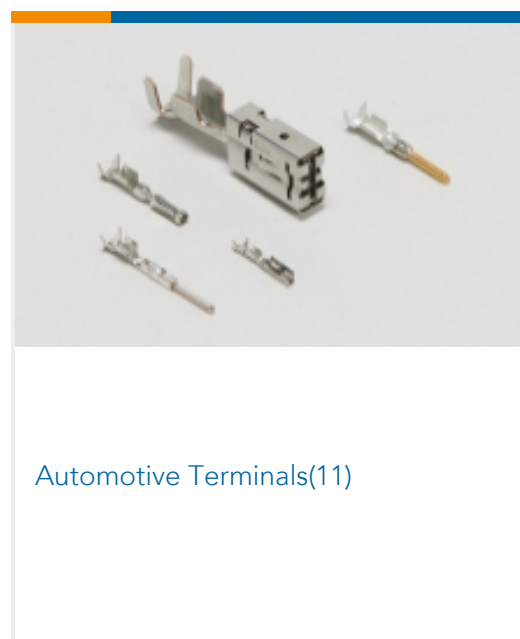
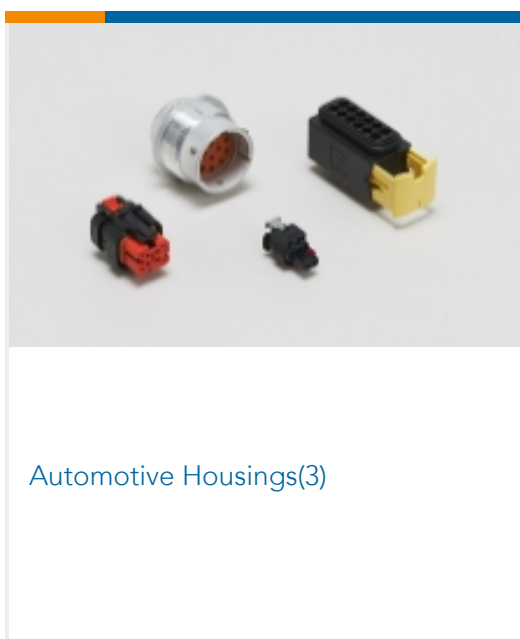
#### Product Compliance Disclaimer

This information is provided based on reasonable inquiry of our suppliers and represents our current actual knowledge based on the information they provided. This information is subject to change. The part numbers that TE has identified as EU RoHS compliant have a maximum concentration of 0.1% by weight in homogenous materials for lead, hexavalent chromium, mercury, PBB, PBDE, DBP, BBP, DEHP, DIBP, and 0.01% for cadmium, or qualify for an exemption to these limits as defined in the Annexes of Directive 2011/65/EU (RoHS2). Finished electrical and electronic equipment products will be CE marked as required by Directive 2011/65/EU. Components may not be CE marked. Additionally, the part numbers that TE has identified as EU ELV compliant have a maximum concentration of 0.1% by weight in homogenous materials for lead, hexavalent chromium, and mercury, and 0.01% for cadmium, or qualify for an exemption to these limits as defined in the Annexes of Directive 2000/53/EC (ELV). Regarding the REACH Regulation, the information TE provides on SVHC in articles for this part number is based on the latest European Chemicals Agency (ECHA) 'Guidance on requirements for substances in articles' posted at this URL: <https://echa.europa.eu/guidance-documents/guidance-on-reach>

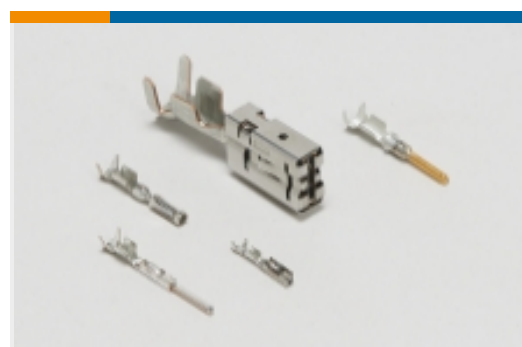
## Compatible Parts



Also in the Series | **Mark I**



Also in the Series | **Positive Lock 250**



Automotive Terminals(1)



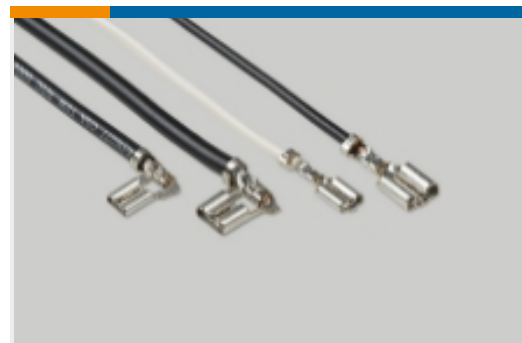
Crimp Terminal Housings(193)



Insertion & Extraction Tools(3)



Insulation Boots & Sleeves(4)

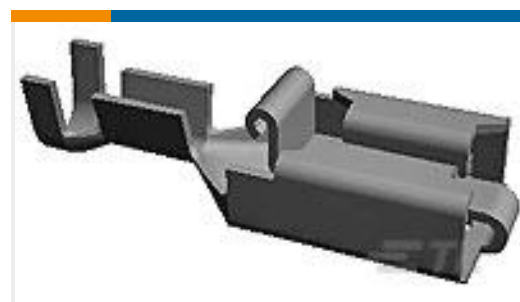


Quick Disconnects(186)

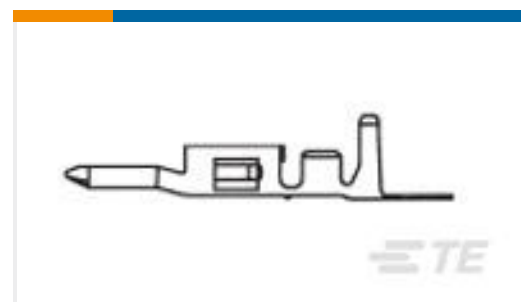
## Customers Also Bought



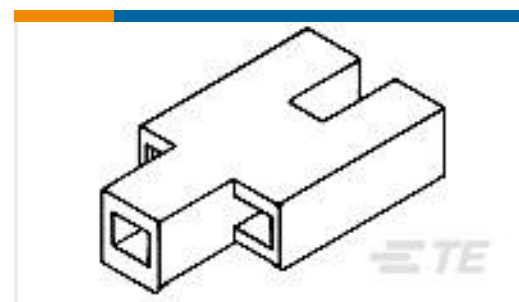
TE Part #177918-1  
POWER DBL LOCK PLATE 2P



TE Part #880645-6  
PL REC 1.0-2.5MM2 0.40 X 52.32 PTPBR



TE Part #794955-1  
VAL-U-LOK PIN BR SN 22-18AWG



TE Part #880631-5  
CLUSTER BLOCK HSG .090 DIA



TE Part #626378-1  
250 FASTON TAB 18-14 AWG BR



TE Part #444335-3  
250 FASTON REC 16-14 AWG BR



TE Part #626581-1  
PL 250 REC 0.5-1.5 MM2 0.35X 26.54 BR



TE Part #881339-2  
SLEEVE FOR .250 SRS FASTON TAB BR

## Documents

### Product Drawings

PL MK1 RECEPTACLE NATURAL 6.6 PA

English

### CAD Files

3D PDF

3D

Customer View Model

ENG\_CVM\_CVM\_1-2133341-1\_A\_c-1-2133341-1-a.2d\_dxf.zip



English

Customer View Model

[ENG\\_CVM\\_CVM\\_1-2133341-1\\_A\\_c-1-2133341-1-a.3d\\_igs.zip](#)

English

Customer View Model

[ENG\\_CVM\\_CVM\\_1-2133341-1\\_A\\_c-1-2133341-1-a.3d\\_stp.zip](#)

English

By downloading the CAD file I accept and agree to the [Terms and Conditions](#) of use.

## Product Environmental Compliance

[Product Compliance](#)

English

[Product Compliance](#)

English