

1-212565-0 ✓ ACTIVE

**AMPLIMITE**

TE Internal #: 1-212565-0

D-Sub Connector Contacts, Pin, Contact Size Size 20, Copper Alloy, Gold, Printed Circuit Board, 5 A, Signal, -67 – 257 °F [-55 – 125 °C]

[View on TE.com >](#)



Connectors > D-Shaped Connectors > D-Sub Connector Contacts



Contact Type: **Pin**

Contact Size: **Size 20**

Contact Base Material: **Copper Alloy**

Contact Mating Area Plating Material: **Gold**

Connector & Contact Terminates To: **Printed Circuit Board**

**Features**

**Product Type Features**

Terminal Configuration	Long
Connector & Contact Terminates To	Printed Circuit Board

**Contact Features**

Contact Underplating Material	Copper
Contact Type	Pin
Contact Size	Size 20
Contact Base Material	Copper Alloy
Contact Mating Area Plating Material	Gold
Contact Current Rating (Max)	5 A

**Termination Features**

Round Termination Post & Tail Diameter	.02 mm[.51 in]
Termination Post & Tail Length	.33 mm[8.38 in]

**Usage Conditions**

Operating Temperature Range	-55 – 125 °C[-67 – 257 °F]
-----------------------------	----------------------------

**Operation/Application**

Circuit Application	Signal
---------------------	--------

**Packaging Features**

Packaging Quantity	1000
--------------------	------

Packaging Method

Loose Piece

## Product Compliance

For compliance documentation, visit the product page on TE.com>

EU RoHS Directive 2011/65/EU

Compliant with Exemptions

EU ELV Directive 2000/53/EC

Compliant with Exemptions

China RoHS 2 Directive MIIT Order No 32, 2016

Restricted Materials Above Threshold

EU REACH Regulation (EC) No. 1907/2006

Current ECHA Candidate List: JUNE 2023 (235)

Candidate List Declared Against: JUNE 2023 (235)

SVHC &gt; Threshold:

Pb (.6% in Component Part)

**Article Safe Usage Statements:**

Do not eat, drink or smoke when using this product. Wash thoroughly after handling. Recycle if possible and dispose of the article by following all applicable governmental regulations relevant to your geographic location.

Halogen Content

Low Halogen - Br, Cl, F, I < 900 ppm per homogenous material. Also BFR/CFR/PVC Free

Solder Process Capability

Pin-in-Paste capable to 260°C

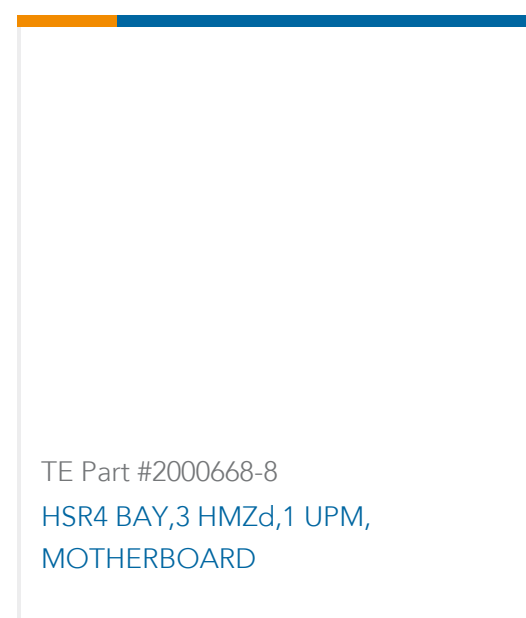
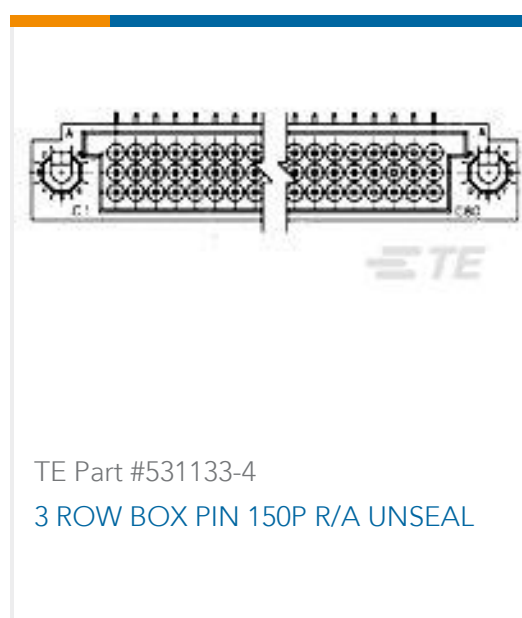
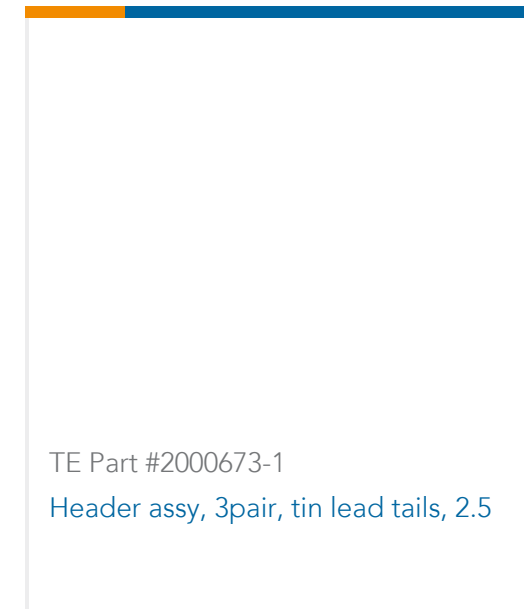
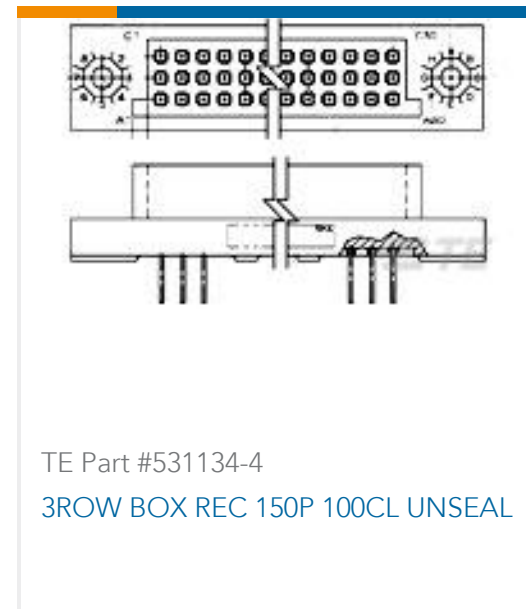
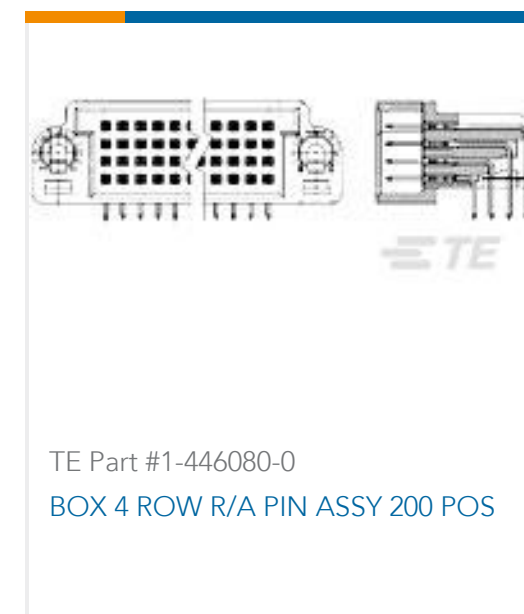
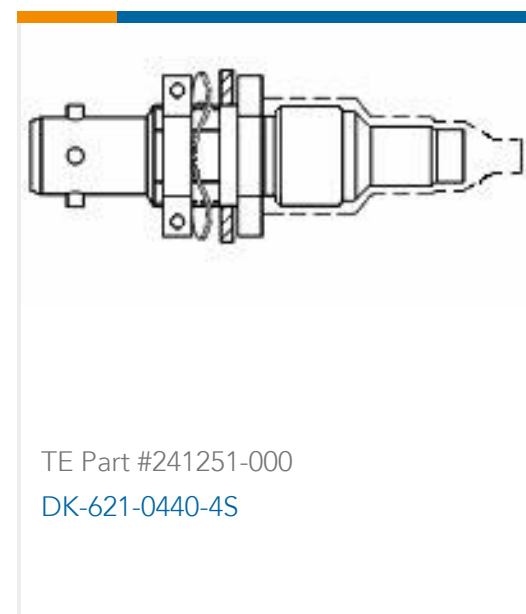
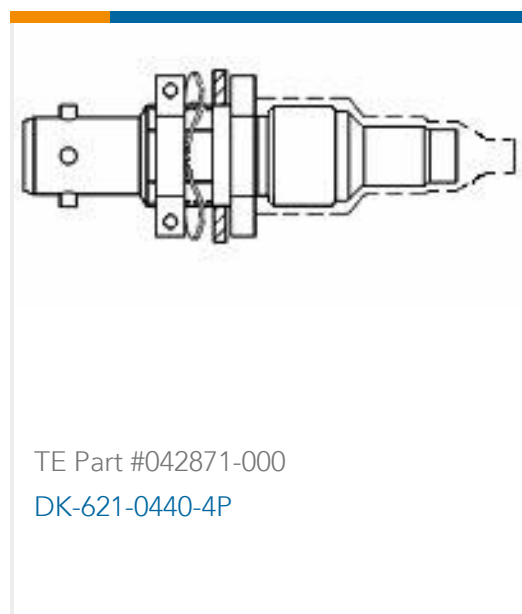
### Product Compliance Disclaimer

This information is provided based on reasonable inquiry of our suppliers and represents our current actual knowledge based on the information they provided. This information is subject to change. The part numbers that TE has identified as EU RoHS compliant have a maximum concentration of 0.1% by weight in homogenous materials for lead, hexavalent chromium, mercury, PBB, PBDE, DBP, BBP, DEHP, DIBP, and 0.01% for cadmium, or qualify for an exemption to these limits as defined in the Annexes of Directive 2011/65/EU (RoHS2). Finished electrical and electronic equipment products will be CE marked as required by Directive 2011/65/EU. Components may not be CE marked. Additionally, the part numbers that TE has identified as EU ELV compliant have a maximum concentration of 0.1% by weight in homogenous materials for lead, hexavalent chromium, and mercury, and 0.01% for cadmium, or qualify for an exemption to these limits as defined in the Annexes of Directive 2000/53/EC (ELV). Regarding the REACH Regulation, the information TE provides on SVHC in articles for this part number is based on the latest European Chemicals Agency (ECHA) 'Guidance on requirements for substances in articles' posted at this URL: <https://echa.europa.eu/guidance-documents/guidance-on-reach>

## Compatible Parts



## Customers Also Bought



## Documents

### Product Drawings

AMPLIMITE,PIN CONT,SZ 20,AU PLTD

English

### CAD Files

3D PDF

3D

Customer View Model

[ENG\\_CVM\\_CVM\\_1-212565-0\\_Z.2d\\_dxf.zip](#)

English

Customer View Model

[ENG\\_CVM\\_CVM\\_1-212565-0\\_Z.3d\\_igs.zip](#)

English

Customer View Model

[ENG\\_CVM\\_CVM\\_1-212565-0\\_Z.3d\\_stp.zip](#)

English

By downloading the CAD file I accept and agree to the [Terms and Conditions](#) of use.

### Product Specifications



## Application Specification

English