

1-2112162-1 ✓ ACTIVE

AMP | LEAVYSEAL

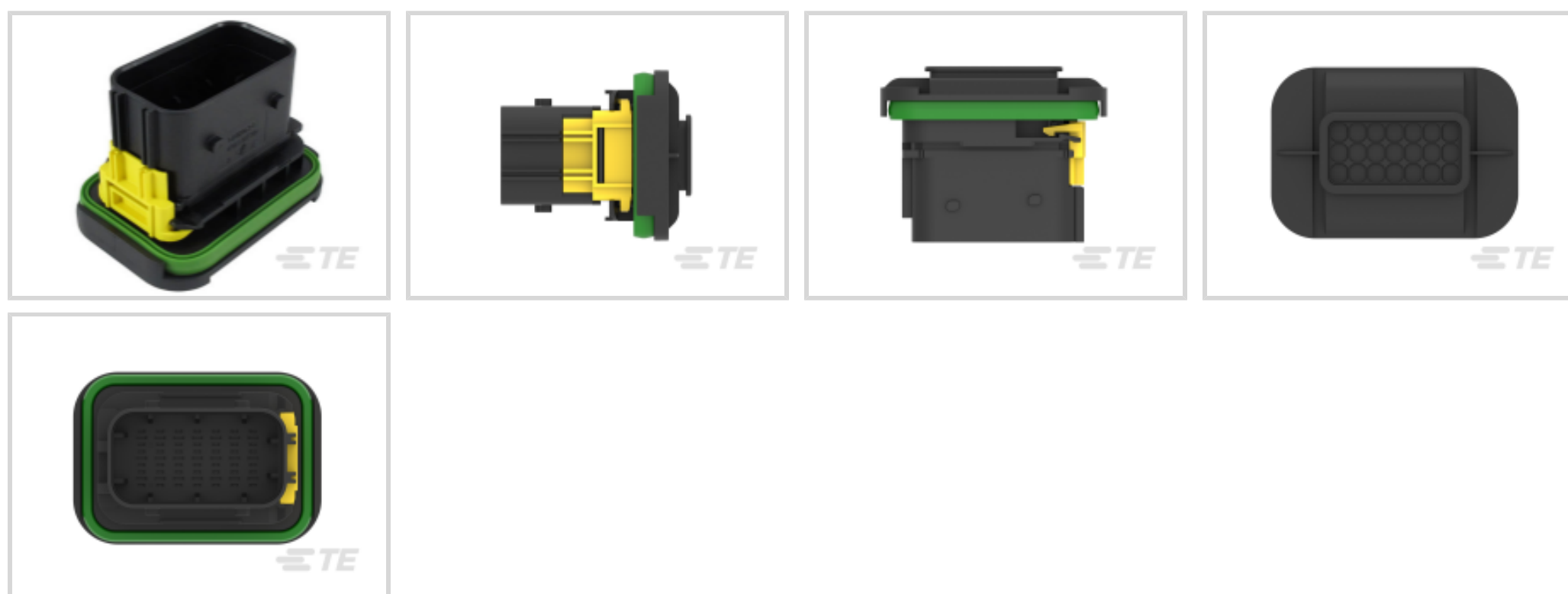
TE Internal #: 1-2112162-1

Housing for Male Terminals, Wire-to-Wire, 21 Position, .197 in [5 mm] Centerline, Sealable, Black, Signal, Panel Mount, LEAVYSEAL

[View on TE.com >](#)



Connectors > Automotive Connectors > Automotive Housings > LEAVYSEAL Housings



Connector System: **Wire-to-Wire**

Number of Positions: **21**

Connector & Housing Type: **Housing for Male Terminals**

Centerline (Pitch): **5 mm [ .197 in ]**

Sealable: **Yes**

[All LEAVYSEAL Housings \(64\)](#)

## Features

### Product Type Features

Mixed & Hybrid Connector	No
Connector Shape	Rectangular
Connector System	Wire-to-Wire
Connector & Housing Type	Housing for Male Terminals
Sealable	Yes
Primary Locking Feature	On the Terminal

### Configuration Features

Number of Positions	21
Number of Rows	3

### Electrical Characteristics

Operating Voltage	28 VDC
Nominal Voltage Architecture	12 V, 24 V

### Body Features



Cable Exit Angle	90°
Primary Product Color	Black
Connector & Keying Code	A

### Contact Features

Contact Size	2.8mm
Contact Type	Tab
Mating Tab Width	2.8 mm[.11 in]
Contact Current Rating (Max)	40 A

### Mechanical Attachment

Terminal Position Assurance	Yes
Strain Relief	Add By Accessory
Mating Alignment Type	Keyed
Mating Alignment	With
Connector Mounting Type	Panel Mount

### Housing Features

Housing Material	PBT GF
Centerline (Pitch)	5 mm[.197 in]

### Dimensions

Connector Height	46.1 mm[1.815 in]
Product Width	51.55 mm[2.03 in]
Product Length	66.6 mm[2.622 in]
Row-to-Row Spacing	6 mm[.236 in]

### Usage Conditions

Operating Temperature (Max)	70 °C, 75 °C, 80 °C, 85 °C, 90 °C, 100 °C, 105 °C, 110 °C, 120 °C[158 °F][167 °F][176 °F][185 °F][194 °F][212 °F][221 °F][230 °F][248 °F]
Operating Temperature Range	-40 – 120 °C[-40 – 248 °F]

### Operation/Application

Circuit Application	Signal
---------------------	--------

### Industry Standards

Degree of Protection	IP67, IP69K
UL Flammability Rating	UL 94HB



### Packaging Features

Packaging Quantity	96
Packaging Method	Box

### Other

Serviceable	Yes
Connector Position Assurance Capable	No

### Product Compliance


[For compliance documentation, visit the product page on TE.com>](#)

EU RoHS Directive 2011/65/EU	Compliant
EU ELV Directive 2000/53/EC	Compliant
China RoHS 2 Directive MIIT Order No 32, 2016	No Restricted Materials Above Threshold
EU REACH Regulation (EC) No. 1907/2006	Current ECHA Candidate List: JUNE 2023 (235) Candidate List Declared Against: JAN 2023 (233) Does not contain REACH SVHC
Halogen Content	Not Low Halogen - contains Br or Cl > 900 ppm.
Solder Process Capability	Not applicable for solder process capability

#### Product Compliance Disclaimer

This information is provided based on reasonable inquiry of our suppliers and represents our current actual knowledge based on the information they provided. This information is subject to change. The part numbers that TE has identified as EU RoHS compliant have a maximum concentration of 0.1% by weight in homogenous materials for lead, hexavalent chromium, mercury, PBB, PBDE, DBP, BBP, DEHP, DIBP, and 0.01% for cadmium, or qualify for an exemption to these limits as defined in the Annexes of Directive 2011/65/EU (RoHS2). Finished electrical and electronic equipment products will be CE marked as required by Directive 2011/65/EU. Components may not be CE marked. Additionally, the part numbers that TE has identified as EU ELV compliant have a maximum concentration of 0.1% by weight in homogenous materials for lead, hexavalent chromium, and mercury, and 0.01% for cadmium, or qualify for an exemption to these limits as defined in the Annexes of Directive 2000/53/EC (ELV). Regarding the REACH Regulation, the information TE provides on SVHC in articles for this part number is based on the latest European Chemicals Agency (ECHA) 'Guidance on requirements for substances in articles' posted at this URL: <https://echa.europa.eu/guidance-documents/guidance-on-reach>

### Compatible Parts

TE Part # CAT-L489-SL34  
LEAVYSEAL Locking Slides




TE Part # 1-1579007-6  
EXTRACTION TOOL



TE Part # 828905-1  
SINGLE-WIRE-SEAL(5MM HOLE)



TE Part # CAT-L489-B128  
LEAVYSEAL Backshells



TE Part # CAT-L489-CH8172  
LEAVYSEAL Housings



TE Part # CAT-T4827-T273  
TIMER, RECEPTACLE AND TAB



TE Part # 828904-1  
SINGLE WIRE SEAL FOR J.P.T.CON




TE Part # 1-2333508-1  
AMP MCP 2.8 SOCKET HSG 21 POS SEALED


Also in the Series | LEAVYSEAL




Automotive Connector Caps & Covers (17)



Automotive Housings(79)



Insertion & Extraction Tools(5)



Other Automotive Connector Accessories(15)



PCB Headers & Receptacles(16)

Customers Also Bought



TE Part #7-1452653-3  
MCON 1.2 LL REC SRC AG



TE Part #1-2137336-1  
36 POS PLUG ASSEMBLY



TE Part #1-2208686-1  
21POS,AMP MCP2.8,REC HSG,ASSY



TE Part #2098557-4  
2POS, MCON 1.2 CB REC 2p TL SEALED





## Documents

### Product Drawings

21POS, TAB 2.8X0.8, TAB HSG, SEALED ASSY

English

### CAD Files

3D PDF

3D

Customer View Model

[ENG\\_CVM\\_CVM\\_1-2112162-1\\_D.2d\\_dxf.zip](#)

English

Customer View Model

[ENG\\_CVM\\_CVM\\_1-2112162-1\\_D.3d\\_igs.zip](#)

English

Customer View Model

[ENG\\_CVM\\_CVM\\_1-2112162-1\\_D.3d\\_stp.zip](#)

English

By downloading the CAD file I accept and agree to the [Terms and Conditions](#) of use.

### Datasheets & Catalog Pages

ICT Terminals and Connectors Catalogue

English

[CONNECTOR SELECTOR](#)

English

### Product Specifications

Application Specification

German

1-2112162-1

Housing for Male Terminals, Wire-to-Wire, 21 Position, .197 in [5 mm] Centerline,  
Sealable, Black, Signal, Panel Mount, LEAVYSEAL

