

1-2103124-5 ✓ ACTIVE



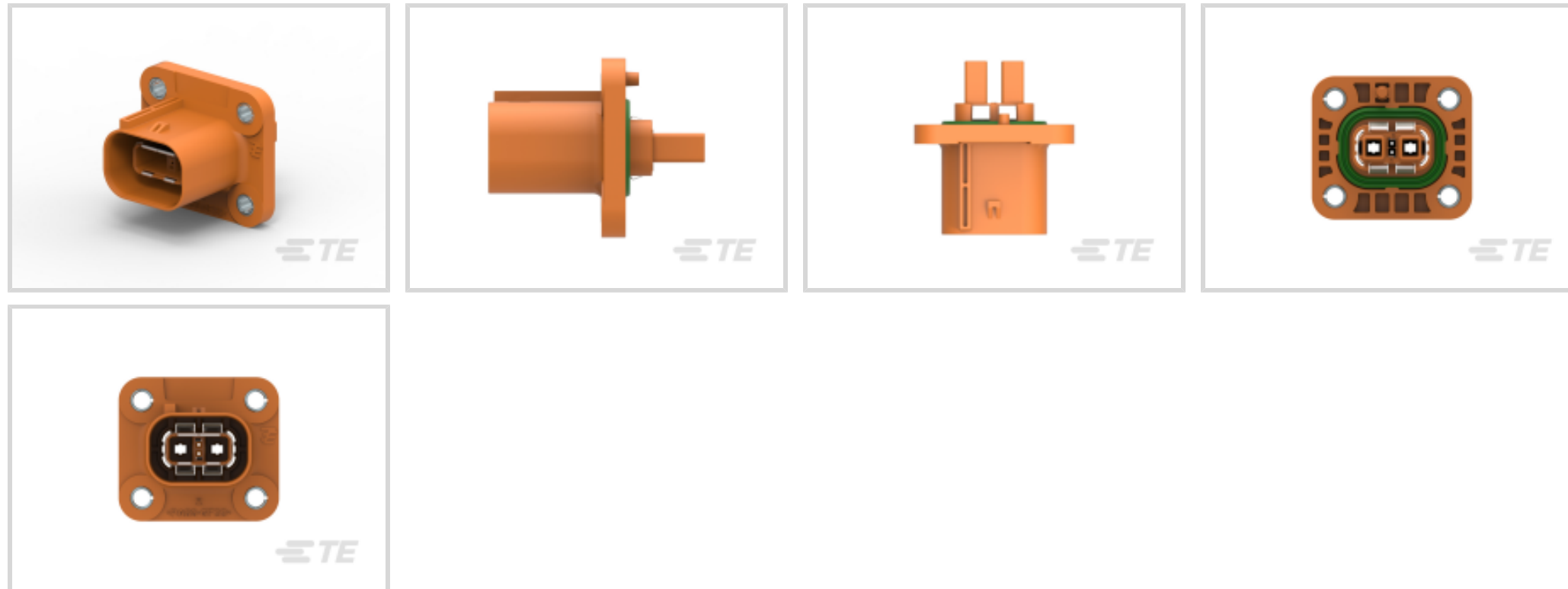
HVA 280

TE Internal #: 1-2103124-5

PCB Mount Header, Vertical, Wire-to-Device, 4 Position, 10.4 mm [.409 in] Centerline, Fully Shrouded, Silver, Through Hole - Press-Fit, HVA 280

[View on TE.com >](#)

Connectors > PCB Connectors > PCB Headers & Receptacles > Press-Fit & SMT Header



Connector System: **Wire-to-Device**

Number of Positions: **4**

Centerline (Pitch): **10.4 mm [.409 in]**

Sealable: **Yes**

PCB Mount Orientation: **Vertical**

[All Press-Fit & SMT Header \(32\)](#)

Features

Product Type Features

Mixed & Hybrid Header	Yes
Connector Shape	Rectangular
PCB Connector Assembly Type	PCB Mount Header
Header Type	Fully Shrouded
Connector System	Wire-to-Device
Sealable	Yes
Connector & Contact Terminates To	Printed Circuit Board

Configuration Features

Number of Sections	2
Number of Signal Positions	2
Number of Positions	4
PCB Mount Orientation	Vertical
Number of Rows	1, 2



Electrical Characteristics

Voltage Rating (Max)	600 VDC
----------------------	---------

Body Features

Primary Product Color	Orange
Connector & Keying Code	E

Contact Features

Contact Type	Tab
Mating Tab Width	2.8 mm[.11 in]
Mating Tab Thickness	.8 mm[.031 in]
Contact Mating Area Plating Material	Silver

Termination Features

Termination Method to Printed Circuit Board	Through Hole - Press-Fit
---	--------------------------

Mechanical Attachment

Mounting Holes	With
Mating Retention	With
Mating Alignment	With
PCB Mount Alignment	Without
Panel Mount Feature	Without
Mating Retention Type	Locking Interface

Housing Features

Centerline (Pitch)	10.4 mm[.409 in]
--------------------	------------------

Dimensions

Connector Length	45.4 mm[1.78 in]
Connector Width	40.6 mm[1.59 in]

Usage Conditions

Operating Temperature (Max)	65 °C, 70 °C, 75 °C, 80 °C, 85 °C, 90 °C, 100 °C, 105 °C, 110 °C, 120 °C, 125 °C, 130 °C, 140 °C[149 °F][158 °F][167 °F][176 °F][185 °F][194 °F][212 °F][221 °F][230 °F][248 °F][257 °F][266 °F][284 °F]
Operating Temperature Range	-40 – 140 °C[-40 – 284 °F]

Operation/Application

Shielded	Yes
----------	-----



Circuit Application

Signal

Packaging Features

Packaging Type

Package

Packaging Quantity

1

Product Compliance

[For compliance documentation, visit the product page on TE.com>](#)

EU RoHS Directive 2011/65/EU

Compliant

EU ELV Directive 2000/53/EC

Compliant

China RoHS 2 Directive MIIT Order No 32, 2016

No Restricted Materials Above Threshold

EU REACH Regulation (EC) No. 1907/2006

Current ECHA Candidate List: JUNE 2023 (235)
 Candidate List Declared Against: JUNE 2023 (235)
 SVHC > Threshold:
 Octamethylcyclotetrasiloxane (D4) (.5% in Component Part)
 Dodecamethylcyclohexasiloxane (D6) (.5% in Component Part)
 Decamethylcyclopentasiloxane (D5) (.5% in Component Part)

Article Safe Usage Statements:
 Wash thoroughly after handling. Recycle if possible and dispose of the article by following all applicable governmental regulations relevant to your geographic location.

Halogen Content

Low Halogen - Br, Cl, F, I < 900 ppm per homogenous material. Also BFR/CFR/PVC Free

Solder Process Capability

Not reviewed for solder process capability

Product Compliance Disclaimer

This information is provided based on reasonable inquiry of our suppliers and represents our current actual knowledge based on the information they provided. This information is subject to change. The part numbers that TE has identified as EU RoHS compliant have a maximum concentration of 0.1% by weight in homogenous materials for lead, hexavalent chromium, mercury, PBB, PBDE, DBP, BBP, DEHP, DIBP, and 0.01% for cadmium, or qualify for an exemption to these limits as defined in the Annexes of Directive 2011/65/EU (RoHS2). Finished electrical and electronic equipment products will be CE marked as required by Directive 2011/65/EU. Components may not be CE marked. Additionally, the part numbers that TE has identified as EU ELV compliant have a maximum concentration of 0.1% by weight in homogenous materials for lead, hexavalent chromium, and mercury, and 0.01% for cadmium, or qualify for an exemption to these limits as defined in the Annexes of Directive 2000/53/EC (ELV). Regarding the REACH Regulation, the information TE provides on SVHC in articles for this part number is based on the latest European Chemicals Agency (ECHA) 'Guidance on requirements for substances in articles' posted at this URL: <https://echa.europa.eu/guidance-documents/guidance-on-reach>

Also in the Series | [HVA 280](#)



Automotive Connector Caps & Covers (5)



Automotive Connector EMC Shielding (15)



Automotive Housings(78)



Connector Seals & Cavity Plugs(8)



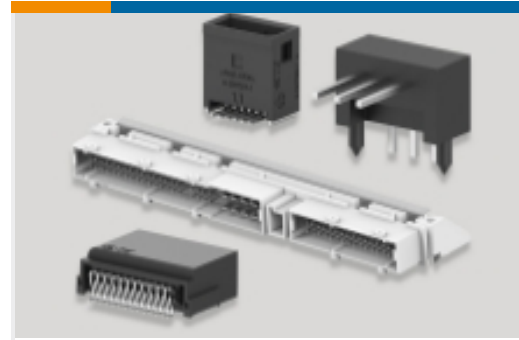
Electric, Hybrid & Fuel Cell Cable Assemblies(6)



High Voltage Wire Processing Equipment(7)

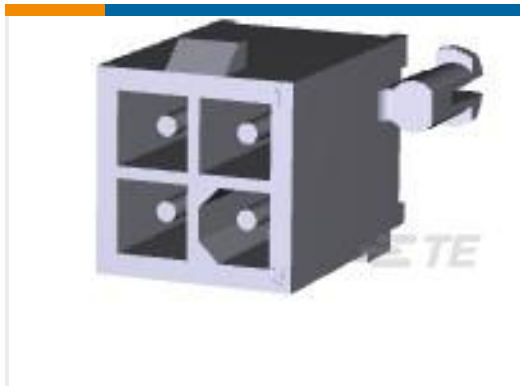


Other Automotive Connector Accessories(37)



PCB Headers & Receptacles(37)

Customers Also Bought



TE Part #1-770874-0
04P MINI UMNL HDR ASSY SN LF



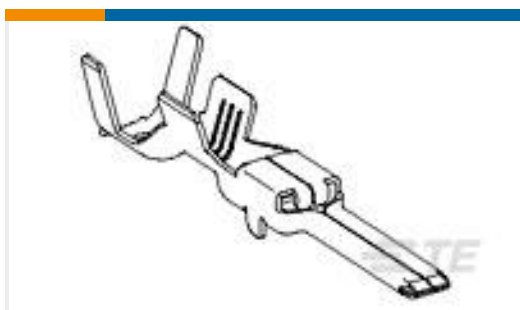
TE Part #1743161-2
CLIP HSG FOR 025 CONN 12P



TE Part #2315856-3
MSD,PLUG HSG ASSY,350A,V0



TE Part #DT06-2S-P012
PLG, 2P, BLK, N, SEAL RET



TE Part #1-1326031-1
2.8MM BLD,SEAL,12AWG



TE Part #2-2141598-2
TAB 2.8x0.8 CONTACT CF SRC Ag



TE Part #1971779-2
PTL RECEPTACLE CONTACT, 12 AWG



TE Part #4-2103177-5
PLUG ASSY, KEY E, FA,CPA, HVA280-2PHI XE



TE Part #YHVA280-3PXM-A-000
HVA280-3pxm XE,Key A



TE Part #1-1393277-8
V23076A3022C132

Documents



Product Drawings

[HEADER ASSY, Ag SHIELD, KEY E, HVA280-2P](#)

English

CAD Files

[3D PDF](#)

3D

Customer View Model

[ENG_CVM_CVM_1-2103124-5_B.2d_dxf.zip](#)

English

Customer View Model

[ENG_CVM_CVM_1-2103124-5_B.3d_igs.zip](#)

English

Customer View Model

[ENG_CVM_CVM_1-2103124-5_B.3d_stp.zip](#)

English

By downloading the CAD file I accept and agree to the [Terms and Conditions](#) of use.

Product Environmental Compliance

[Product Compliance](#)

English

[Product Compliance](#)

English

Instruction Sheets

[Instruction Sheet \(U.S.\)](#)

English