

1-2102430-2 ✓ ACTIVE

[Mezalok](#) | [AMP Mezalok](#)

TE Internal #: 1-2102430-2

PCB Mount Receptacle, Vertical, Board-to-Board, 320 Position, 1.27 mm [.05 in] Centerline, Gold, Surface Mount - Solder Ball, Signal, AMP Mezalok

[View on TE.com >](#)



Connectors > PCB Connectors > PCB Headers & Receptacles > High-speed Mezzanine Connector: Pin & Socket Connector



PCB Connector Assembly Type: **PCB Mount Receptacle**

PCB Mount Orientation: **Vertical**

Connector System: **Board-to-Board**

Number of Positions: **320**

Number of Rows: **8**

[All High-speed Mezzanine Connector: Pin & Socket Connector \(34\)](#)

Features

Product Type Features

PCB Connector Assembly Type	PCB Mount Receptacle
Connector System	Board-to-Board
Sealable	No
Connector & Contact Terminates To	Printed Circuit Board

Configuration Features

Stackable	Yes
PCB Mount Orientation	Vertical
Number of Positions	320
Number of Rows	8
Board-to-Board Configuration	Parallel

Electrical Characteristics

Dielectric Withstanding Voltage (Max)	750 VAC
Operating Voltage	250 VAC

Signal Characteristics

Data Rate	10 Gb/s
-----------	---------

Body Features

--	--



Primary Product Color	Natural
-----------------------	---------

Contact Features

Contact Layout	Matrix
Mating Tab Width	.43 mm[.017 in]
Mating Tab Thickness	.46 mm[.017 in]
Contact Shape & Form	Square
Contact Mating Area Plating Material Finish	Bright
Contact Underplating Material	Nickel
PCB Contact Termination Area Plating Material	Tin-Silver-Copper
Contact Base Material	Beryllium Copper
Contact Mating Area Plating Material	Gold
Contact Mating Area Plating Material Thickness	.076 μ m[30 μ in]
Contact Type	Socket
Contact Current Rating (Max)	1.5 A

Termination Features

Termination Method to Printed Circuit Board	Surface Mount - Solder Ball
---	-----------------------------

Mechanical Attachment

PCB Mount Alignment Type	None
PCB Mount Retention Type	Solder Ball
Mating Alignment	With
Mating Alignment Type	Polarizing Rib, Self-Aligning (Alignment Free)
PCB Mount Retention	Without
PCB Mount Alignment	Without
Connector Mounting Type	Board Mount

Housing Features

Mating Entry Location	Top
Centerline (Pitch)	1.27 mm[.05 in]
Housing Material	LCP (Liquid Crystal Polymer)

Dimensions

Row-to-Row Spacing	1.27 mm[.05 in]
Stack Height	18 mm[.709 in]
PCB Thickness (Recommended)	2.36 mm[.093 in]



Usage Conditions

Operating Temperature Range	-55 – 125 °C[-67 – 257 °F]
-----------------------------	----------------------------

Operation/Application

Assembly Process Feature	Pick and Place Cover
Circuit Application	Signal

Packaging Features

Packaging Type	Pocket Tape
----------------	-------------

Product Compliance

[For compliance documentation, visit the product page on TE.com>](#)

EU RoHS Directive 2011/65/EU	Compliant
EU ELV Directive 2000/53/EC	Compliant
China RoHS 2 Directive MIIT Order No 32, 2016	No Restricted Materials Above Threshold
EU REACH Regulation (EC) No. 1907/2006	Current ECHA Candidate List: JUNE 2023 (235) Candidate List Declared Against: JUNE 2023 (235) Does not contain REACH SVHC
Halogen Content	Low Halogen - Br, Cl, F, I < 900 ppm per homogenous material. Also BFR/CFR/PVC Free
Solder Process Capability	Reflow solder capable to 260°C

Product Compliance Disclaimer

This information is provided based on reasonable inquiry of our suppliers and represents our current actual knowledge based on the information they provided. This information is subject to change. The part numbers that TE has identified as EU RoHS compliant have a maximum concentration of 0.1% by weight in homogenous materials for lead, hexavalent chromium, mercury, PBB, PBDE, DBP, BBP, DEHP, DIBP, and 0.01% for cadmium, or qualify for an exemption to these limits as defined in the Annexes of Directive 2011/65/EU (RoHS2). Finished electrical and electronic equipment products will be CE marked as required by Directive 2011/65/EU. Components may not be CE marked. Additionally, the part numbers that TE has identified as EU ELV compliant have a maximum concentration of 0.1% by weight in homogenous materials for lead, hexavalent chromium, and mercury, and 0.01% for cadmium, or qualify for an exemption to these limits as defined in the Annexes of Directive 2000/53/EC (ELV). Regarding the REACH Regulation, the information TE provides on SVHC in articles for this part number is based on the latest European Chemicals Agency (ECHA) 'Guidance on requirements for substances in articles' posted at this URL: <https://echa.europa.eu/guidance-documents/guidance-on-reach>

Compatible Parts



TE Part # 2102429-4
Pin Assy, 320 Psn, LF, 30 AU, Mezalok

Also in the Series | AMP Mezalok



PCB Headers & Receptacles(27)

Customers Also Bought



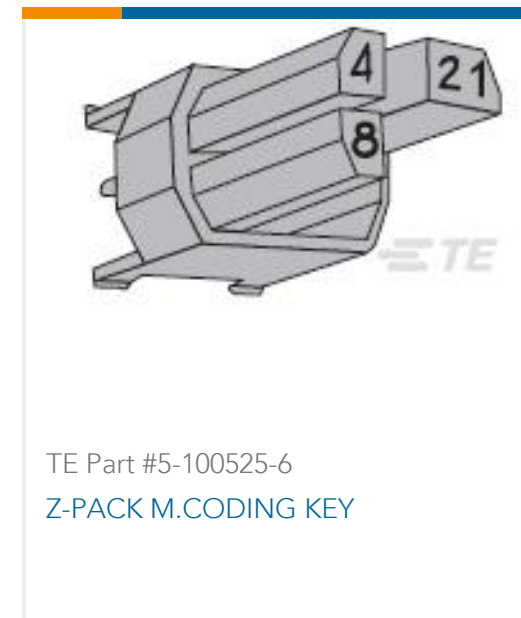
TE Part #533050-1
HDI MOUNTING EAR KIT



TE Part #3-794618-6
06P MICRO MNL ASSY R/A HDR LF



TE Part #4-794618-2
12P MICRO MNL ASSY R/A HDR LF



TE Part #5-100525-6
Z-PACK M.CODING KEY



TE Part #5-104362-9
10 MTE HDR SRST LATCH W/HLDWN

Documents

Product Drawings

Skt Assy, 320, LF, 30 AU, 18mm, Mezalok

English

CAD Files

3D PDF

3D



Customer View Model

[ENG_CVM_CVM_1-2102430-2_D.2d_dxf.zip](#)

English

Customer View Model

[ENG_CVM_CVM_1-2102430-2_D.3d_igs.zip](#)

English

Customer View Model

[ENG_CVM_CVM_1-2102430-2_D.3d_stp.zip](#)

English

By downloading the CAD file I accept and agree to the [Terms and Conditions](#) of use.

Datasheets & Catalog Pages

[Mezalok Connector Brochure](#)

English

Product Specifications

[Product Specification](#)

English