



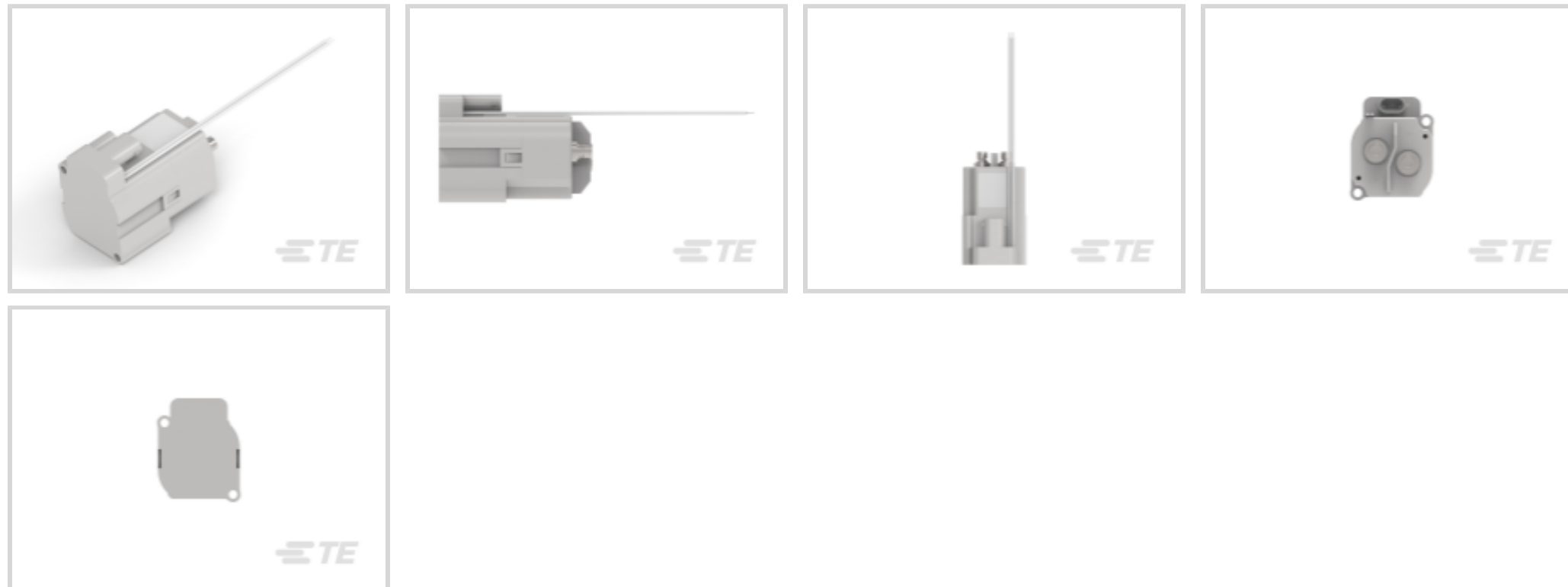
IHV

TE Internal #: 1-2071429-2

TE Internal Description: IHV350HDNFA

[View on TE.com >](#)

Relays, Contactors & Switches > Contactors > General Purpose Contactors



Contact Current Rating: **350 A**

Contact Switching Voltage (Max): **1800 VDC**

Coil Voltage Rating: **24 VDC**

Contact Arrangement: **1 Form A (NO)**

Features

Product Type Features

Molded	Yes
Arc Cover	With
Contactor Type	High Power
Terminal Configuration	Screw Terminal

Configuration Features

Auxiliary Switch Contact Arrangement	1 Form A, SPST-NO
--------------------------------------	-------------------

Electrical Characteristics

Actuating System	DC
Coil Voltage (Max)	28 VDC
Contact Switching Voltage (Max)	1800 VDC
Coil Voltage Rating	24 VDC

Contact Features

Contact Base Material	Copper
Pole Configuration	1+2
Contact Current Rating	350 A
Contact Arrangement	1 Form A (NO)

Termination Features

Coil Termination	Wire Connector
Auxiliary Contact Terminals	Wire - Connector

Mechanical Attachment

Mounting Plate	With
Mounting Type	Screw

Industry Standards

Agency Approval	UL Recognized
-----------------	---------------

Packaging Features

Packaging Method	Box
------------------	-----

Product Compliance

[For compliance documentation, visit the product page on TE.com>](#)

EU RoHS Directive 2011/65/EU	Compliant
EU ELV Directive 2000/53/EC	Compliant
China RoHS 2 Directive MIIT Order No 32, 2016	No Restricted Materials Above Threshold
EU REACH Regulation (EC) No. 1907/2006	Current ECHA Candidate List: JUNE 2023 (235) Candidate List Declared Against: JAN 2023 (233) Does not contain REACH SVHC
Halogen Content	Low Halogen - Br, Cl, F, I < 900 ppm per homogenous material. Also BFR/CFR/PVC Free
Solder Process Capability	Not reviewed for solder process capability

Product Compliance Disclaimer

This information is provided based on reasonable inquiry of our suppliers and represents our current actual knowledge based on the information they provided. This information is subject to change. The part numbers that TE has identified as EU RoHS compliant have a maximum concentration of 0.1% by weight in homogenous materials for lead, hexavalent chromium, mercury, PBB, PBDE, DBP, BBP, DEHP, DIBP, and 0.01% for cadmium, or qualify for an exemption to these limits as defined in the Annexes of Directive 2011/65/EU (RoHS2). Finished electrical and electronic equipment products will be CE marked as required by Directive 2011/65/EU. Components may not be CE marked. Additionally, the part numbers that TE has identified as EU ELV compliant have a maximum concentration of 0.1% by weight in homogenous materials for lead, hexavalent chromium, and mercury, and 0.01% for cadmium, or qualify for an exemption to these limits as defined in the Annexes of Directive 2000/53/EC (ELV). Regarding the REACH Regulation, the information TE provides on SVHC in articles for this part number is based on the latest European Chemicals Agency (ECHA) 'Guidance on requirements for substances in articles' posted at this URL: <https://echa.europa.eu/guidance-documents/guidance-on-reach>

Compatible Parts



TE Part # 1-2071429-1
IHV350HANFA

Also in the Series | IHV



General Purpose Contactors(21)

Customers Also Bought



TE Part #178803-3
Receptacle and Tab Housing: 3.81 mm pitch, 250V



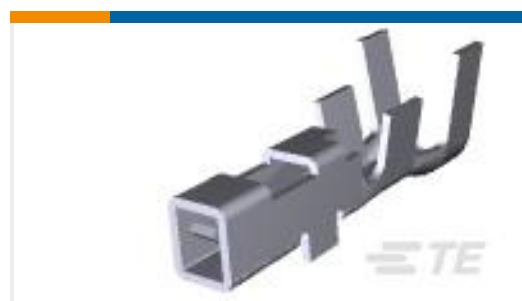
TE Part #52929-1
PIDG SP SPD 22-16COMM22-18MIL6



TE Part #175286-2
DYNAMIC D-3 TAB CONT. L AU 0.38



TE Part #1318105-1
DYNAMIC D-2000 REC CONT M



TE Part #1871731-1
DYNAMIC D1000 REC CONT 2L PRE TIN REEL

Documents

[CAD Files](#)

[3D PDF](#)

[3D](#)

[Customer View Model](#)

[ENG_CVM_CVM_1-2071429-2_A2.2d_dxf.zip](#)



English

Customer View Model

[ENG_CVM_CVM_1-2071429-2_A2.3d_igs.zip](#)

English

Customer View Model

[ENG_CVM_CVM_1-2071429-2_A2.3d_stp.zip](#)

English

By downloading the CAD file I accept and agree to the [Terms and Conditions](#) of use.

Datasheets & Catalog Pages

IHV350 SERIES CONTACTOR

English

Agency Approvals

UL

English

UL

English