



IHV

TE Internal #: 1-2071407-3

TE Internal Description: IHV50A6ANH

[View on TE.com >](#)

Relays, Contactors & Switches > Contactors > General Purpose Contactors



Contact Current Rating: **50 A**  
 Contact Switching Voltage (Max): **900 VDC**  
 Coil Voltage Rating: **48 VDC**  
 Contact Arrangement: **1 Form A (NO)**

**Features**

**Product Type Features**

Molded	Yes
Arc Cover	With
Contactor Type	High Power
Terminal Configuration	Screw Terminal

**Configuration Features**

Auxiliary Switch Contact Arrangement	Without
--------------------------------------	---------

**Electrical Characteristics**

Actuating System	DC
Coil Voltage (Max)	52 VDC
Coil Resistance	392 Ω
Contact Switching Voltage (Max)	900 VDC
Coil Voltage Rating	48 VDC

**Contact Features**

Contact Base Material	Copper
Pole Configuration	1+2
Contact Current Rating	50 A

Contact Arrangement	1 Form A (NO)
---------------------	---------------

### Termination Features

Coil Termination	Wire Connector
------------------	----------------

### Mechanical Attachment

Mounting Plate	With
----------------	------

Mounting Type	Screw
---------------	-------

### Industry Standards

Agency Approval	UL Recognized
-----------------	---------------

### Packaging Features

Packaging Method	Box
------------------	-----

## Product Compliance

[For compliance documentation, visit the product page on TE.com>](#)

EU RoHS Directive 2011/65/EU	Not Compliant
------------------------------	---------------

EU ELV Directive 2000/53/EC	Compliant
-----------------------------	-----------

China RoHS 2 Directive MIIT Order No 32, 2016	Restricted Materials Above Threshold
---	--------------------------------------

EU REACH Regulation (EC) No. 1907/2006	<p>Current ECHA Candidate List: JUNE 2023 (235)</p> <p>Candidate List Declared Against: JUNE 2023 (235)</p> <p>SVHC &gt; Threshold:</p> <p>Cd (7.5% in Component Part)</p>
--	--

**Article Safe Usage Statements:**

Use personal protective equipment as required. Do not eat, drink or smoke when using this product. Recycle if possible and dispose of the article by following all applicable governmental regulations relevant to your geographic location.

Halogen Content	Low Halogen - Br, Cl, F, I < 900 ppm per homogenous material. Also BFR/CFR/PVC Free
-----------------	---

Solder Process Capability	Not reviewed for solder process capability
---------------------------	--

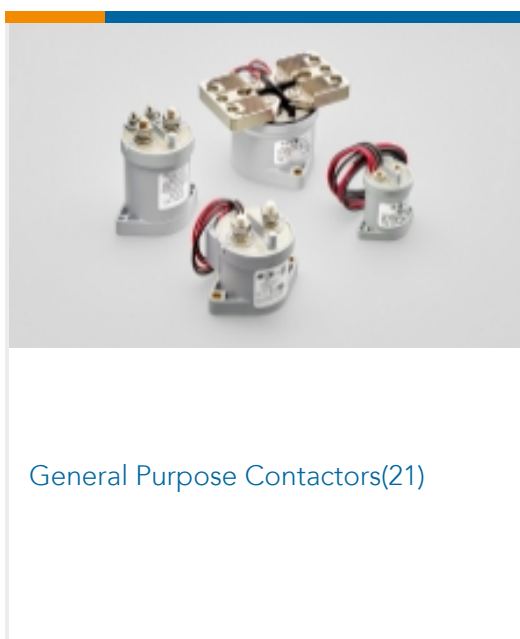
#### Product Compliance Disclaimer

This information is provided based on reasonable inquiry of our suppliers and represents our current actual knowledge based on the information they provided. This information is subject to change. The part numbers that TE has identified as EU RoHS compliant have a maximum concentration of 0.1% by weight in homogenous materials for lead, hexavalent chromium, mercury, PBB, PBDE, DBP, BBP, DEHP, DIBP, and 0.01% for cadmium, or qualify for an exemption to these limits as defined in the Annexes of Directive 2011/65/EU (RoHS2). Finished electrical and electronic equipment products will be CE marked as required by Directive 2011/65/EU. Components may not be CE marked. Additionally, the part numbers that TE has identified as EU ELV compliant have a maximum concentration of 0.1% by weight in homogenous materials for lead, hexavalent chromium, and mercury, and 0.01% for cadmium, or qualify for an exemption to these limits as defined in the Annexes of Directive 2000/53/EC (ELV). Regarding the REACH Regulation, the information TE provides on SVHC in articles for this part number is based on the latest European Chemicals Agency (ECHA) 'Guidance on requirements for substances in articles' posted at this URL: <https://echa.europa.eu/guidance-documents/guidance-on-reach>

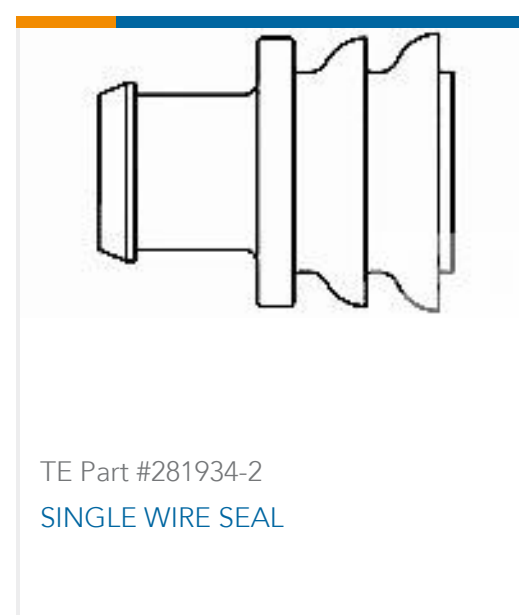
## Compatible Parts



## Also in the Series | IHV



## Customers Also Bought



## Documents

[CAD Files](#)

[3D PDF](#)

[3D](#)



Customer View Model

[ENG\\_CVM\\_CVM\\_1-2071407-3\\_A3.2d\\_dxf.zip](#)

English

Customer View Model

[ENG\\_CVM\\_CVM\\_1-2071407-3\\_A3.3d\\_igs.zip](#)

English

Customer View Model

[ENG\\_CVM\\_CVM\\_1-2071407-3\\_A3.3d\\_stp.zip](#)

English

By downloading the CAD file I accept and agree to the [Terms and Conditions](#) of use.

---

**Datasheets & Catalog Pages**

[IHV50\\_EN](#)

English

[IHV50\\_CN](#)

English

---

**Agency Approvals**

[CQC\\_CERT\\_2017010304992699\\_C1](#)

English