

1-200833-1 ✓ ACTIVE

AMP | AMP M Series

TE Internal #: 1-200833-1

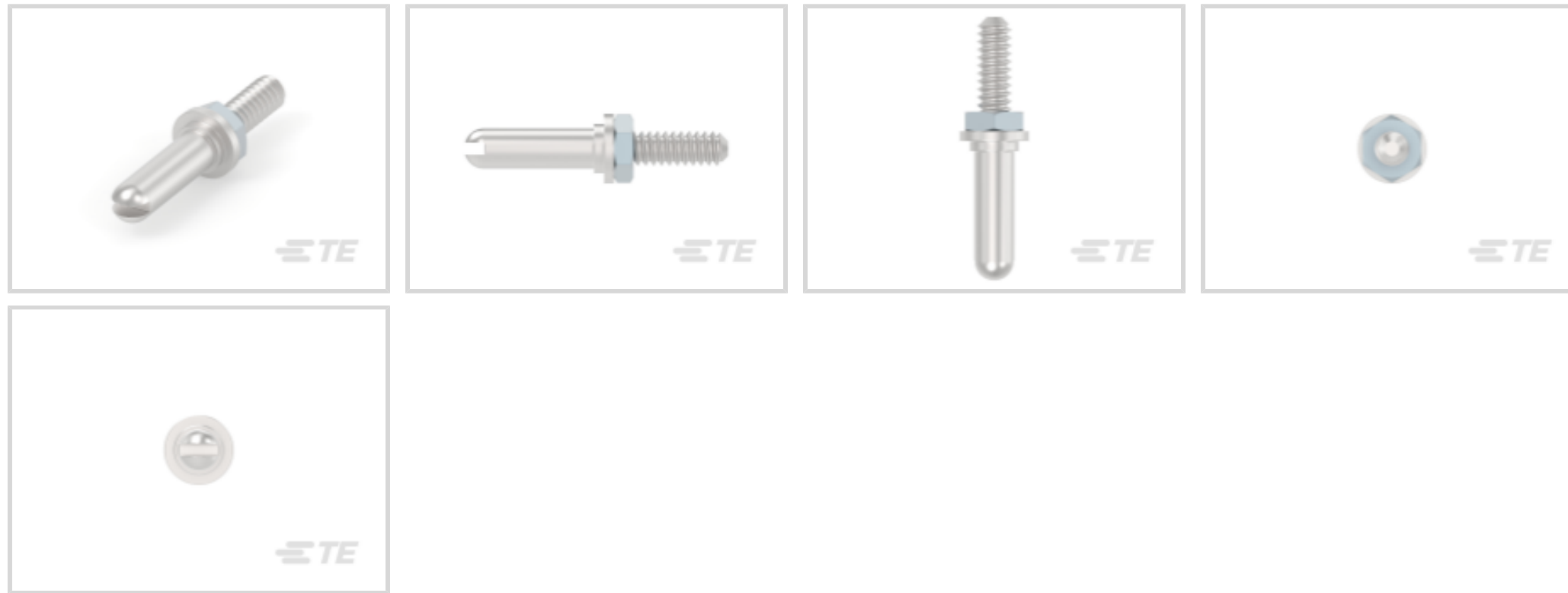
Rectangular Connector Hardware, Guide Pin Kit, 34 / 20 / 16

Position, -55 – 150 °C [-67 – 302 °F], AMP M Series

[View on TE.com >](#)



Connectors > Rectangular Connectors > Rectangular Connector Accessories > Rectangular Connector Hardware



Connector Hardware Type: **Guide Pin Kit**

Guide Pin/Socket Type: **Corner**

Number of Positions: **16, 20, 34, 42, 50**

Operating Temperature Range: **-55 – 150 °C [-67 – 302 °F]**

Features

Configuration Features

Number of Positions	16, 20, 34, 42, 50
---------------------	--------------------

Body Features

Primary Product Material	Stainless Steel
--------------------------	-----------------

Guide Pin/Socket Type	Corner
-----------------------	--------

Mechanical Attachment

Strain Relief	Without
---------------	---------

Mounting Hardware	Nuts and Lockwashers
-------------------	----------------------

Thread Size	4-40
-------------	------

Connector Hardware Type	Guide Pin Kit
-------------------------	---------------

Dimensions

Product Width	5.58 mm[.22 in]
---------------	-----------------

Product Length	21.08 mm[.84 in]
----------------	------------------

Product Height	5.58 mm[.22 in]
----------------	-----------------

Usage Conditions

Operating Temperature Range	-55 – 150 °C[-67 – 302 °F]
-----------------------------	----------------------------



Packaging Features

Packaging Quantity	100
Packaging Method	Bag

Product Compliance

[For compliance documentation, visit the product page on TE.com>](#)

EU RoHS Directive 2011/65/EU	Compliant
EU ELV Directive 2000/53/EC	Compliant
China RoHS 2 Directive MIIT Order No 32, 2016	No Restricted Materials Above Threshold
EU REACH Regulation (EC) No. 1907/2006	Current ECHA Candidate List: JUNE 2023 (235) Candidate List Declared Against: JAN 2022 (223) Does not contain REACH SVHC
Halogen Content	BFR/CFR/PVC Free, but Br/Cl >900 ppm in other sources.
Solder Process Capability	Not applicable for solder process capability

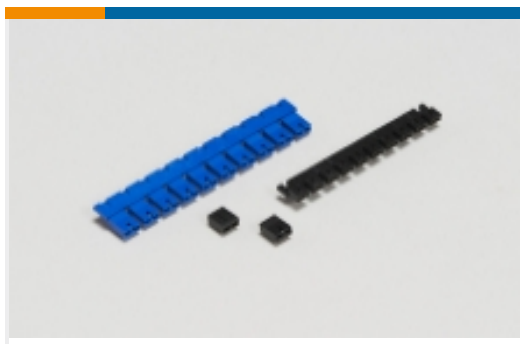
Product Compliance Disclaimer

This information is provided based on reasonable inquiry of our suppliers and represents our current actual knowledge based on the information they provided. This information is subject to change. The part numbers that TE has identified as EU RoHS compliant have a maximum concentration of 0.1% by weight in homogenous materials for lead, hexavalent chromium, mercury, PBB, PBDE, DBP, BBP, DEHP, DIBP, and 0.01% for cadmium, or qualify for an exemption to these limits as defined in the Annexes of Directive 2011/65/EU (RoHS2). Finished electrical and electronic equipment products will be CE marked as required by Directive 2011/65/EU. Components may not be CE marked. Additionally, the part numbers that TE has identified as EU ELV compliant have a maximum concentration of 0.1% by weight in homogenous materials for lead, hexavalent chromium, and mercury, and 0.01% for cadmium, or qualify for an exemption to these limits as defined in the Annexes of Directive 2000/53/EC (ELV). Regarding the REACH Regulation, the information TE provides on SVHC in articles for this part number is based on the latest European Chemicals Agency (ECHA) 'Guidance on requirements for substances in articles' posted at this URL: <https://echa.europa.eu/guidance-documents/guidance-on-reach>

Compatible Parts

 <p>TE Part # 1-200835-1 SERIES "M" MIN. RECT. GUIDE SOC</p>	 <p>TE Part # 203964-1 SER "M" GUIDE SOCKET ASSM.</p>	 <p>TE Part # 200833-4 MIN.RECT.GUIDE PIN-CORNER</p>	 <p>TE Part # 203964-5 SER "M" GUIDE SOCKET ASSM.</p>
---	--	---	--

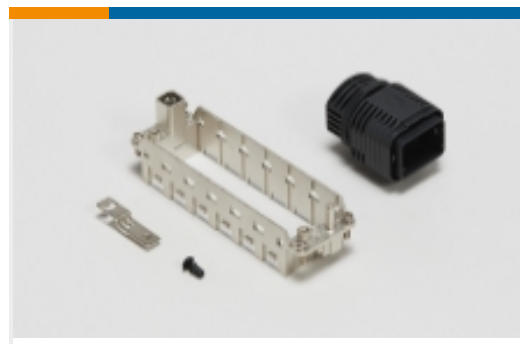
Also in the Series | AMP M Series



Board-to-Board Jumpers & Shunts(7)



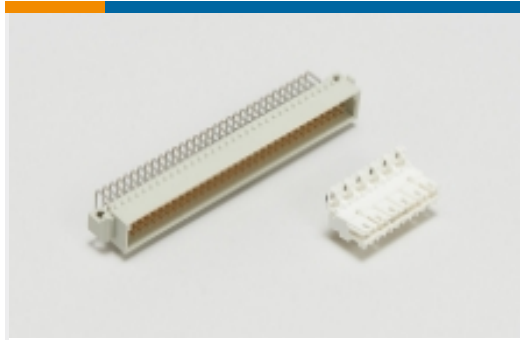
Rack & Panel Connectors(1)



Rectangular Connector Hardware(51)



Rectangular Power Connectors(66)



Standard Edge Connectors(2)

Customers Also Bought



TE Part #205690-2
 SOC. BLOCK 28 POS. SPL.



TE Part #201368-4
 75 PL. EXTERNAL PIN HOOD



TE Part #201389-1
 JACKSCREW-FEMALE -SPEC



TE Part #201413-4
 JACKSCREW ASSY. SERIES "M"



TE Part #5787617-2
 RECP ASSY, R/A, STACKED, THRU-HOLE, USB,



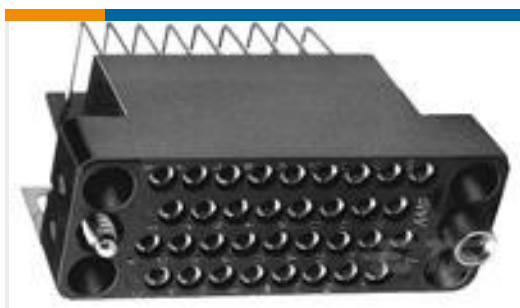
TE Part #202394-2
 50 POS. PIN HOOD



TE Part #2-1393225-3
 RY612005



TE Part #201414-4
 SERIES "M" JACK SCREW--FEMALE A



TE Part #1-213806-0
 SOCKET ASY,RA,M SRS LF



TE Part #2271500-1
 34 PLUG KIT,M-SER,CC,JS,W/HOOD

Documents



Product Drawings

SERIES "M" GUIDE PIN ST. STL.

English

CAD Files

3D PDF

3D

Customer View Model

[ENG_CVM_CVM_1-200833-1_R.2d_dxf.zip](#)

English

Customer View Model

[ENG_CVM_CVM_1-200833-1_R.3d_igs.zip](#)

English

Customer View Model

[ENG_CVM_CVM_1-200833-1_R.3d_stp.zip](#)

English

By downloading the CAD file I accept and agree to the [Terms and Conditions](#) of use.

Datasheets & Catalog Pages

M_SERIES_PIN_AND_SOCKET_CONNECTORS

English

Product Environmental Compliance

TE Material Declaration

English